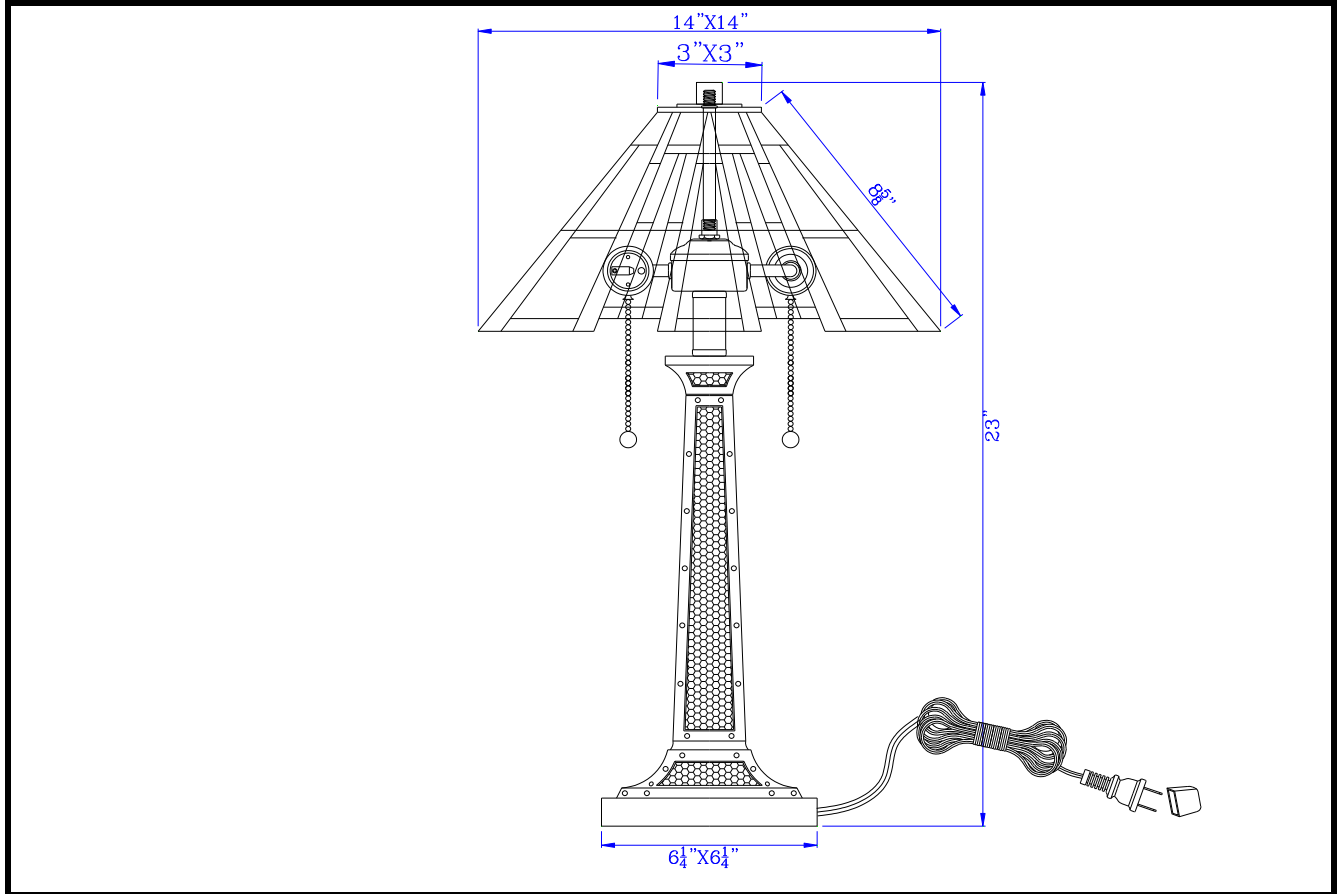




CAL LIGHTING

3625 E. Philadelphia St. Ontario CA. 91761. Tel: 909.947.5200. Fax:
909.947.5673. www.calighting.com. service@calighting.com.
Specifications subject to change without notice

Type: _____
Project: _____
Catalog No.: **BO-3100TB**
Lamp/Wattage: _____



- Model No:** BO-3100TB
- Description:** 60W x 2 metal/resin Tiffany table lamp with pull chain switches
- Material:** Resin
- Finish :** Dark Bronze
- Height:** 23"
- Base Width:** 6 1/4" X 6 1/4"
- Wattage :** 60W X 2
- Socket :** Medium Base (E26)
- Switch:** On/off
- Bulb:** Incandescent
- Wire Length:** 6'
- Wire Color:** Black
- Shade No:**
- Material:** Tiffany
- Shade size:** 3" X 3" X 14" X 14" X 8 5/8"

Certificate :  c UL us