



# CAL LIGHTING

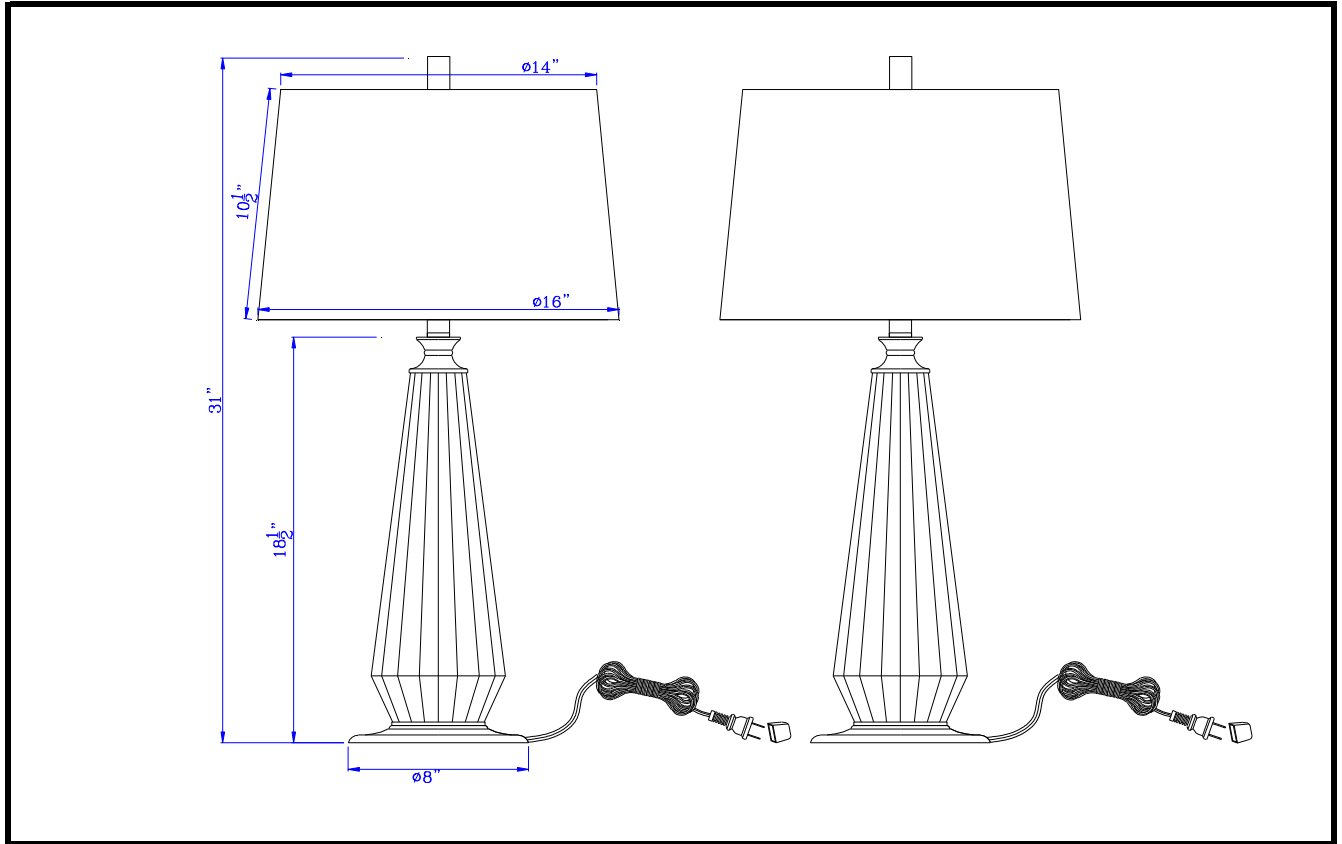
3625 E. Philadelphia St. Ontario CA. 91761. Tel: 909.947.5200. Fax: 909.947.5673. www.calighting.com. service@calighting.com.  
Specifications subject to change without notice

Type: \_\_\_\_\_

Project: \_\_\_\_\_

Catalog No.: **BO-3092TB-2**

Lamp/Wattage: \_\_\_\_\_



- Model No:** BO-3092TB-2
- Description:** 150W 3 way Southington glass table lamp with taper drum fabric shade (sold as pairs)
- Material:** Metal
- Finish :** Glass/Antique Bronze
- Height:** 31"
- Base Width:** Dia.8"
- Wattage :** 150W
- Socket :** Medium Base (E26)
- Switch:** 3-Way
- Bulb:** Incandescent
- Wire Length:** 6'
- Wire Color:** Gold
- Shade No:**
- Material:** Fabric
- Shade size:** 14" X 16" X 10 1/2"
- Certificate :** 