



# CAL LIGHTING

3625 E. Philadelphia St. Ontario CA. 91761. Tel: 909.947.5200. Fax: 909.947.5673. www.calighting.com. service@calighting.com.  
Specifications subject to change without notice

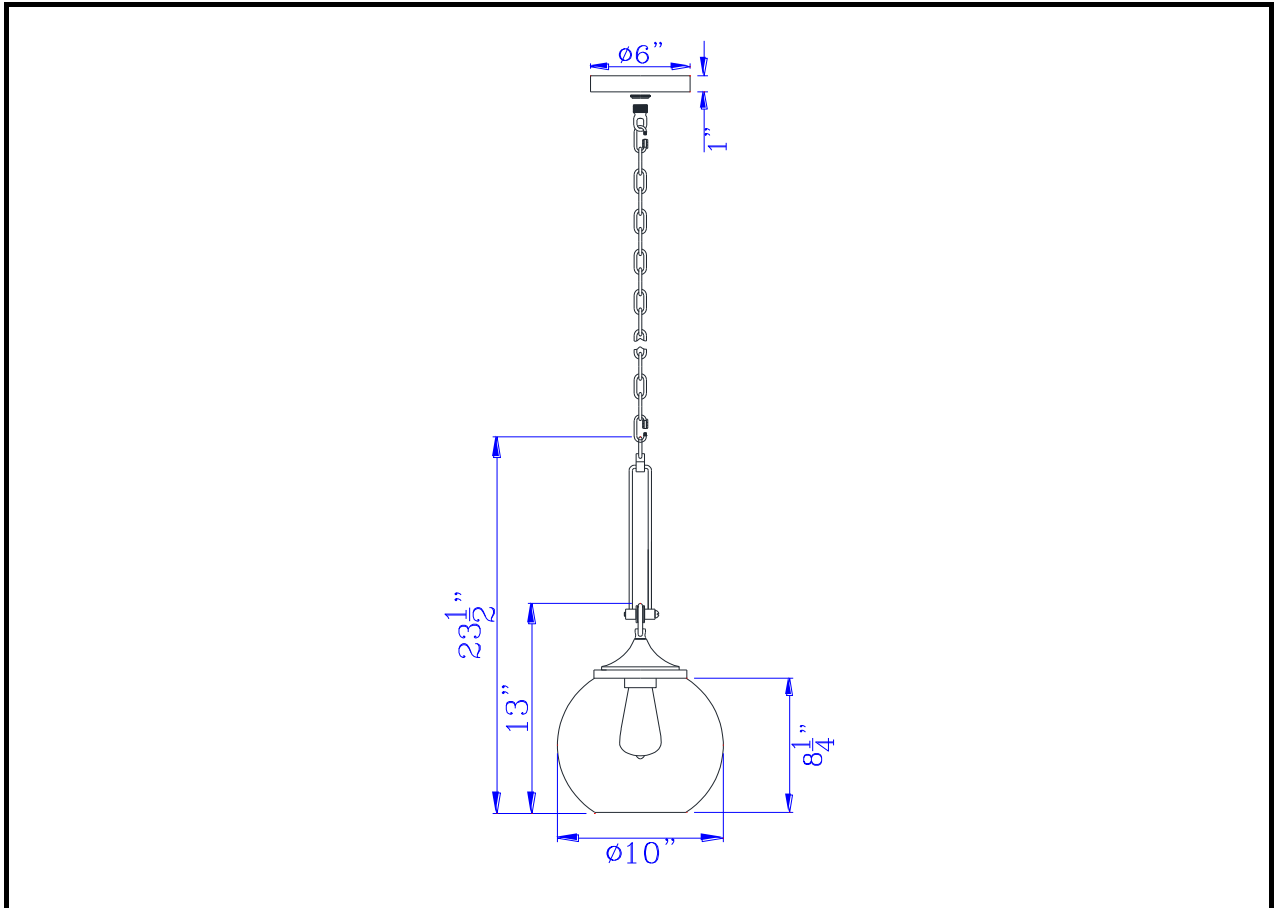
Type: \_\_\_\_\_

Project: \_\_\_\_\_

Catalog No.: **FX-3786-1**

Lamp/Wattage: \_\_\_\_\_

## Drawing:



**Model No:** FX-3786-1  
**Description:** 60W Rochelle glass pendant fixture  
**Material:** Metal/Glass  
**Finish :** Chrome  
**Height:** 23 1/2"  
**Width:** 10"  
**Reach:** 10"  
**Wattage :** 60W  
**Socket :** Medium Base (E26)  
**Bulb:** Incandescent  
**Chain Length:** 6'  
**Wire Length:** 10'  
**Wire Color:** Silver  
**Shade No:**  
**Material:** Glass  
**Shade size:** Dia 10" H 8 1/4"

**Certificate :**

