



CAL LIGHTING

3625 E. Philadelphia St. Ontario CA. 91761. Tel: 909.947.5200. Fax:
909.947.5673. www.calighting.com. service@calighting.com.
Specifications subject to change without notice

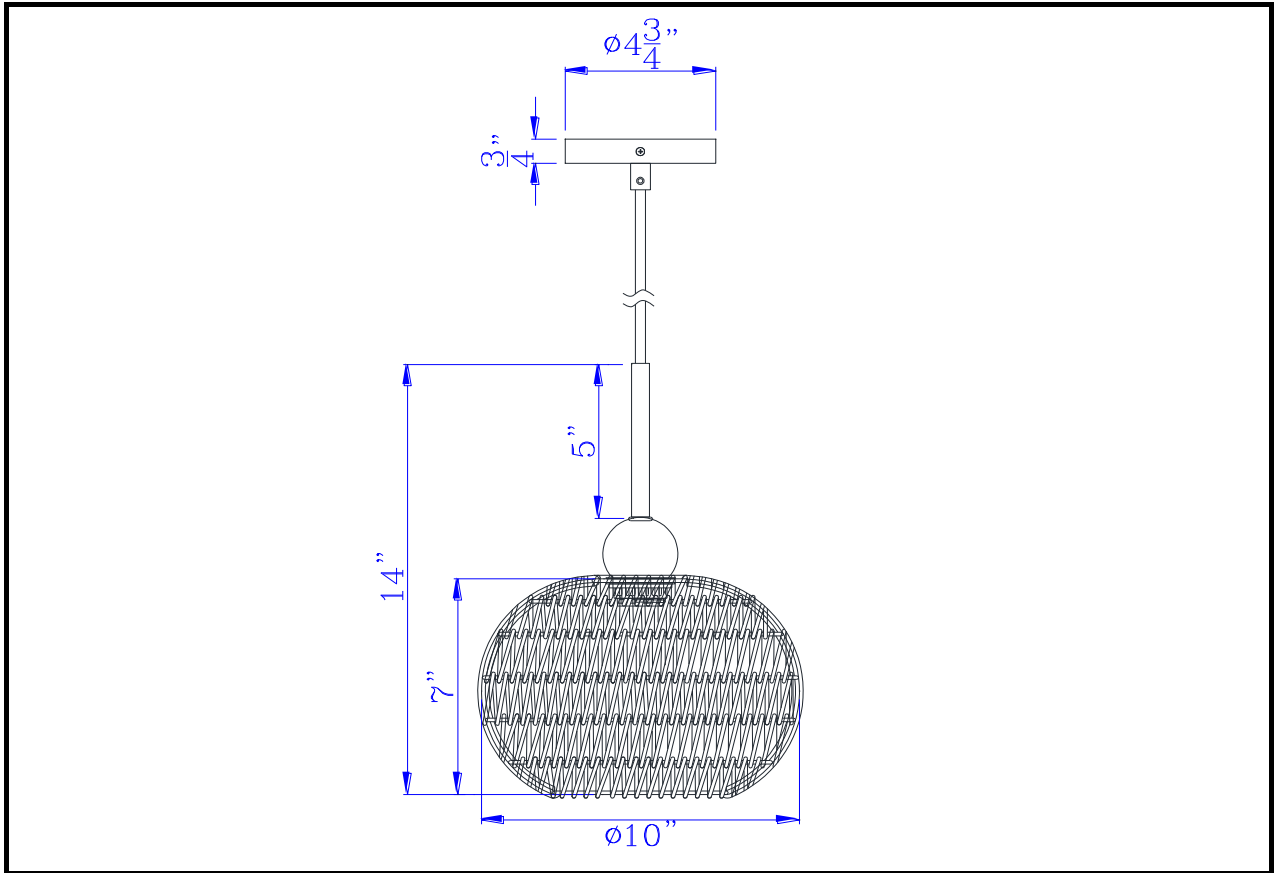
Type: _____

Project: _____

Catalog No.: **FX-3783-1**

Lamp/Wattage: _____

Drawing:



Model No: FX-3783-1
Description: 60W Medan roped pendant fixture
Material: Burlap/Metal
Finish : Burlap
Height: 14"
Width: 10"
Reach: 10"
Wattage : 60W
Socket : Medium Base (E26)
Bulb: Incandescent
Chain Length:
Wire Length: 6'
Wire Color:
Shade No:
Material: Rattan
Shade size: Dia 10" H 7"

Certificate :

