



CAL LIGHTING

3625 E. Philadelphia St. Ontario CA. 91761. Tel: 909.947.5200. Fax: 909.947.5673. www.calighting.com. service@calighting.com.
Specifications subject to change without notice

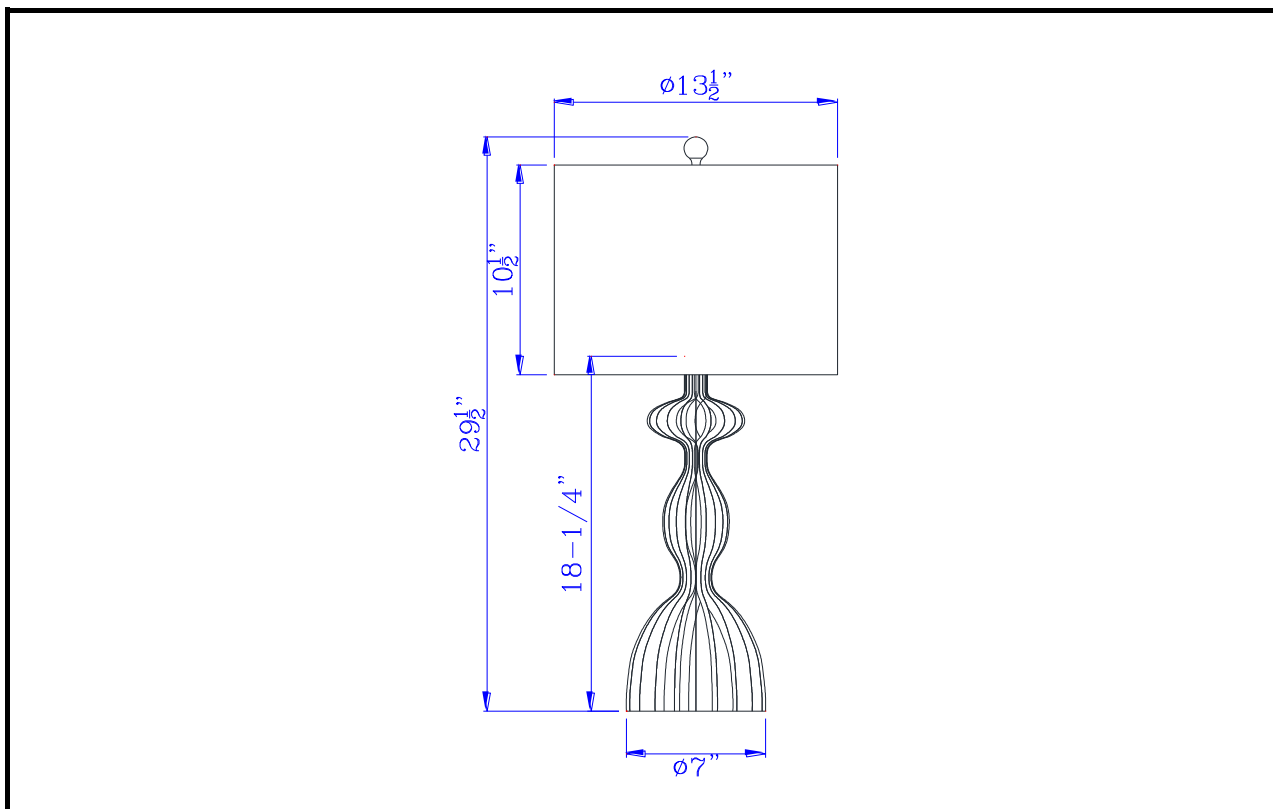
Type: _____

Project: _____

Catalog No.: _____

BO-3081TB-2

Lamp/Wattage: _____



- Model No:** BO-3081TB-2
Description: 150W 3 way Nampa resin table lamp. Priced and sold as pairs.
Material: Resin
Finish : Distressed wood
Height: 29 1/2"
Width: 13 1/2"
Reach: 13 1/2"
Base: Dia.7"
Wattage : 150W
Socket : Medium Base (E26)
Switch: 3-WAY
Bulb: Incandescent, CFL
Wire Length: 6'
Wire Color: Silver
Shade No:
Material: Fabric
Shade size: 13 1/2"X 13 1/2"X 10 1/2"
Certificate : 