



CAL LIGHTING

3625 E. Philadelphia St. Ontario CA. 91761. Tel: 909.947.5200. Fax:
909.947.5673. www.calighting.com. service@calighting.com.

Specifications subject to change without notice

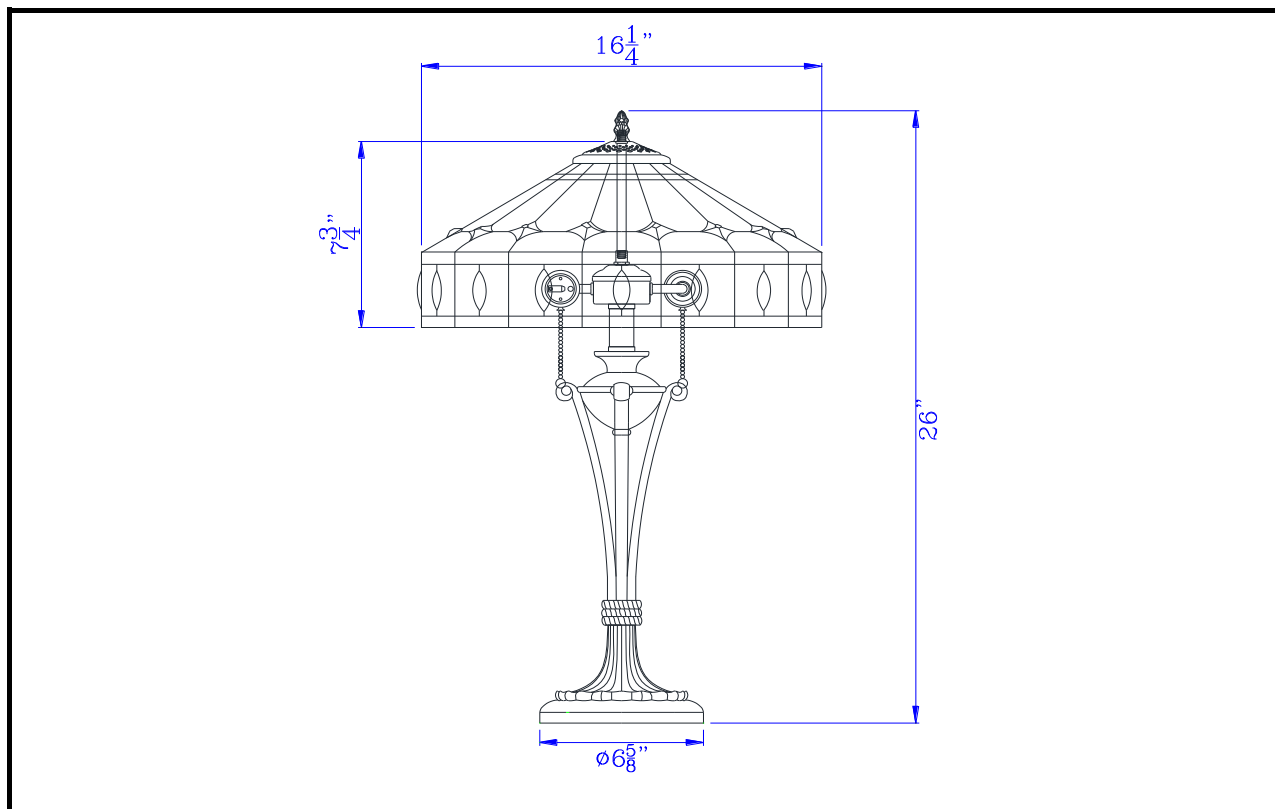
Type: _____

Project: _____

Catalog No.: _____

BO-3077TB

Lamp/Wattage: _____



- Model No:** BO-3077TB
- Description:** 60W x 2 Tiffany table lamp
- Material:** Tiffany Glass/Metal
- Finish :** Anique Bronze
- Height:** 26"
- Base Width:** Dia.6 5/8"
- Wattage :** 60W X 2
- Socket :** Medium Base (E26)
- Switch:** On/off
- Bulb:** Incandescent, CFL
- Wire Length:** 6'
- Wire Color:** Black
- Shade No:**
- Material:** Tiffany
- Shade size:** Dia.16 1/4" H 7 3/4"

Certificate : 