



# CAL LIGHTING

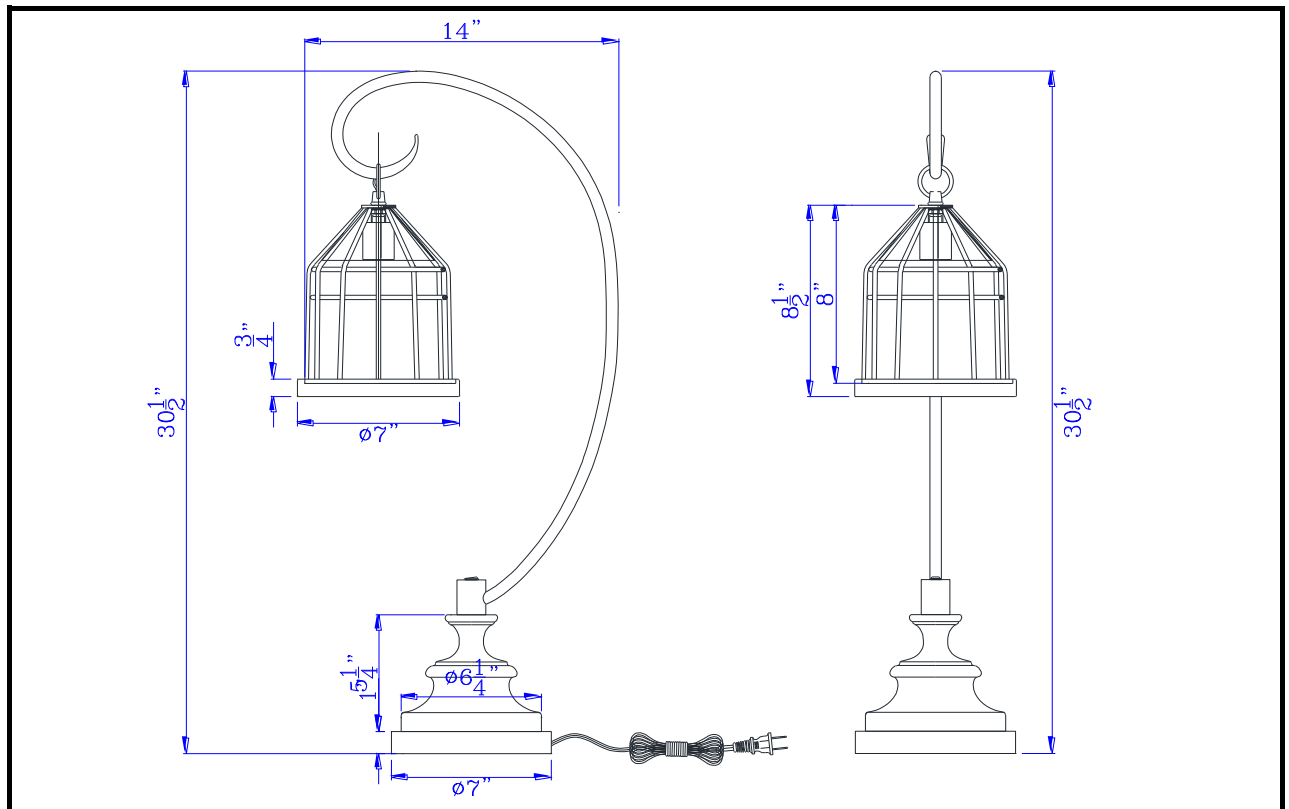
3625 E. Philadelphia St. Ontario CA. 91761. Tel: 909.947.5200. Fax: 909.947.5673. www.calighting.com. service@calighting.com.  
Specifications subject to change without notice

Type: \_\_\_\_\_


Project: \_\_\_\_\_

Catalog No.: **BO-3049TB**

Lamp/Wattage: \_\_\_\_\_



- Model No:** BO-3049TB
- Description:** 60W Valparaiso downbridge metal table lamp with lantern style metal and pine wood shade
- Material:** Metal/Pine wood
- Finish :** Dark Bronze
- Height:** 30 1/2"
- Reach:** 14"
- Width:** 7"
- Base:** Dia.7"
- Wattage :** 60W
- Socket :** Medium Base (E26)
- Switch:** ON/OFF Rocker
- Bulb:** Incandescent, CFL
- Wire Length:** 6'
- Wire Color:** Black
- Shade No:**
- Material:** Mesh
- Shade size:** Dia.7 H 8 1/2"

**Certificate :**  cULus