

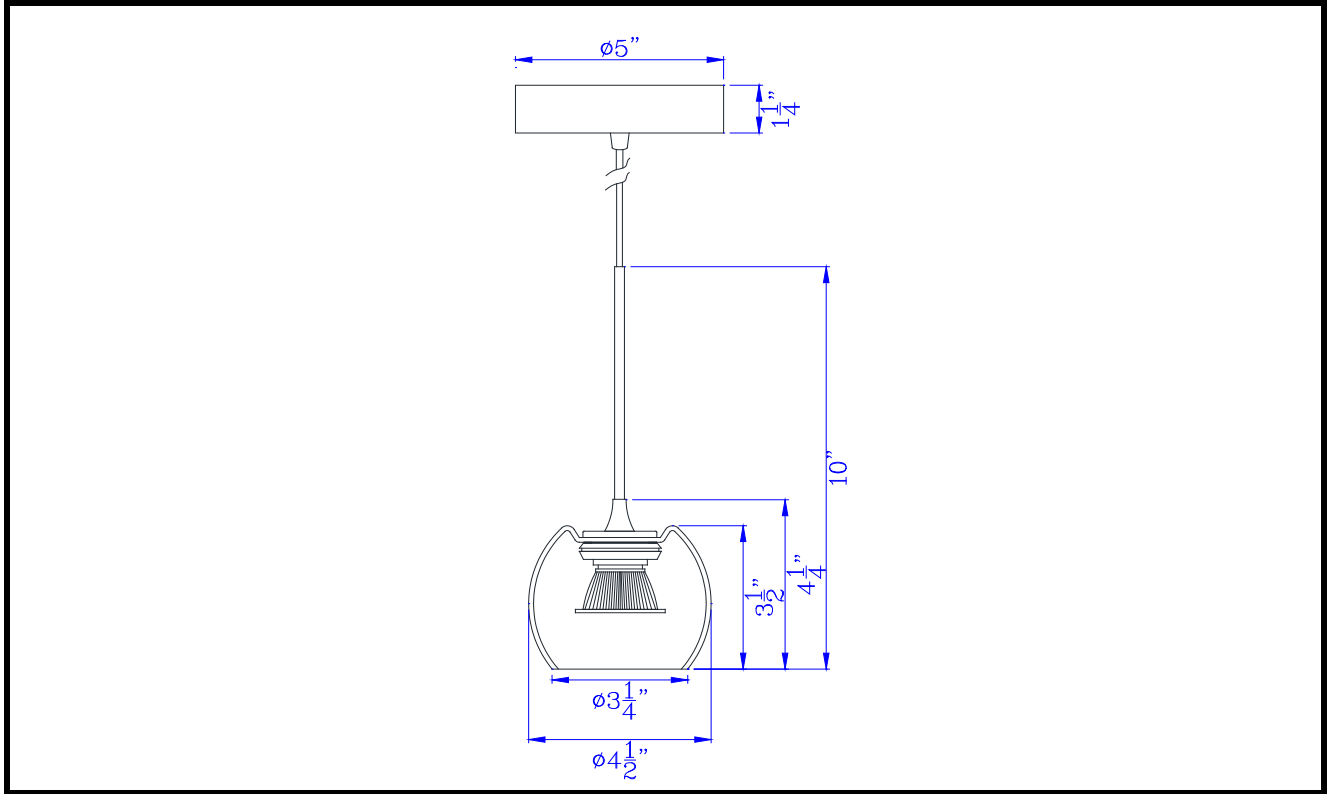


CAL LIGHTING

3625 E. Philadelphia St. Ontario CA. 91761 • Tel: 909.947.5200 • Fax:
909.947.5673 • www.calighting.com • service@calighting.com •
Specifications subject to change without notice

Type: _____
Project: _____
Catalog No.: _____
Lamp/Wattage: _____

Drawing:



Model No: UP-1121
Description: Ithaca dimmable LED glass mini pendant with amber glass
Material: Metal/Glass
Finish : Rust
Height: 10"
Width: 4 1/2"
Reach: 4 1/2"
Wattage : 8W
Socket : LED
Bulb: LED
Wire Length: 6'
Wire Color: Black
Dimming: Dimmable, DVCL-153P/SCL-153P/AYCL-153P/CTCL-153P/DVCL-253P/
GT-150/GTJ-250M (ALL ARE LUTRON BRAND)
Color Temp: 3000K
Lumen : 600
CRI : 90
Beam: 36
Efficacy: 75
Rated Life : 30,000 hours
Warranty: Three Years

Certificate :

