



# CAL LIGHTING

3625 E. Philadelphia St. Ontario CA. 91761 • Tel:  
909.947.5200 • Fax:

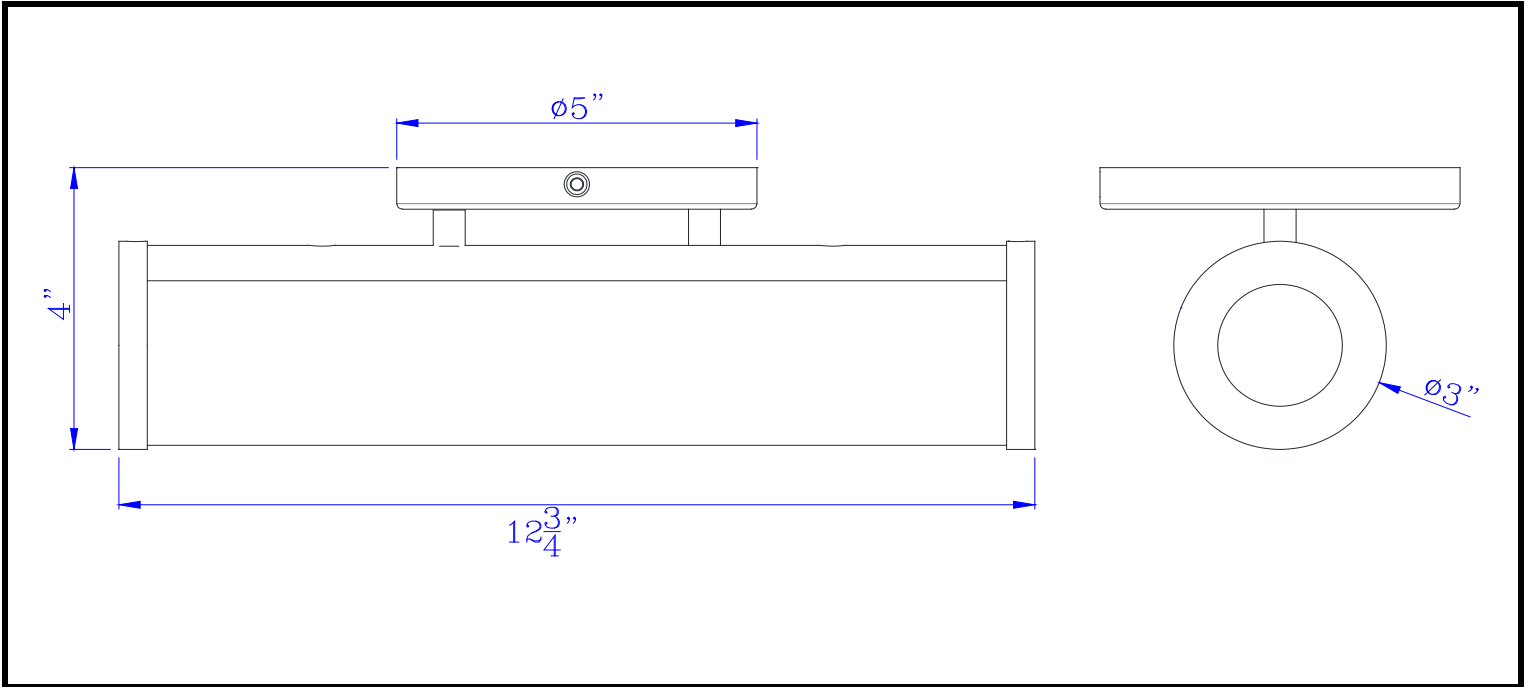
909.947.5673 • www.calighting.com • service@calighting.com •  
Specifications subject to change without notice

Type: \_\_\_\_\_

Project: \_\_\_\_\_

Catalog No.: \_\_\_\_\_

Lamp/Wattage: \_\_\_\_\_



- Model No. :** LA-8606-1  
**Description:** Brentwood dimmable LED vanity light  
**Material:** Metal/Acrylic  
**Finish :** Brushed Steel  
**Height:** 5"  
**Width:** 12 3/4"  
**Reach:** 4"  
**Voltage :** 120V  
**Wattage :** 13W  
**Dimming:** Dimmable, DVCL-153P/SCL-153P/AYCL-153P/CTCL-153P/DVCL-253P/  
GT-150/GTJ-250M (ALL ARE LUTRON BRAND)  
**Color Temp:** 3000K  
**Lumen :** 780  
**CRI :** 90  
**Beam:** /  
**Efficacy:** 60  
**Rated Life :** 30,000 hours  
**Warranty:** Three Years

**Certificate :**

