



# CAL LIGHTING

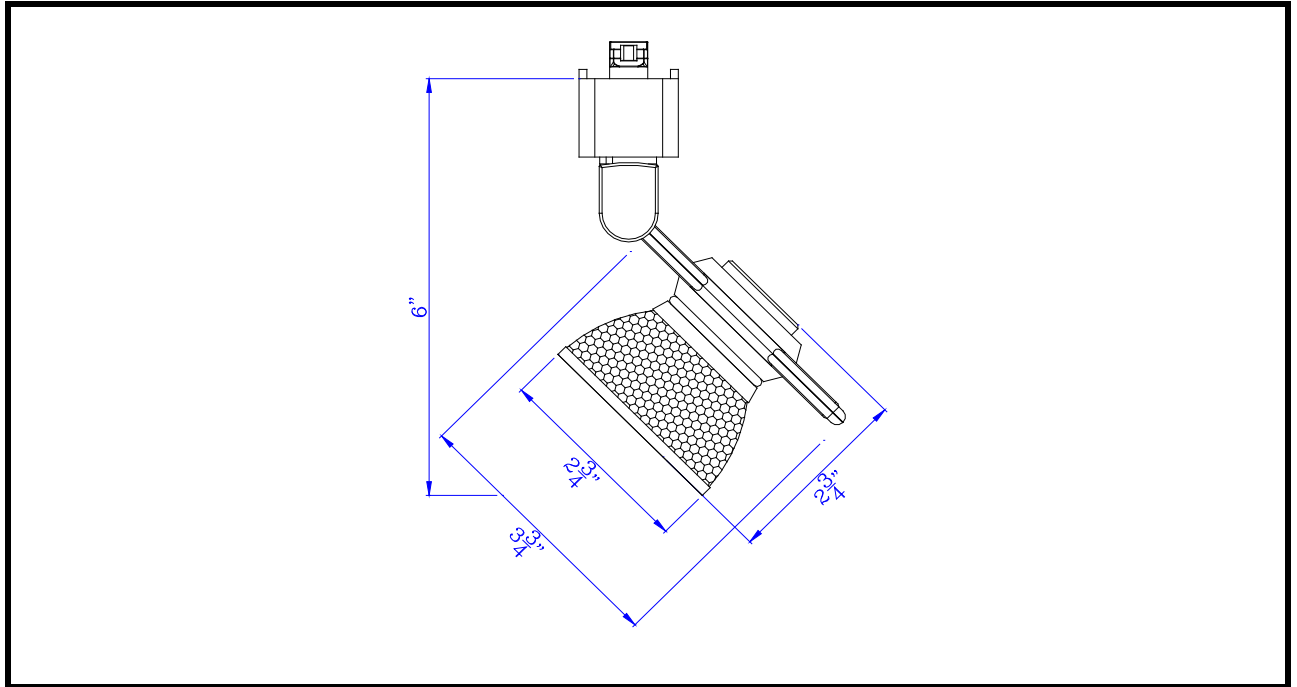
3625 E. Philadelphia St. Ontario CA. 91761 • Tel: 909.947.5200 • Fax:  
909.947.5673 • www.calighting.com • service@calighting.com •  
Specifications subject to change without notice

Type: \_\_\_\_\_

Project: \_\_\_\_\_

Catalog No.: \_\_\_\_\_

Lamp/Wattage: \_\_\_\_\_



**Model No. :** HT-999BK-MESHBK

**Description:** 12W dimmable integrated LED track fixture, 750 lumen, 90 CRI

**Material:** Metal

**Finish :** Black

**Rotation :** 355 degree

**Capability :** +90 degree from horizontal

**Voltage :** 120V

**Wattage :** 12W

**Dimming:** Dimmable,DVCL-153P/SCL-153P/AYCL-153P/CTCL-153P/DVCL-253P/  
GT-150/GTJ-250M (ALL ARE LUTRON BRAND)

**Color Temp:** 3000K

**Lumen :** 750

**CRI :** 90

**Beam:** 36 degree

**Efficacy:** 63

**Rated Life :** 30,000 hours

**Warranty:** Three Years

**Certificate :**

