



CAL LIGHTING

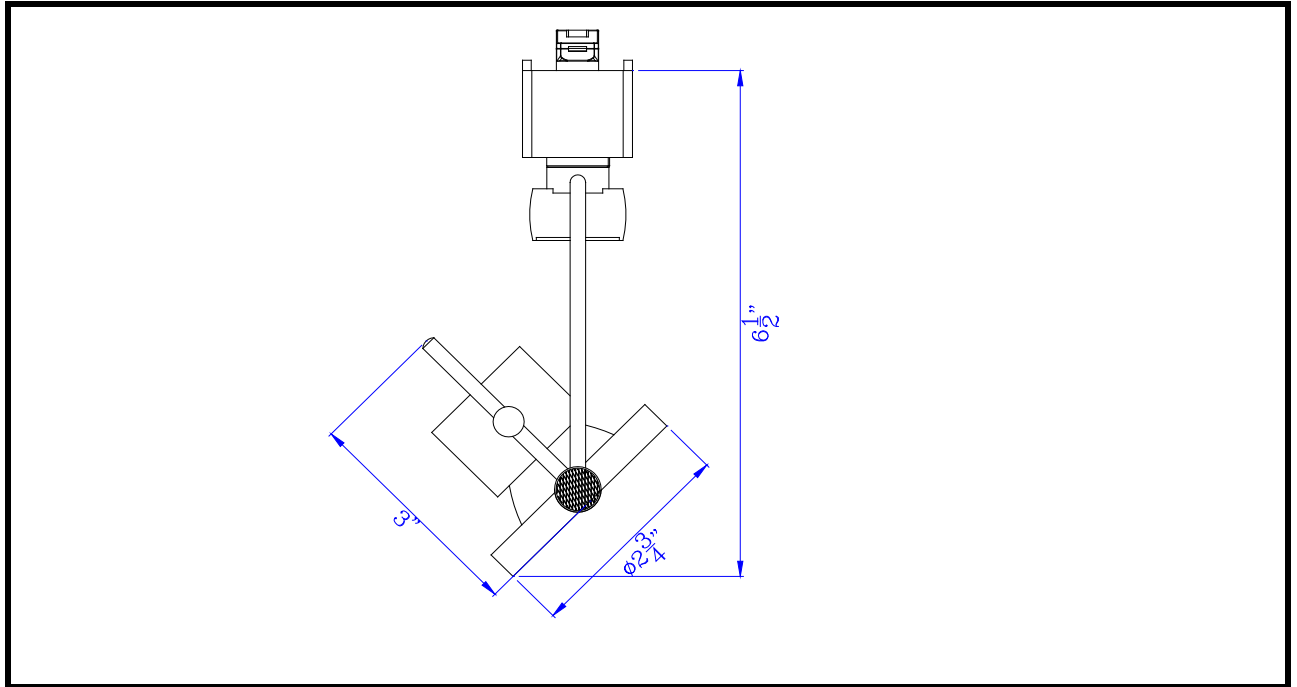
3625 E. Philadelphia St. Ontario CA. 91761 • Tel: 909.947.5200 • Fax:
909.947.5673 • www.calighting.com • service@calighting.com •
Specifications subject to change without notice

Type: _____

Project: _____

Catalog No.: _____

Lamp/Wattage: _____



Model No. : HT-623-BK

Description: 10W dimmable integrated LED track fixture, 700 lumen, 90 CRI

Material: Metal

Finish : Black

Rotation : 355 degree

Capability : +90 degree from horizontal

Voltage : 120V

Wattage : 10W

Dimming: Dimmable, DVCL-153P/SCL-153P/AYCL-153P/CTCL-153P/DVCL-253P/
GT-150/GTJ-250M (ALL ARE LUTRON BRAND)

Color Temp: 3000K

Lumen : 700

CRI : 90

Beam: 36 degree

Efficacy: 70

Rated Life : 30,000 hours

Warranty: Three Years

Certificate :

