



CAL LIGHTING

3625 E. Philadelphia St. Ontario CA. 91761 • Tel: 909.947.5200 • Fax:
909.947.5673 • www.calighting.com • service@calighting.com •
Specifications subject to change without notice

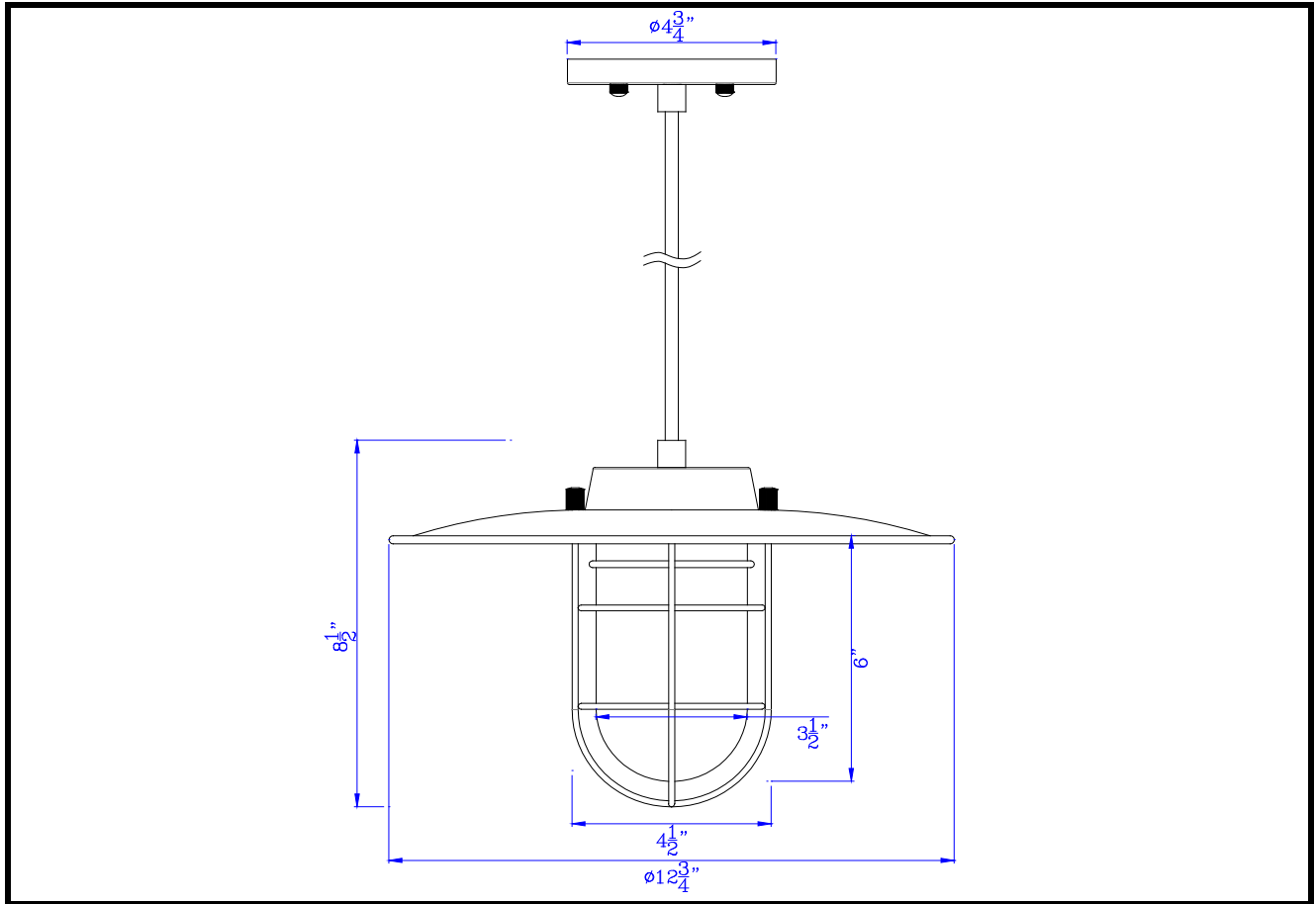
Type: _____

Project: _____

Catalog No.: _____

Lamp/Wattage: _____

Drawing:



- Model No:** FX-3724-1P
Description: Owenton old industrial metal pendant with glass shield (Edison bulb NOT included)
Material: Metal/Glass
Finish : Rust
Height: 8 1/2"
Width: 12 3/4"
Reach: 12 3/4"
Wattage : 60W
Socket : Medium Base (E26)
Bulb: Incandescent or CFL
Chain Length:
Wire Length: 6'
Wire Color: Brown
Shade No:
Material: Glass
Shade size: 3 1/2"x3 1/2"x6"

Certificate :

