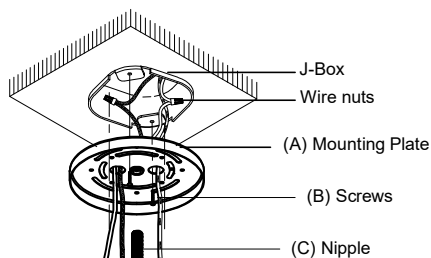


Installation Instructions

ITEM NO. : FX-3723-8P-BS FX-3723-8P-GM

**USE 7W x 8 MAX LED
Bulb (Included)**

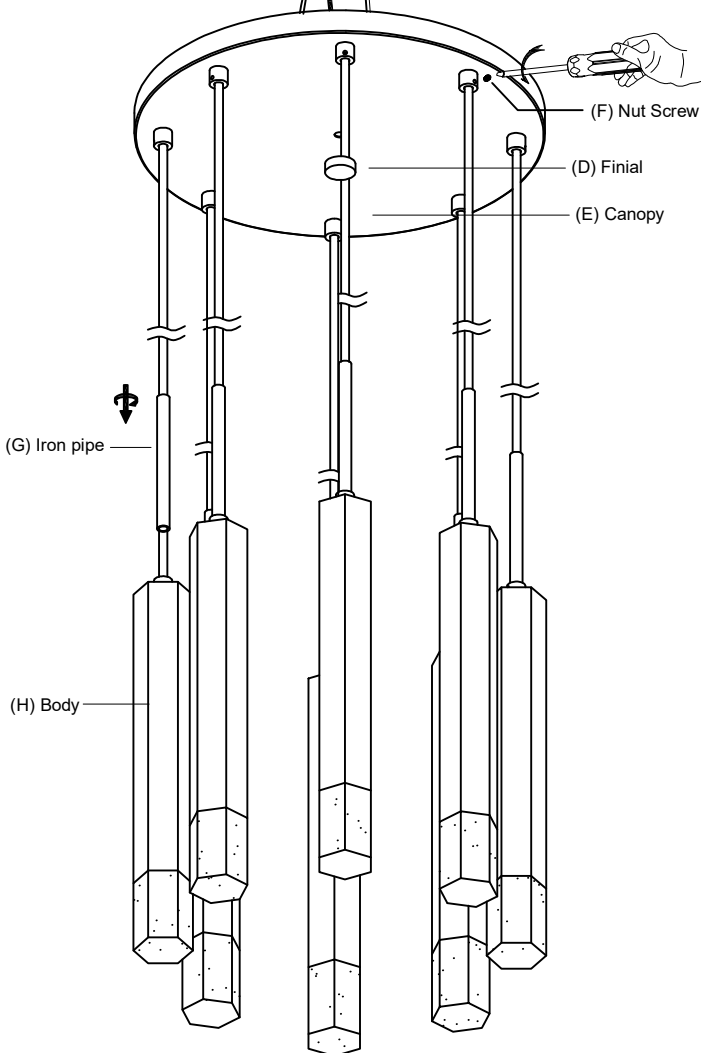


** To ensure the success of the installation, be sure to read these instructions and review the diagrams thoroughly before beginning.

** Installation must be performed by a qualified electrician.

** Turn off the main power at the circuit breaker before installation, replacing lamp or maintenance.

INSTALLATION



1. Shut off main power at circuit breaker before attempting to install this luminaire.
2. Screw the nipple into the center of the mounting plate (A), leave enough length of the thread out of mounting plate for the finial (D).
3. Install mounting plate (A) to junction box in ceiling using mounting screws (B).
4. Pull the existing electrical wires out of the junction box and make proper connections using wire nuts. Tighten the wire with the nut screw (F) using a driver.
5. Position canopy (E) over mounting plate and align nipple (C) to the center of the canopy (E). With thread protruding through the center of the canopy (E), secure it with finial (D).
6. Screw the pole (F) to the body (G).

Turn on the main power and enjoy!

This LED light provides low maintenance service with no bulbs to change.

Suggested Dimmers

This fixture is designed to operate with most standard dimmer.

Noted below is a listed of dimmers that have been tested with this fixture. This list of dimmers does not imply any guarantee or warranty of compatibility with a particular application.

Dimmers that are not listed do not imply non-compatibility.

DVCL-153P / SCL-153P / AYCL-153P / CTCL-153P /
DVCL-253P / DVSCLL-253P / SELV-300P /
GT-150/GTJ-250M (ALL ARE LUTRON BRAND)

Cleaning & Care:

To clean, wipe the fixture with a soft, dry cloth. Avoid the use of harsh or abrasive chemicals as they may damage the finish .

SAVE THESE INSTRUCTIONS FOR FUTURE REFERENCE.