



CAL LIGHTING

3625 E. Philadelphia St. Ontario CA. 91761 • Tel: 909.947.5200 • Fax:
909.947.5673 • www.calighting.com • service@calighting.com •
Specifications subject to change without notice

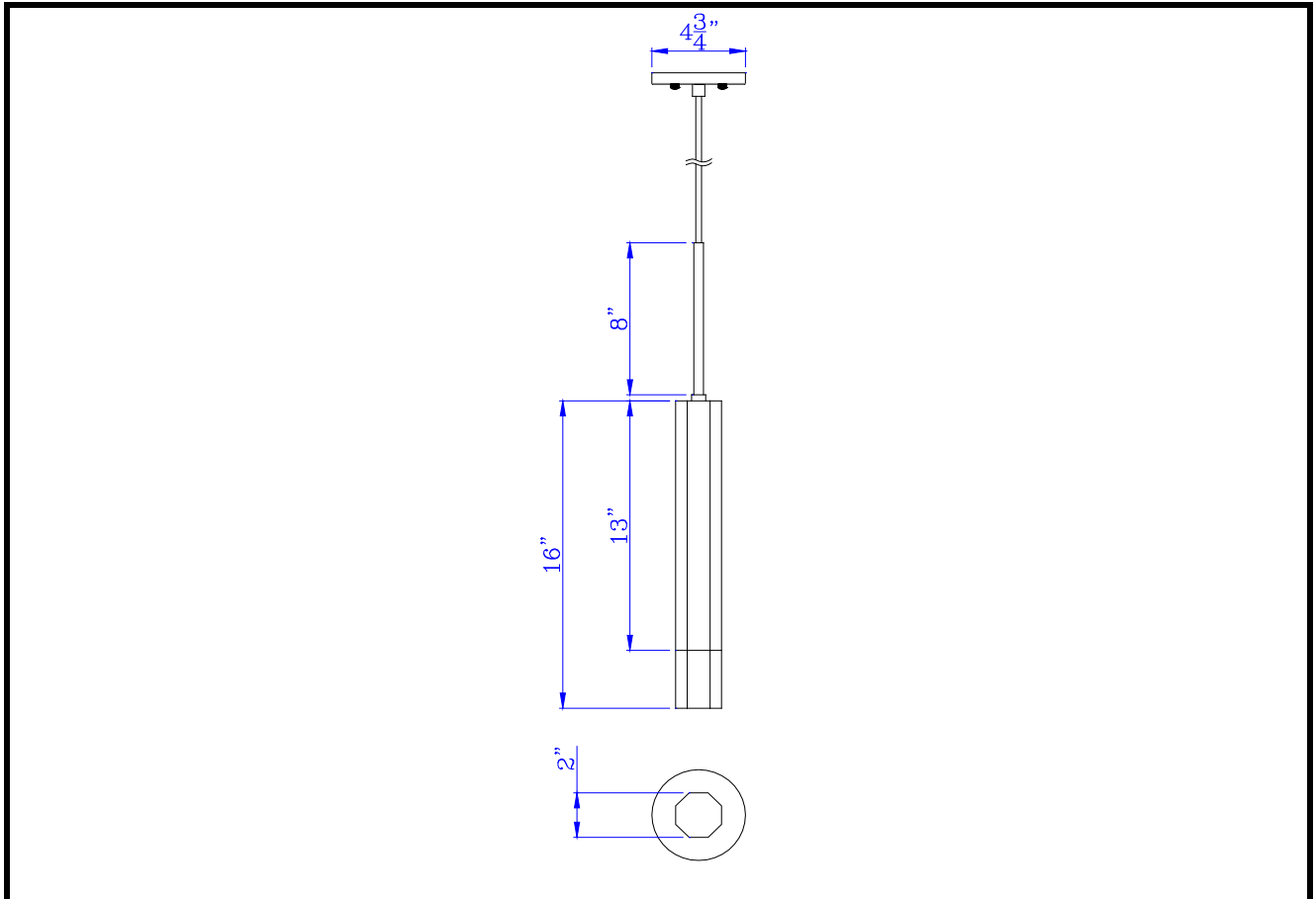
Type: _____

Project: _____

Catalog No.: _____

Lamp/Wattage: _____

Drawing:



Model No: FX-3723-1P-BS
Description: Troy LED dimmable hexagonal aluminum casted 1 light pendant with glass diffuser
Material: aluminum casted /Glass
Finish : Brushed Steel
Height: 24"
Width: 4 3/4"
Reach: 4 3/4"
Wattage : 7W
Socket : LED
Bulb: LED
Wire Length: 6'
Wire Color: Black
Color Temp: 2800K
Lumen : 380
CRI : 90
Efficacy: 50
Rated Life : 30,000 hours
Warranty: Three Years
Certificate : 