



# CAL LIGHTING

3625 E. Philadelphia St. Ontario CA. 91761 • Tel: 909.947.5200 • Fax:  
909.947.5673 • www.calighting.com • service@calighting.com •  
Specifications subject to change without notice

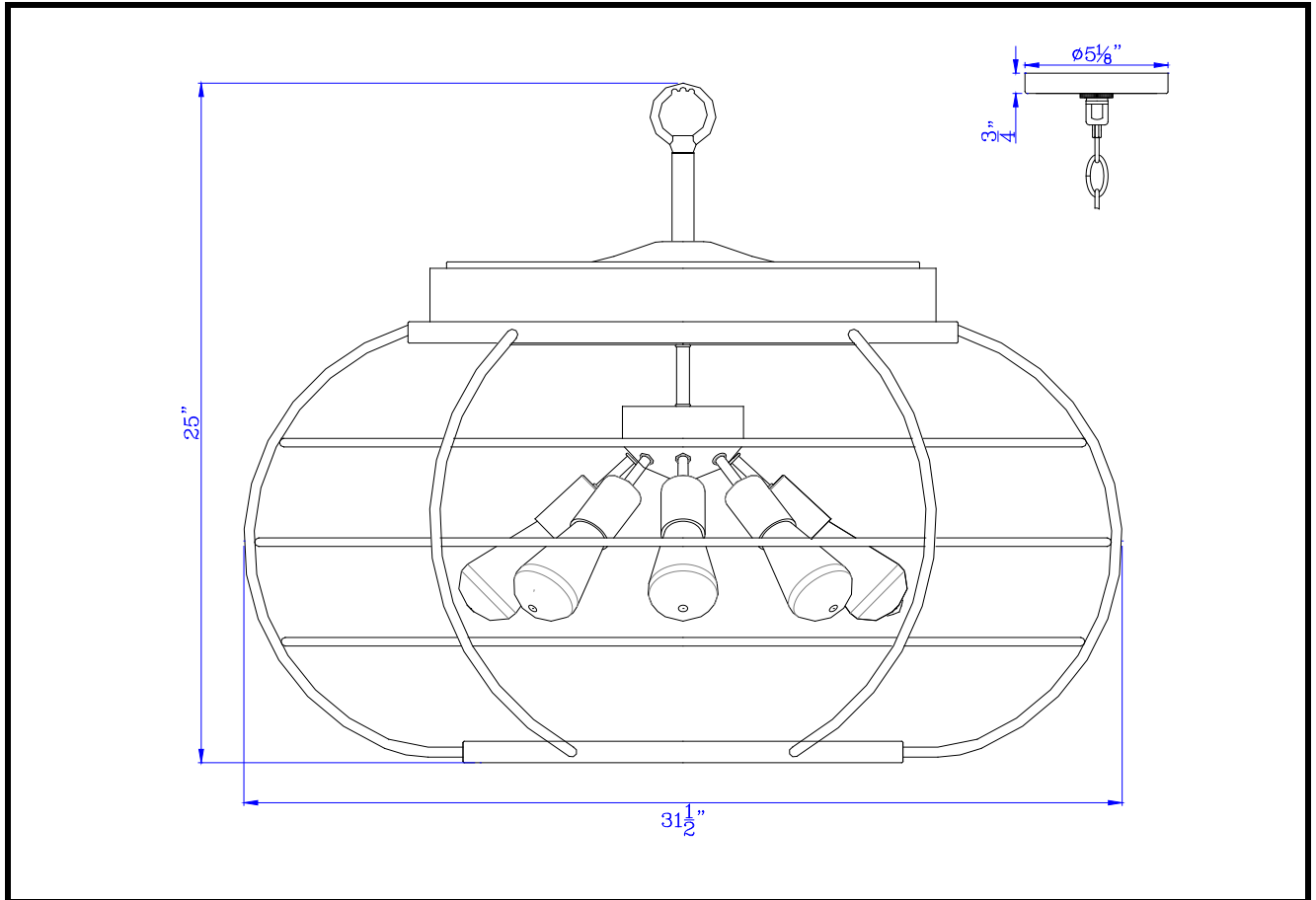
Type: \_\_\_\_\_

Project: \_\_\_\_\_

Catalog No.: \_\_\_\_\_

Lamp/Wattage: \_\_\_\_\_

Drawing:



**Model No:** FX-3719-8  
**Description:** Liberty metal chandelier (Edison bulbs NOT included)  
**Material:** Metal/Painting Wood  
**Finish :** Brushed Steel/Wood  
**Height:** 25"  
**Width:** 31 1/2"  
**Reach:** 31 1/2"  
**Wattage :** 60Wx8  
**Socket :** Medium Base ( E26 )  
**Bulb:** Incandescent or CFL  
**Chain Length:** 6'  
**Wire Length:** 10'  
**Wire Color:** Silver  
**Shade No:**  
**Material:**  
**Shade size:**  
**Certificate :** 