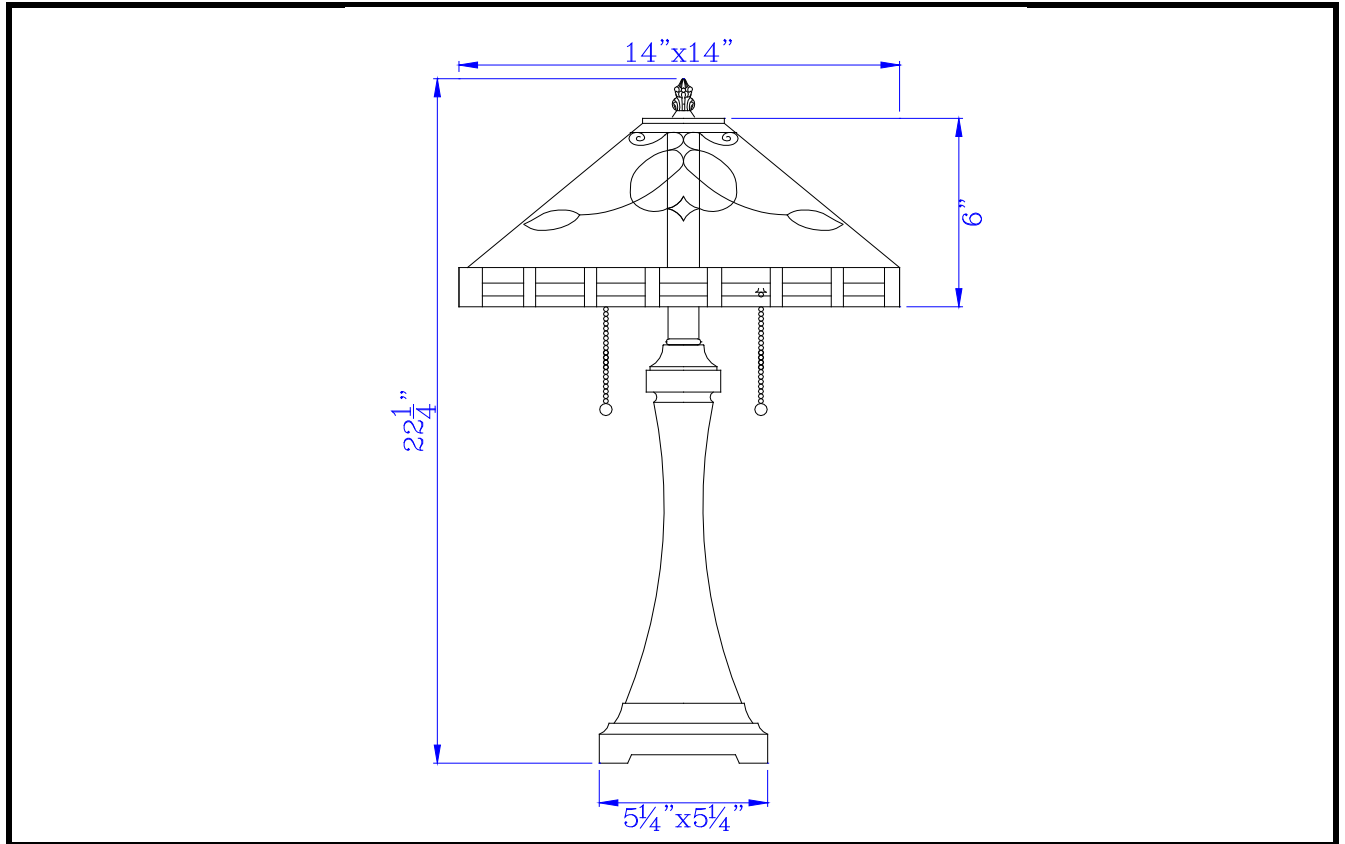




# CAL LIGHTING

3625 E. Philadelphia St. Ontario CA. 91761 • Tel: 909.947.5200 • Fax:  
909.947.5673 • www.calighting.com • service@calighting.com •  
Specifications subject to change without notice

Type: \_\_\_\_\_  
Project: \_\_\_\_\_  
Catalog No.: \_\_\_\_\_  
Lamp/Wattage: \_\_\_\_\_



**Model No:** BO-2903TB  
**Description:** Tiffany table lamp  
**Material:** Polyresin/Art glass  
**Finish :** Dark Bronze  
**Height:** 22 1/4"  
**Reach/Depth:** 14"  
**Base Width:** 5 1/4"x5 1/4"  
**Wattage :** 60Wx2  
**Socket :** Medium Base (E26)  
**Switch:** On/off pull chain  
**Bulb:** Incandescent, CFL  
**Wire Length:** 6'  
**Wire Color:** Brown  
**Shade No:**  
**Material:** Tiffany  
**Shade size:** 3"X3"X14"X14"X6"

**Certificate :**

