

ASSEMBLY INSTRUCTIONS

ITEM NO:BO-2902TB

CAREFULLY UNPACK AND PLACE ALL PARTS ON A SMOOTH SURFACE.

1.SCREW THE THREADED ROD (E) INTO LAMP BODY SECTION (F).
PUT WASHER (D) INTO THE THREADED ROD (E) .
PUT THE SHADE (C) OVER THREADED ROD (D).
THEN PUT WASHER (B) ON THE SHADE (C) TOP ,AND TIGHTEN FINIAL (A) SECURING
THE SHADE IN PLACE .

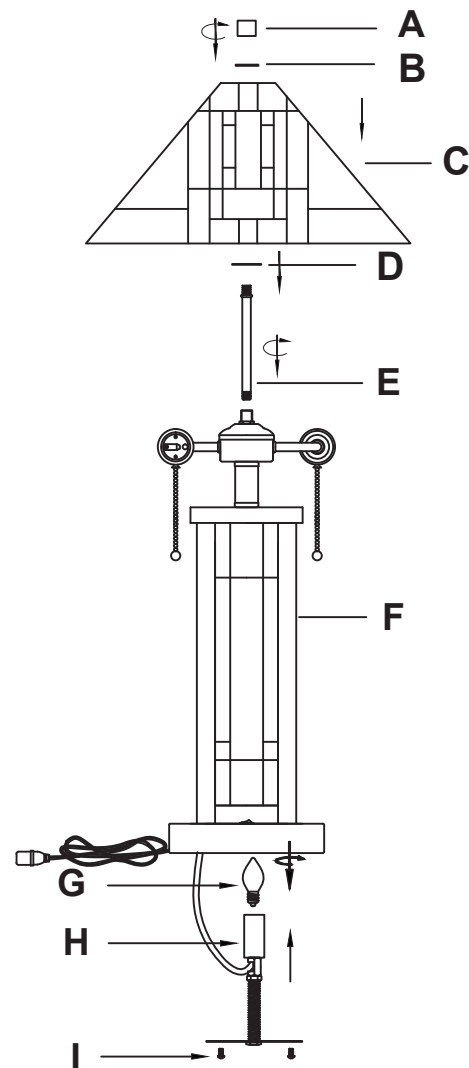
2.INSTALL BULB (NOT INCLUDED) INTO THE SOCKET.

3.INSERT THE POWER PLUG INTO AN OUTLET
AND ENJOY !!

NIGHT LIGHT REPLACEMENT:

1.LOOSE THE SCREW (I) , PULL OUT THE SOCKET
PART (H) FROM THE BOTTOM OF THE BASE ,
CHANGE THE BULB .

2. PUSH THE SOCKET PARTS BACK INTO THE
BASE , TIGHTEN WITH SCREWS (F) .



Use MAX 2 x 60 Wattage Type A bulb (bulb not included)
1 x 7W Type C bulb (bulb included)

IMPORTANT SAFETY INSTRUCTIONS:

THIS PORTABLE LAMP HAS A POLARIZED PLUG (ONE BLADE IS WIDER THAN THE OTHER) AS A FEATURE TO REDUCE THE RISK OF ELECTRIC SHOCK. THIS PLUG WILL FIT IN A POLARIZED OUTLET ONLY ONE WAY. IF IT DOES NOT FIT FULLY IN THE OUTLET, REVERSE THE PLUG. IF IT STILL DOES NOT FIT, CONTACT A QUALIFIED ELECTRICIAN. NEVER USE WITH AN EXTENSION CORD UNLESS THE PLUG CAN BE FULLY INSERTED. DO NOT ALTER THE PLUG.

SAVE THESE INSTRUCTIONS FOR FUTURE REFERENCE.