



CAL LIGHTING

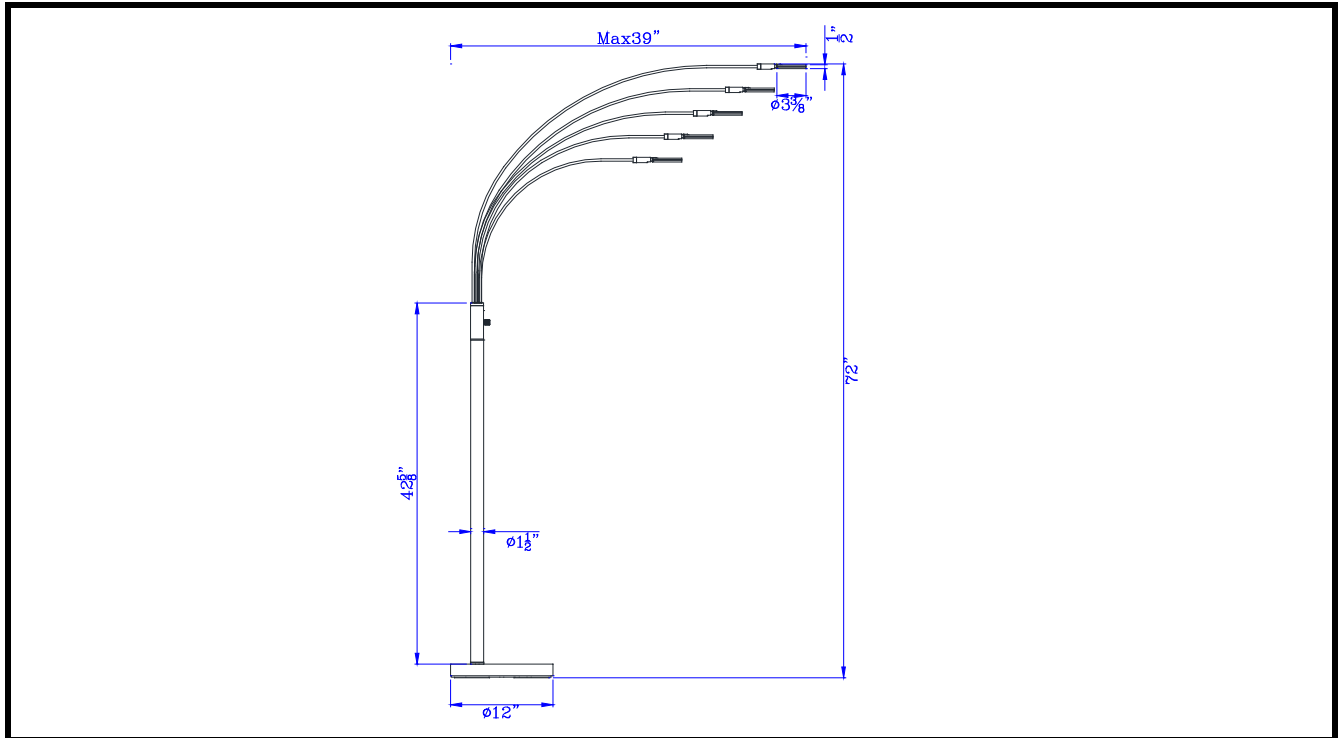
3625 E. Philadelphia St. Ontario CA. 91761 • Tel: 909.947.5200 • Fax:
909.947.5673 • www.calighting.com • service@calighting.com •
Specifications subject to change without notice

Type: _____

Project: _____

Catalog No.: _____

Lamp/Wattage: _____



- Model No:** BO-2873FL-5L-BS
Description: Cremona integrated LED metal arc floor lamp with 3 way switch
Material: Metal
Finish : Brushed Steel
Height: 72" (Max)
Reach/Depth: 39"
Base Width: Dia. 12"
Wattage : 4W X 5
Socket : LED
Switch: 3-WAY
Bulb: LED
Kelvin: 3000K
Lumen: 240 Lumen x 5
Efficacy: 60
CRI: 85
Wire Length: 6'
Wire Color: Black
Shade No:
Material:
Shade size: 3 3/8"x3 3/8"x 1/2"
Warranty: Three Years
Certificate : 