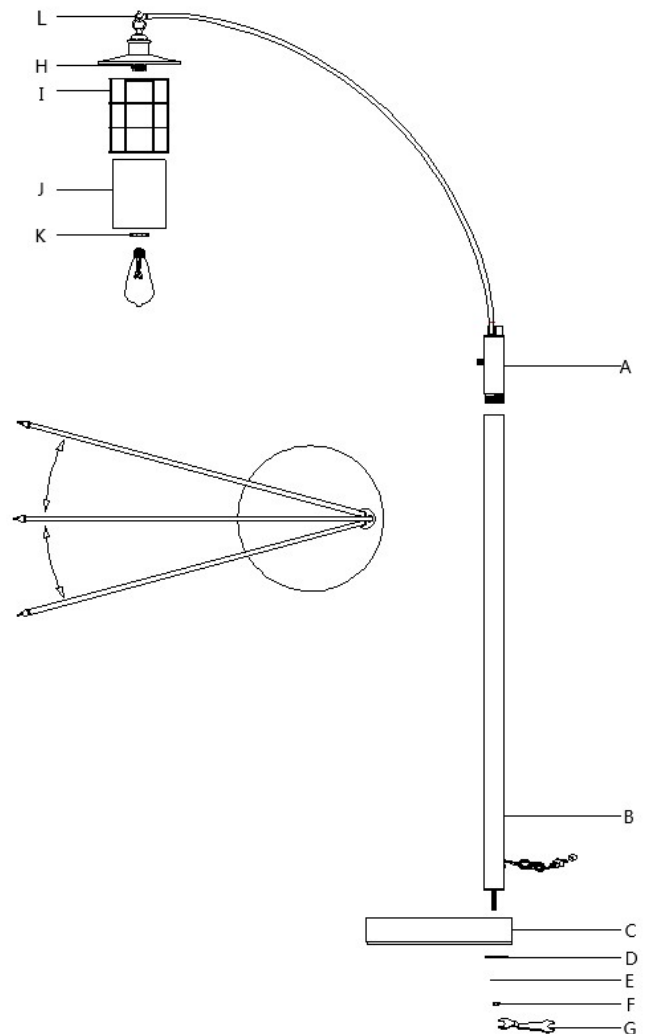


ASSEMBLY INSTRUCTIONS:

ITEM NO.: BO-2668FL-3L-DB, BO-2668FL-3L-RU

1. Carefully unpack and lay out the parts as shown illustration.
2. Fold extra wire into pole (B) and screw pole (B) to pole (A).
3. Unscrew nut (F) out of pole (B), remove washer (D),(E) , put base (C), washer (D),(E) onto pole (B) in turn, make sure the arc pole and the base at the same direction, tighten the base (C) by nut (F) with spanner (G).
4. Put mesh shade (I) and glass shade (J) onto the socket (H) tighten in with socket ring (K), adjust the arc pole as the drawing indicated. Make sure that the top ring of the socket (H) is hanged on the hook (L).
5. Install recommended bulb and insert the polarized plug into an outlet , turn on the switch and enjoy you lamp!!



Use 3*60 Wattage (Maximum) type A bulbs (bulbs included)

IMPORTANT SAFETY INSTRUCTIONS:

THIS PORTABLE LAMP HAS A POLARIZED PLUG (ONE BLADE IS WIDER THAN THE OTHER) AS A SAFETY FEATURE TO REDUCE THE RISK OF ELECTRIC SHOCK. THIS PLUG WILL FIT IN A POLARIZED OUTLET ONLY ONE WAY. IF IT DOES NOT FIT FULLY IN THE OUTLET, REVERSE THE PLUG. IF IT STILL DOES NOT FIT, CONTACT A QUALIFIED ELECTRICIAN. NEVER USE WITH AN EXTENSION CORD UNLESS THE PLUG CAN BE FULLY AND EASILY INSERTED. DO NOT ATTEMPT TO ALTER THE PLUG.

SAVE THESE INSTRUCTIONS FOR FUTURE REFERENCE.