



# CAL LIGHTING

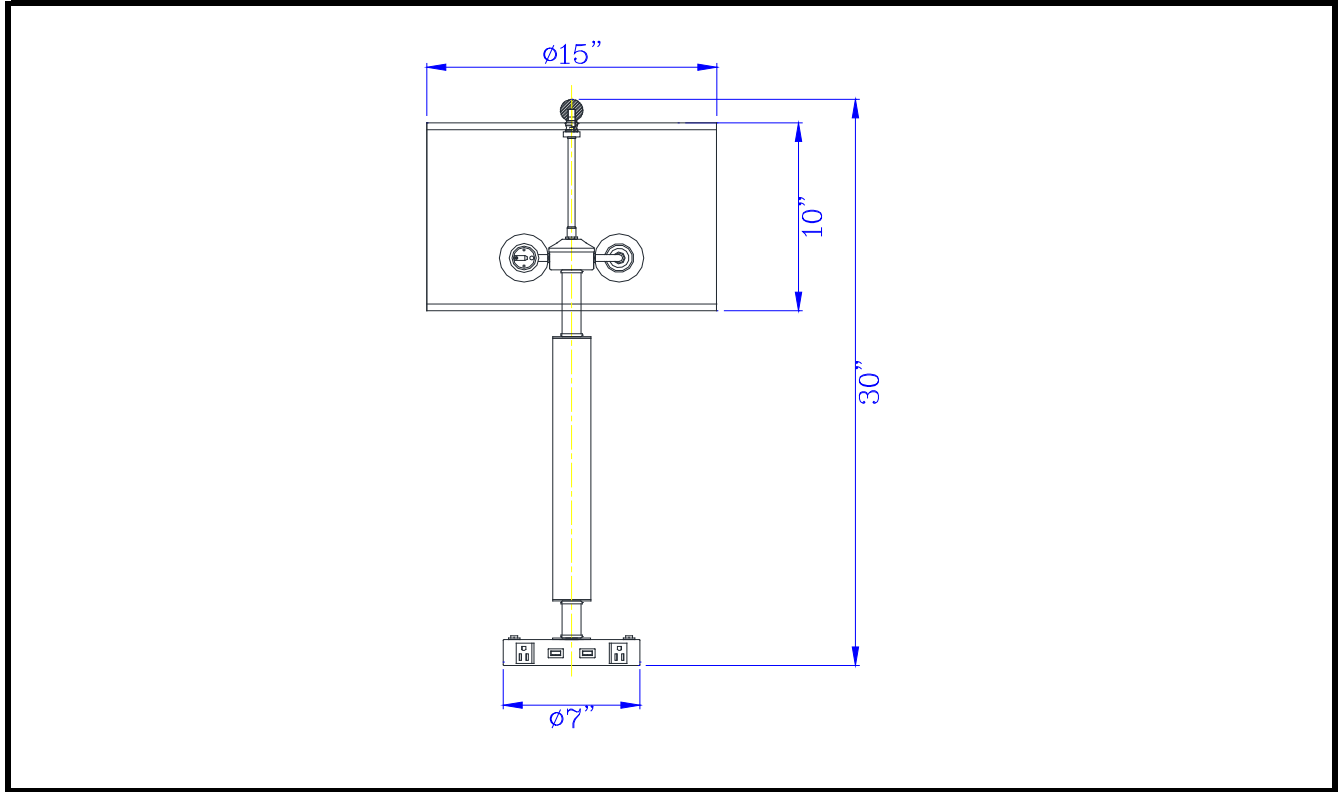
3625 E. Philadelphia St. Ontario CA. 91761 • Tel: 909.947.5200 • Fax:  
909.947.5673 • www.calighting.com • service@calighting.com •  
Specifications subject to change without notice

Type: \_\_\_\_\_

Project: \_\_\_\_\_

Catalog No.: \_\_\_\_\_

Lamp/Wattage: \_\_\_\_\_



- Model No:** LA-2004NS-6R-BS
- Description:** Metal Night Stand Lamp
- Material:** Metal
- Finish :** Brushed Steel
- Height:** 30"
- Reach/Depth:** 15"
- Base Width:** Dia. 7 1/8"
- Wattage :** 60Wx2
- Socket :** Medium Base
- Switch:** On/off Rocker
- Bulb:** Incandescent or CFL
- USB:** 2
- Outlet:** 2
- Wire Length:** 6'
- Wire Color:** Silver
- Shade No:**
- Material:** Fabric
- Shade size:** 15"x15"x10"
- Certificate :**

