



CAL LIGHTING

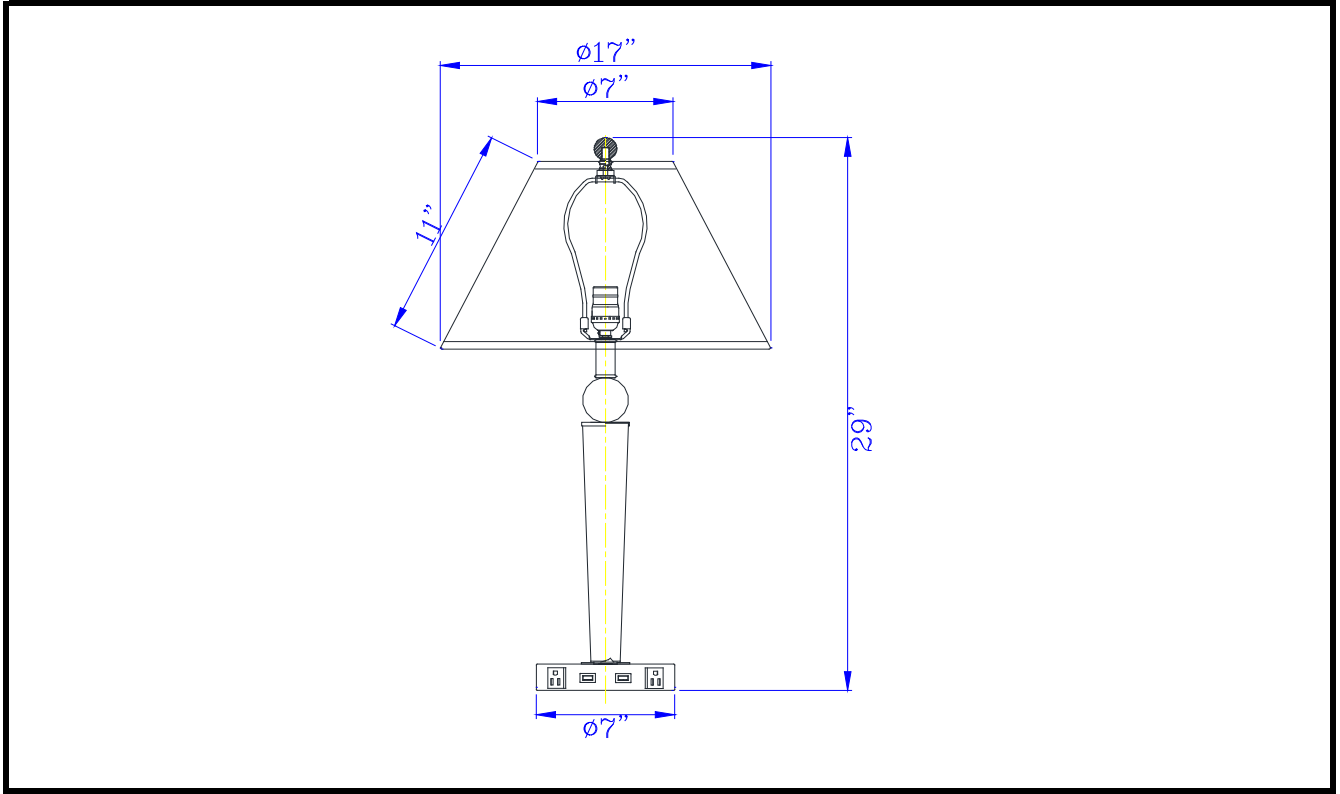
3625 E. Philadelphia St. Ontario CA. 91761 • Tel: 909.947.5200 • Fax:
909.947.5673 • www.calighting.com • service@calighting.com •
Specifications subject to change without notice

Type: _____

Project: _____

Catalog No.: _____

Lamp/Wattage: _____



- Model No:** LA-8005NS-6R-BS
- Description:** Metal Night Stand Lamp
- Material:** Metal
- Finish :** Brushed Steel/ Espresso
- Height:** 29"
- Reach/Depth:** 11"
- Base Width:** Dia. 7 1/8"
- Wattage :** 100W
- Socket :** Medium Base
- Switch:** On/off Rocker
- Bulb:** Incandescent or CFL
- USB:** 2
- Outlet:** 2
- Wire Length:** 6'
- Wire Color:** Silver
- Shade No:** SH-1173
- Material:** Fabric
- Shade size:** 7"X17"X11"

Certificate :

