



# CAL LIGHTING

3625 E. Philadelphia St. Ontario CA. 91761 • Tel: 909.947.5200 • Fax:  
909.947.5673 • www.calighting.com • service@calighting.com •  
Specifications subject to change without notice

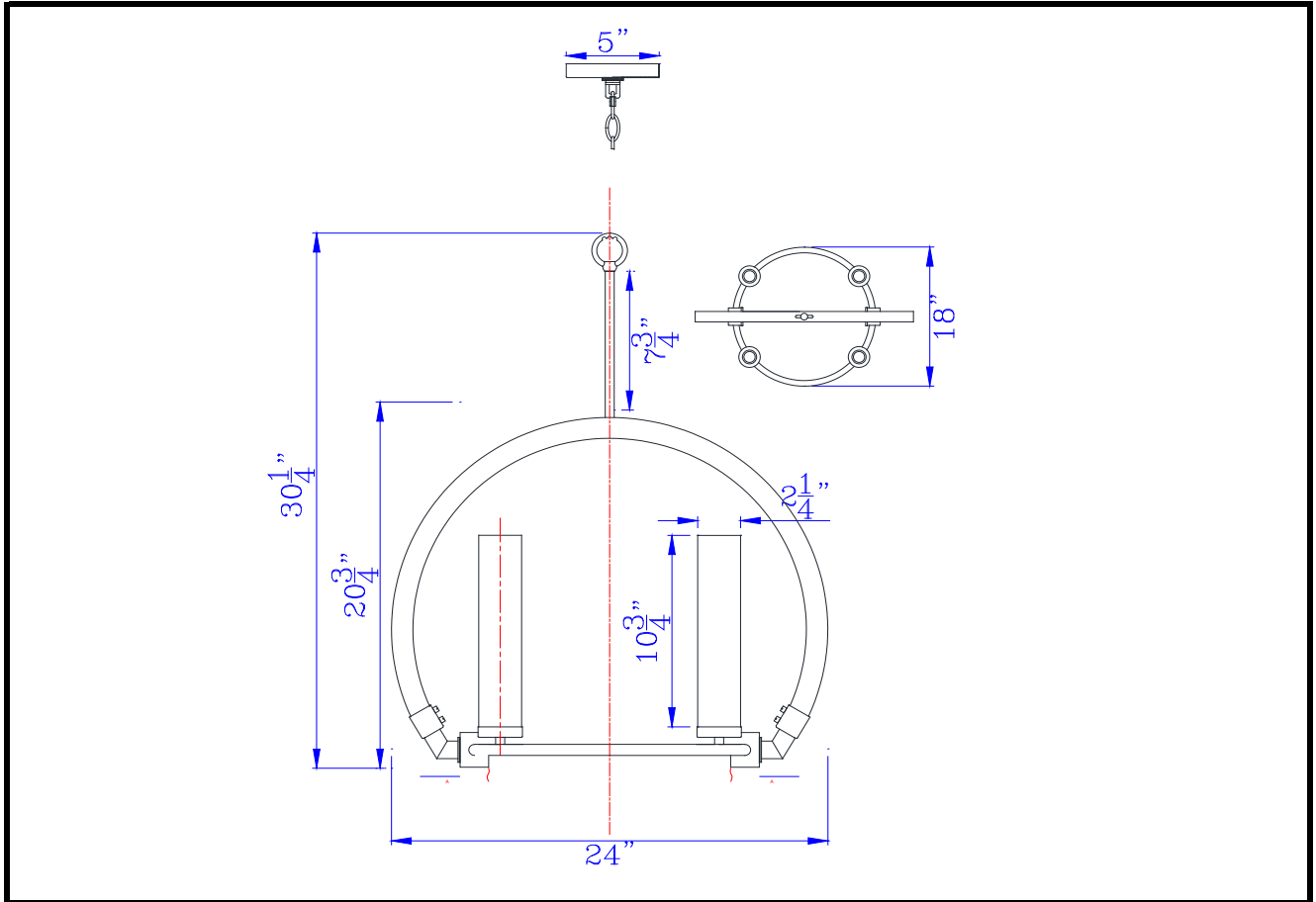
Type: \_\_\_\_\_

Project: \_\_\_\_\_

Catalog No.: \_\_\_\_\_

Lamp/Wattage: \_\_\_\_\_

Drawing:



- Model No:** FX-3691-4  
**Description:** 60W x 4 Sulmona wood/metal chandelier with glass shade (Edison Bulbs NOT included)  
**Material:** METAL/WOOD  
**Finish :** Wood/Iron  
**Height:** 30 1/4"  
**Width:** 24"  
**Reach:** 18"  
**Wattage :** 60Wx4  
**Socket :** Medium Base (E26)  
**Bulb:** Incandescent or CFL  
**Chain Length:** 6'  
**Wire Length:** 10"  
**Wire Color:** Brown  
**Shade No:** None  
**Material:** Glass  
**Shade size:** 2 1/4"x 2 1/4"x 10 3/4"

**Certificate :**

