



CAL LIGHTING

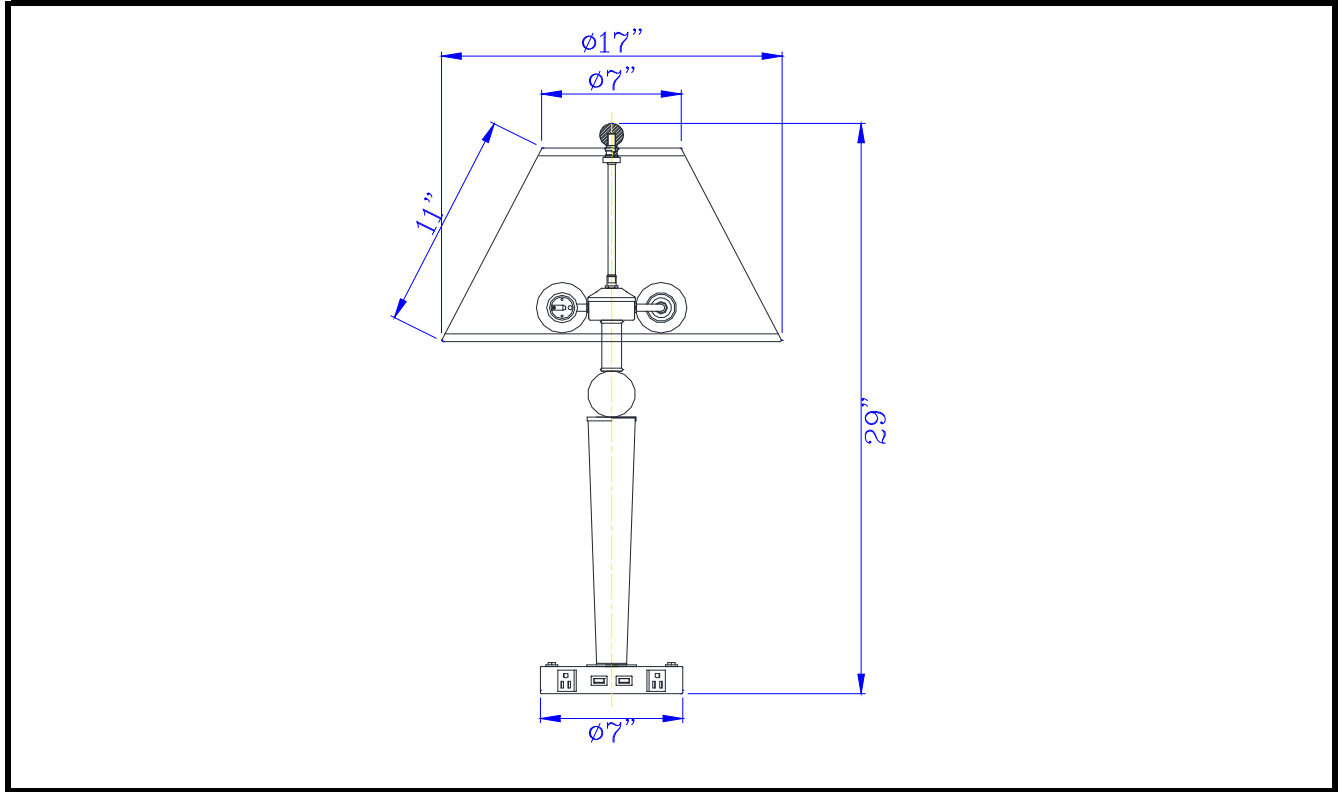
3625 E. Philadelphia St. Ontario CA. 91761 • Tel: 909.947.5200 • Fax:
909.947.5673 • www.calighting.com • service@calighting.com •
Specifications subject to change without notice

Type: _____

Project: _____

Catalog No.: _____

Lamp/Wattage: _____



Model No: LA-8005NS-7R-BS
Description: Metal Night Stand Lamp
Material: Metal
Finish : Brushed Steel/ Espresso
Height: 29"
Reach/Depth: 11"
Base Width: Dia. 7 1/8"
Wattage : 60WX2
Socket : Medium Base
Switch: On/off Rocker
Bulb: Incandescent or CFL
USB: 2
Outlet: 2
Wire Length: 6'
Wire Color: Silver
Shade No: SH-1173
Material: Fabric
Shade size: 7"X17"X11"

Certificate :

