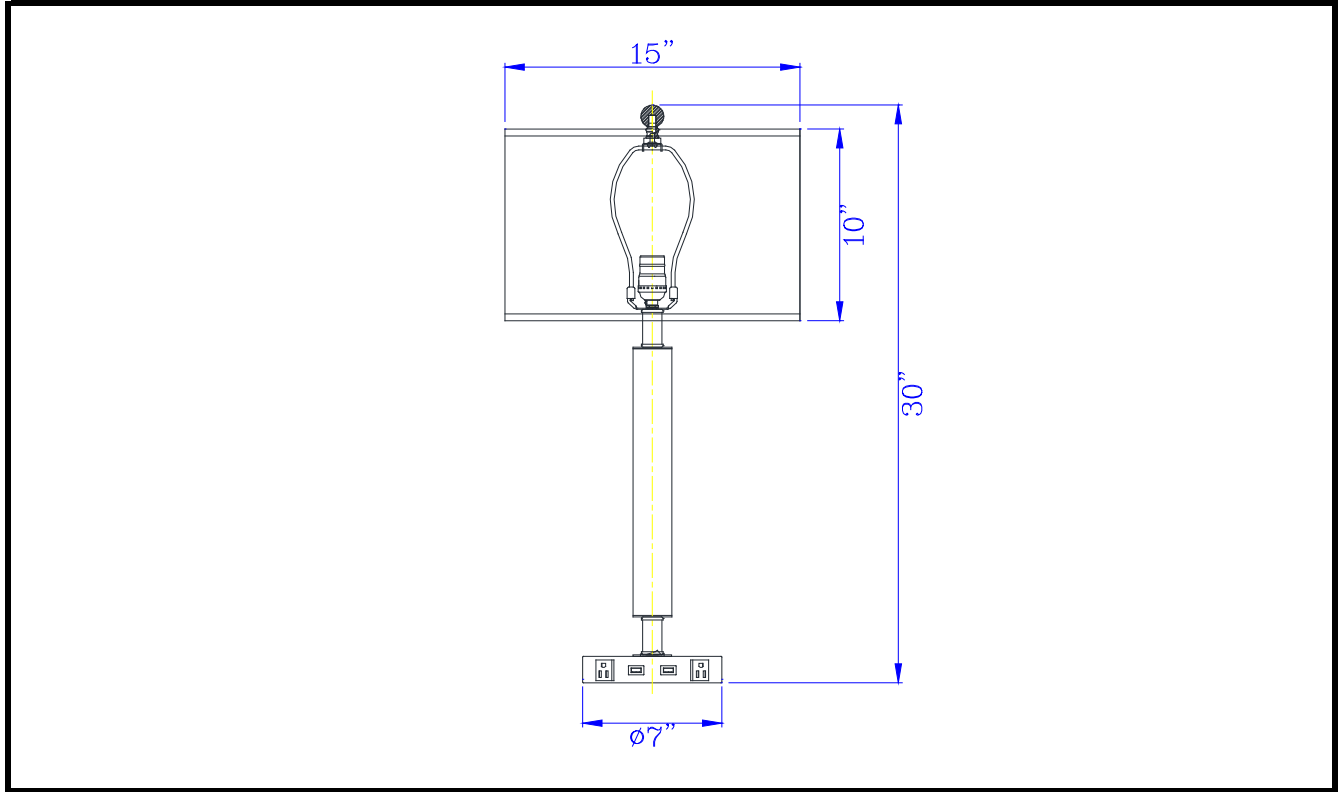




# CAL LIGHTING

3625 E. Philadelphia St. Ontario CA. 91761 • Tel: 909.947.5200 • Fax:  
909.947.5673 • www.calighting.com • service@calighting.com •  
Specifications subject to change without notice

Type: \_\_\_\_\_  
Project: \_\_\_\_\_  
Catalog No.: \_\_\_\_\_  
Lamp/Wattage: \_\_\_\_\_



**Model No:** LA-2004NS-5R-BS  
**Description:** Metal Night Stand Lamp  
**Material:** Metal  
**Finish :** Brushed Steel  
**Height:** 30"  
**Reach/Depth:** 15"  
**Base Width:** Dia. 7 1/8"  
**Wattage :** 100W  
**Socket :** Medium Base  
**Switch:** On/off Rocker  
**Bulb:** Incandescent or CFL  
**USB:** 2  
**Outlet:** 2  
**Wire Length:** 6'  
**Wire Color:** Silver  
**Shade No:**  
**Material:** Fabric  
**Shade size:** 15"x15"x10"  
**Certificate :**

