



CAL LIGHTING

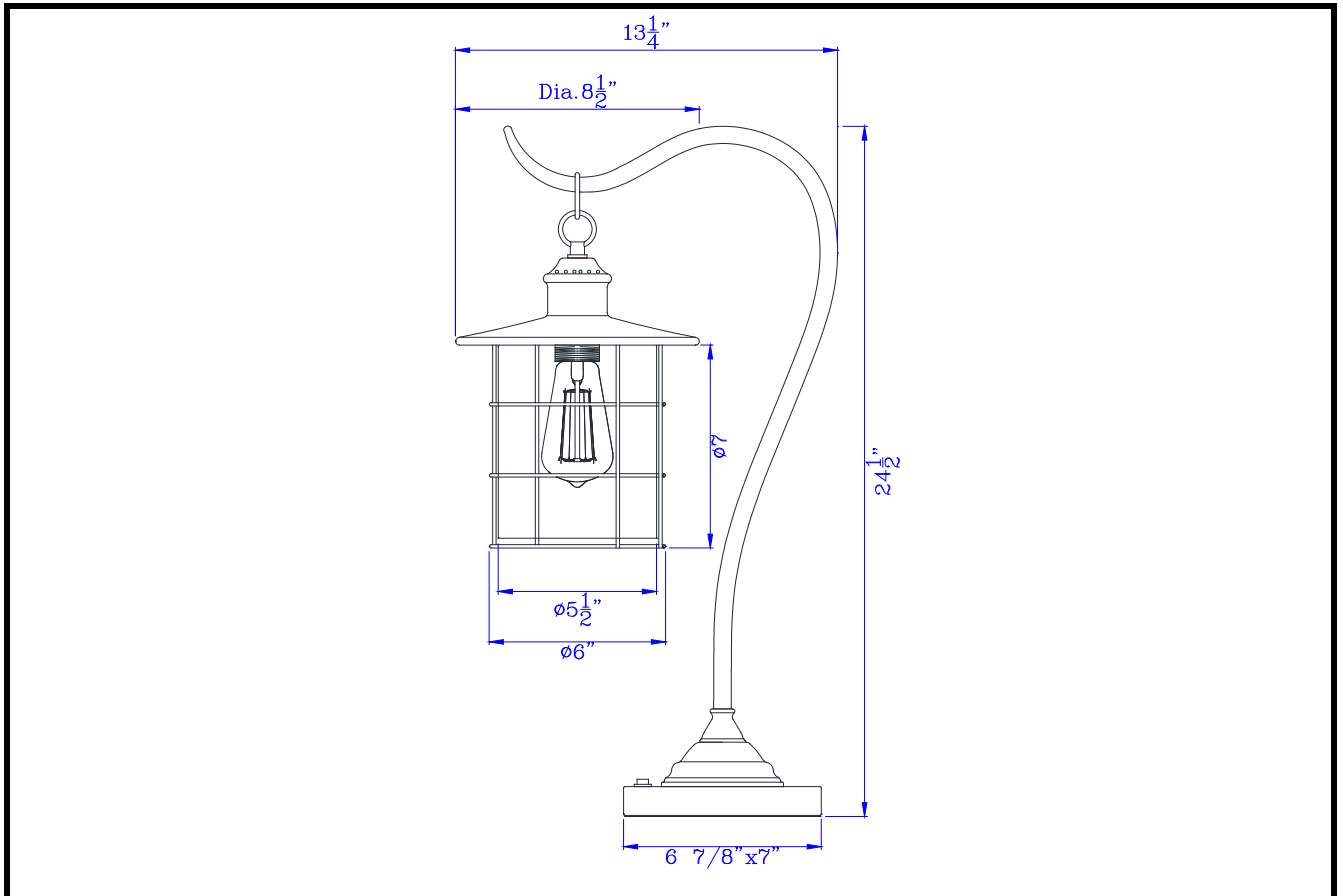
3625 E. Philadelphia St. Ontario CA. 91761 • Tel: 909.947.5200 • Fax:
909.947.5673 • www.calighting.com • service@calighting.com •
Specifications subject to change without notice

Type: _____

Project: _____

Catalog No.: _____

Lamp/Wattage: _____



Model No: BO-2668DK

Description: 60W Silverton metal floor lamp with clear glass shade (Edison bulb included)

Material: Metal

Finish : Brushed Antique Brass

Height: 24 1/2"

Reach: 13 1/4"

Base Width: 6 7/8"X7"

Wattage : 60W

Socket : Medium Base (E27)

Switch: On/off Rocker Switch

Bulb: Edison Bulb

Wire Length: 6'

Wire Color: Black

Shade No:

Material: Glass/Mesh

Shade size: 6"x6"x7"

Certificate : 