



Hold Open Door Closers

Model 900 Series

Surface Mounted

Adjustable & Preset "Back-Check"

Optional BF/DA

CAUTION AN INCORRECTLY INSTALLED OR IMPROPERLY ADJUSTED DOOR CLOSER CAN CAUSE PROPERTY DAMAGE OR PERSONAL INJURY. THESE INSTALLATION INSTRUCTIONS SHOULD BE FOLLOWED TO AVOID THE POSSIBILITY OF MISAPPLICATION OR MISADJUSTMENT. **CAUTION**

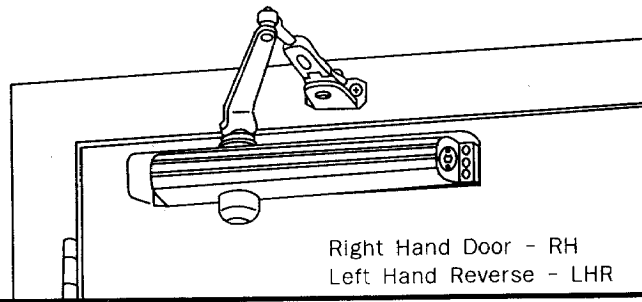
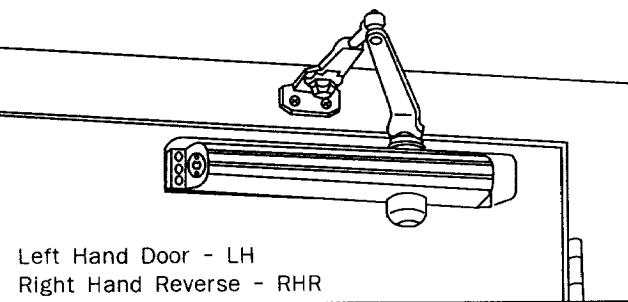
Installation Instructions

901/902

Note: For Special Applications a separate door and frame preparation template is packed with these instructions. Use this instruction sheet for installation sequence and closer adjustments only.

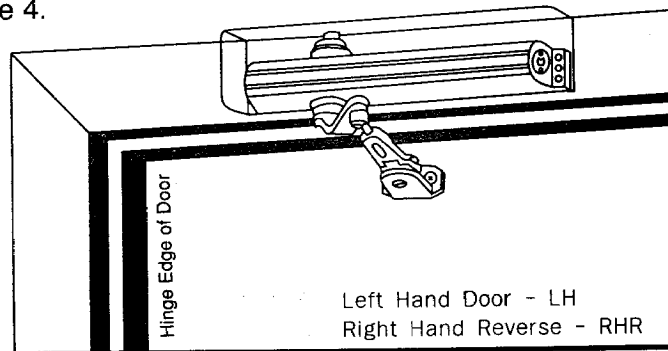
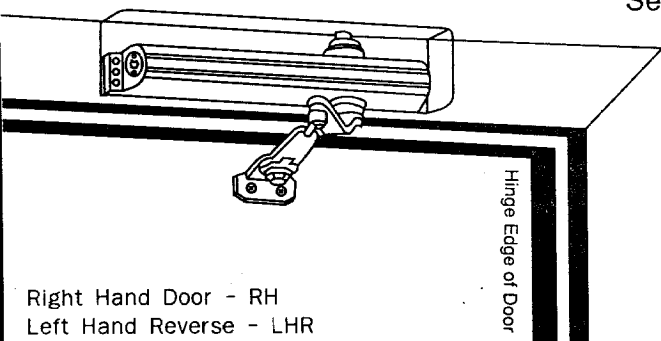
Regular Arm Installation

Closer mounts on hinge (pull) side of door. 900 Model with Narrow Cover illustrated. See Page 3.



Top Jamb Installation

Closer mounts on frame face on opposite to hinge (push) side of door. 900 Model with Full Cover illustrated. See Page 4.



Parallel Arm Installation

Closer mounts on opposite to hinge (push) side of door. Closer illustrated without covers. See Page 5.

