

SL

Efficient and uniform warmth



- Warm up in peace and quiet with a unique fan design that reduces air turbulence and noise
- Dual exhausts help distribute heat evenly throughout the room
- Includes adjustable built-in thermostat with positive "off" position on most models
- Rest easy—includes high-temperature safety shutoff feature
- A smooth, powder-coated finish with no sharp edges
- Wall can required for new installation (sold separately)

Design and performance come together in our SL heater. It includes a unique fan and grill that spread warmth evenly throughout the room. The SL heater is a great option for larger areas with limited wall space.

ARCHITECTURAL - ENGINEERING INFORMATION

Fan forced electric air heaters are UL listed, factory rated at 120V, and dual field rated 208V/240V. The elements and blower are of unitized construction and attach to wall can with four screws. Elements are of nichrome type with an oversized 25 amp rated, at 240V, high temperature manual reset limit switch. A blower delivering approximately 65 CFM is driven by an impedance protected motor. The motor is totally isolated from the heating chamber. Metal grill is of one piece, 22 gauge construction and finished with a powder coat paint system. A painted 22 gauge wall mounting can with 2 knockouts and 70 cubic inch wiring compartment is also available.

TECHNICAL INFORMATION

UL safety standards require the heater to be placed a minimum distance of 6 inches (15.2 cm) from adjacent surfaces and 4-1/2 inches (11.4 cm) from the floor. Cadet recommends a 12-inch clearance from all surfaces for longer and cleaner performance. A 3-foot (91.44 cm) minimum clearance is required for furniture or other objects placed directly in front of the heater.

Install horizontally. This heater is not approved for vertical or ceiling installation.

Electric wall heaters and thermostats work best when installed on an inside wall. We recommend installing the heater assembly after walls are finished. Heater must be cleaned every six months minimum.

CADET 
INVITING WARMTH

cadetheat.com
855.CADET.US
Vancouver, Washington



SL

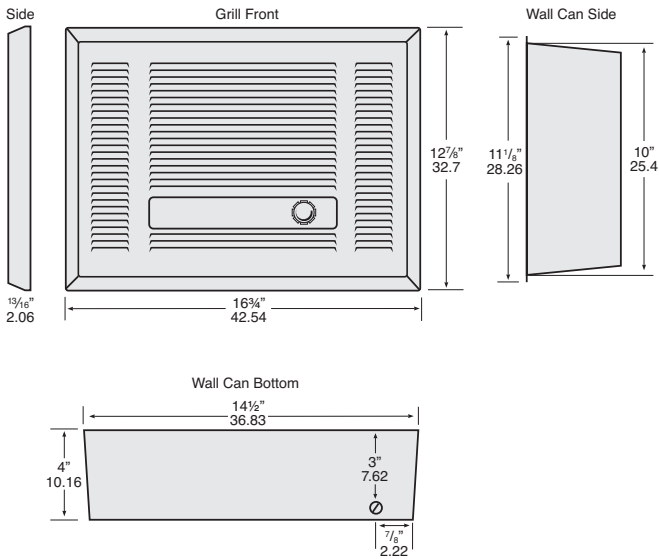
Grill: 16-3/4"W x 12-7/8"H x 1"D • Rough-in: 14-5/8"W x 10"H x 4"D

Thermostat temperature range 40°F to 85°F

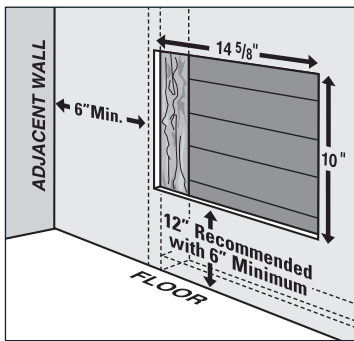
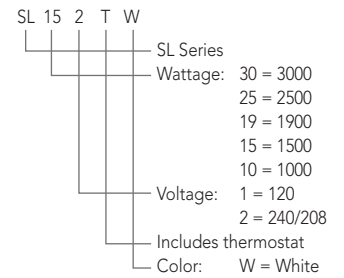
Wall thermostat required for heater assembly without thermostat

Wall can required for new installation (sold separately)

PART	MODEL	DESCRIPTION	WATTS	VOLTS	AMPS	BTUS	WT/LBS
79233	SL101TW	Heater assembly with thermostat and grill	1000	120	8.3	3415	9
79219	SL151TW	"	1500	120	12.5	5120	9
79218	SL151W	Heater assembly without thermostat, with grill	1500	120	12.5	5120	8.3
79220	SL152TW	Heater assembly with thermostat and grill	1500/1125	240/208	6.3/5.4	5120/3840	9
79221	SL192TW	"	1900/1425	240/208	7.9/6.9	6485/4865	9
79230	SL252TW	"	2500/1875	240/208	10.4/9.0	8530/6400	9
79222	SL302TW	"	3000/2250	240/208	12.5/10.8	10240/7680	9
79239	SLC	Wall can for model SL, single pack, standard recess mount					4.5
79240	SLC-S	Wall can for model SL, surface mount, 17" w x 13" h x 4" d, white					6.4



Model No. Code



ROUGH-IN: 14-5/8"W x 10"H x 4"D