

Mirabelle®

UNDERMOUNT LAVATORY

Dimensions: 19" x 15-1/8" (interior)

Dimensions: 21-1/4" x 17-1/8" (exterior)

Product Codes:

MIRU1915WH (white)

MIRU1915BS (biscuit)

- Vitreous china with concealed front overflow
- Cutout template included
- Mounting hardware included
- Installation, operating, care and maintenance instructions included
- 1 year limited warranty
- Meets ASME Standard: A112.19.2M
- cUPC/IAPMO listed



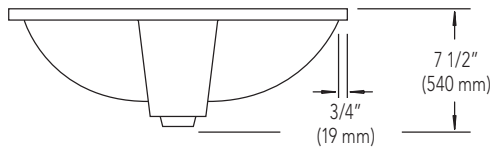
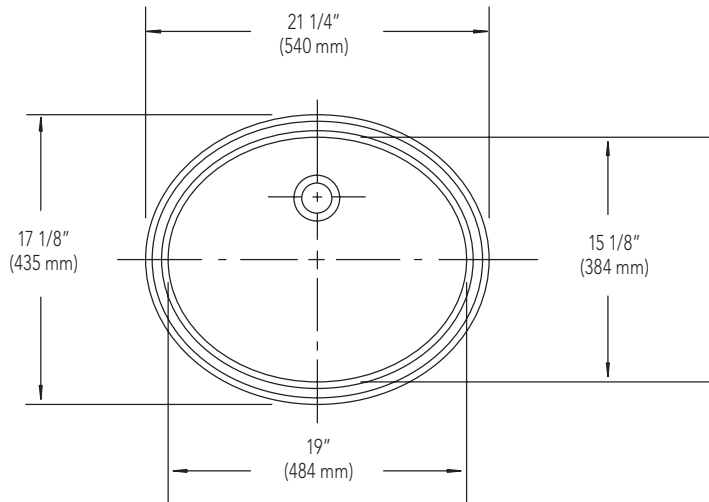
Mirabelle®

UNDERMOUNT LAVATORY

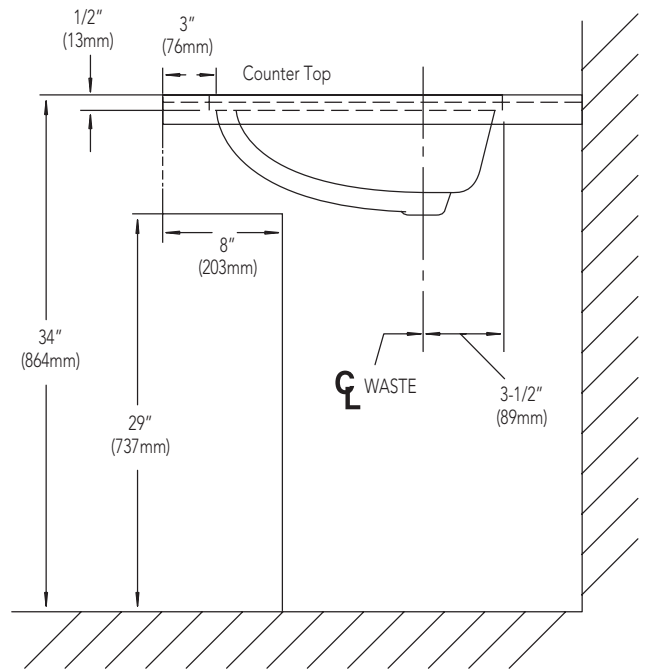
Product Codes:

MIRU1915WH (white)

MIRU1915BS (biscuit)



SUGGESTED ROUGH-IN



Note: All dimensions and specifications are nominal and may vary +/- 1/4". Use actual products for accuracy in critical situations.