

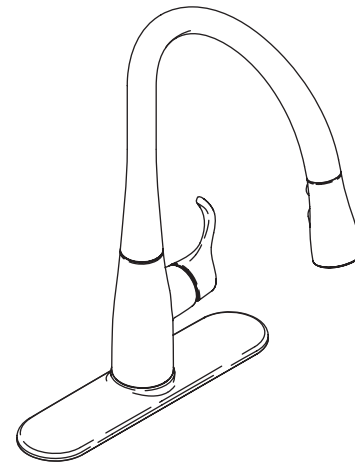
**Features**

- Metal construction
- One-piece, self-contained ceramic disc valve allows both volume and temperature control
- Temperature memory allows faucet to be turned on and off at any temperature setting
- Touch control for stream-to-spray water flow
- Promotion™ technology with nylon hose and ball joint for easy operation
- ADA compliant lever handle
- Flexible connections for easy installation
- Three-function sprayhead with spray, aerated stream, and pause settings
- 360° spout rotation
- Available with 9" (22.9 cm) or 8" (20.3 cm) swing spout reach
- For single-hole or three-hole installation when included 10-1/2" (26.7 cm) escutcheon plate is used
- 2.2 gallons (8.3 L) per minute maximum flow rate

**PULL-DOWN KITCHEN SINK FAUCET**

**K-596**  
**ALSO K-597**

**ADA**



**Codes/Standards Applicable**

Specified model meets or exceeds the following at date of manufacture:

- ADA
- ASME A112.18.1/CSA B125.1
- ICC/ANSI A117.1
- Energy Policy Act of 1992
- NSF 61
- All applicable US Federal and State material regulations

**Colors/Finishes**

- CP: Polished Chrome
- VS: Stainless Steel

**Specified Model**

Model	Description	Colors/Finishes	
K-596	Pull-down kitchen sink faucet – 9" (22.9 cm) swing spout reach (shown)	<input type="checkbox"/> CP	<input type="checkbox"/> VS
K-597	Pull-down kitchen sink faucet – 8" (20.3 cm) swing spout reach	<input type="checkbox"/> CP	<input type="checkbox"/> VS

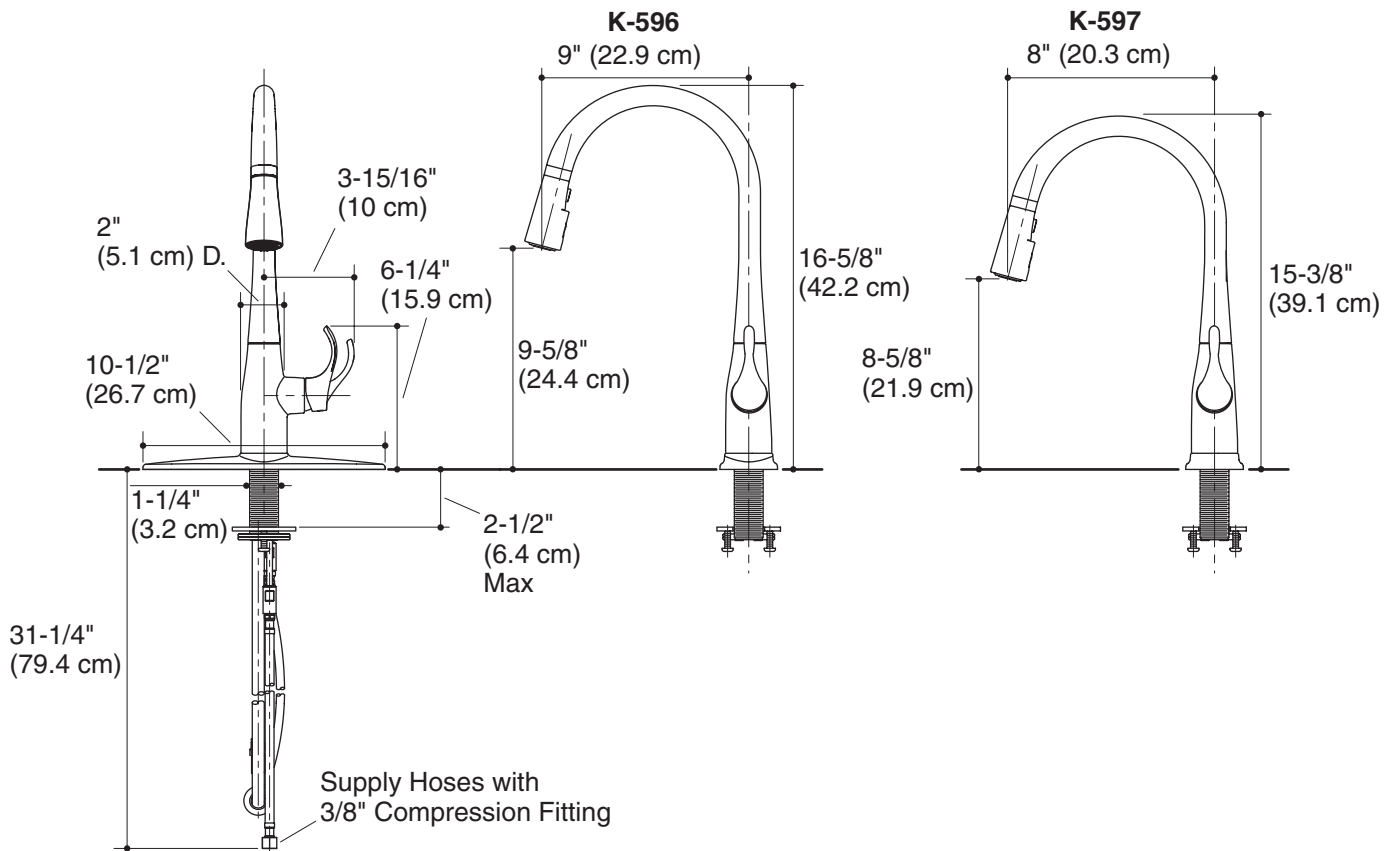
**Product Specification**

The pull-down kitchen sink faucet with transitional styling shall be of metal construction. Product shall feature a 2.2 gallon (8.3 L) per minute maximum flow rate. Product shall feature a one-piece, self-contained ceramic disc valve, which allows both volume and temperature control. Product shall feature temperature memory, allowing the faucet to be turned on and off at any temperature setting. Product shall feature a touch control for stream-to-spray water flow and Promotion technology with nylon hose and ball joint for easy operation. Product shall feature an ADA compliant lever handle, 360° spout rotation, and flexible connections for easy installation. Product shall be available with a 9" (22.9 cm) or 8" (20.3 cm) swing spout reach. Product shall feature a three-function sprayhead with spray, aerated stream, and pause settings. Product shall be for single-hole or three-hole installation when included 10-1/2" (26.7 cm) escutcheon plate is used. Pull-down kitchen sink faucet shall be Kohler Model K-\_\_\_\_-\_\_\_\_.

# SIMPLICE™

## Installation Notes

Install this product according to the installation guide.



## Product Diagram