



JOB NAME _____

CONTACT _____

ORDERING CODE _____

Bobo 3 Canopy, Track SW WD E26



970 clear
*shown with LE26

971 aqua
*shown with LE26

DESCRIPTION
 Bruck's European and American Artisan, mouth-blown glass is known throughout the world for its quality and beauty. Several light source options, mounting options, colors and finishes allow for a unique design.

HOUSING
 The pendant is offered in matte chrome or black finish.

MOUNTING
 - The pendant can be mounted from Bruck's field adjustable canopy and accepts medium base lamping options. The standard overall cable length of 10' can be field-cut or specified when ordering. See the decorative Junction Box Cover for open ceiling applications.
 - Optional track mounting: Global Trac Systems, GEO track, ECO track / HALO® Power Trac track, and Zonyx track.

LISTINGS
 - Listed to UL1598 and UL1574 (Suitable for dry locations only)
 - Listed to CSA C22.2 #250.0 and #9.0

ORDERING CODE		
LIGHT SOURCE	LLED LE26	LED, 1000 lm E26 socket
CCT ¹	30K 35K 3018	3000K static white LED 3500K static white LED 3000K warm dim LED, to 1800K
CRI ¹	90 ² 95 ³	90 CRI, static white 95 CRI, warm dim
SHADE COLOR	970 971	clear aqua
FINISH	MC BK	matte chrome black
MOUNTING OPTIONS	PBK PMC PWH ECOBK ECOMC ECOWH GEOBK GEOHC GEOWH ZONMC	canopy, black with black cable canopy, matte chrome with black cable canopy, white with white cable ECO/HALO black with black cable ECO/HALO matte chrome with black cable ECO/HALO white with white cable GEO black with black cable GEO matte chrome with black cable GEO white with white cable Zonyx matte chrome with black cable

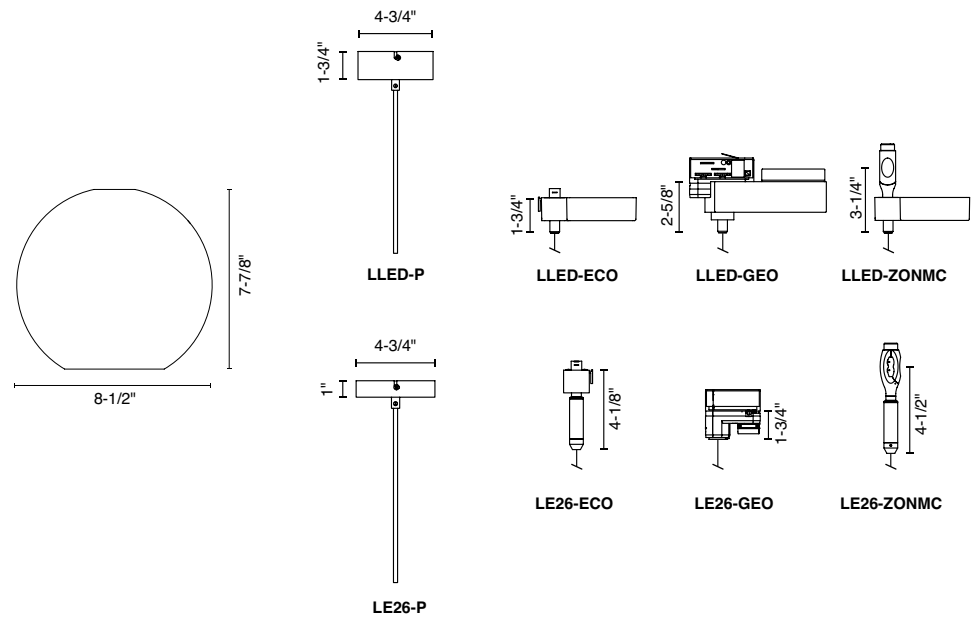
ORDERING CODE _____

Follow the steps to specify your fixture, example:
LLED - 30K - 90 - 970 - BK - PBK

NOTES
 1. CCT and CRI options for LLED only.
 2. 90 CRI for static white only.
 3. 95 CRI for warm dimming only.

CCT AT LIGHT LEVEL (%LF) FOR WARM DIM LED	
%LF	CCT
100%	3000
50%	2800
25%	2300
10%	1900
5%	1800

MOUNTING OPTIONS



LIGHT SOURCE

Light Source	LLED - Static White LED	LLED - Warm Dim LED	LE26 - E26 Socket
Performance			
LED	Cree CMT 1420	Luminus CDM-9	Lamp dependent
Lumens	1150lm	850lm	
CCT	3000K or 3500K	3000K to 1800K	
SDCM	2-Step MacAdam Ellipse	3-Step MacAdam Ellipse	
CRI	>90	>95	
Lumen Maintenance	$L_{90} > 41,500$ hours	$L_{70} > 54,000$ hours	
Technical Specs			
Socket Listing	<ul style="list-style-type: none"> • Integrated LED module • ETLus Listed to UL1598, and UL1574 (Suitable for dry locations only) • cETL Listed to CSA C22.2 #250.0 and #9.0 	<ul style="list-style-type: none"> • Integrated LED module • ETLus Listed to UL1598, and UL1574 (Suitable for dry locations only) • cETL Listed to CSA C22.2 #250.0 and #9.0 	<ul style="list-style-type: none"> • Medium E26 base socket • ETLus Listed to UL1598, and UL1574 (Suitable for dry locations only) • cETL Listed to CSA C22.2 #250.0 and #9.0
Mounting			
Canopy	<ul style="list-style-type: none"> • 120-277Vac, 50/60Hz input • 14.3W, 14.9VA • Tri-mode dimming (Triac, ELV and 0-10V) • Mount to 3-1/2" - 4" round J-Box 	<ul style="list-style-type: none"> • 120-277Vac, 50/60Hz input • 15.6W, 16.1VA • Tri-mode dimming (Triac, ELV and 0-10V) • Mount to 3-1/2" - 4" round J-Box 	<ul style="list-style-type: none"> • 120Vac input • 100W, 100VA (max 100W lamp) • Dimmable (with compatible lamp) • Mount to 3-1/2" - 4" round J-Box
Line Voltage Track	<ul style="list-style-type: none"> • 120Vac, 50/60Hz input • 14.3W, 14.9VA • Triac and ELV phase dimming • Connects to line voltage adapter (ECO, GEO, Zonyx) 	<ul style="list-style-type: none"> • 120Vac, 50/60Hz input • 15.6W, 16.1VA • Triac and ELV phase dimming • Connects to line voltage adapter (ECO, GEO, Zonyx) 	<ul style="list-style-type: none"> • 120Vac input • 100W, 100VA (max 100W lamp) • Dimmable (with compatible lamp) • Connects to line voltage adapter (ECO, GEO, Zonyx)
Warranty			
	• 5 year limited fixture warranty	• 5 year limited fixture warranty	• 1 year limited fixture warranty

VINTAGE LED LAMPS FOR E26 BASE SOCKETS

- Amber Glass Lamp with Thread LED
- Integrated Driver-Free System
- Suitable for Damp Locations
- Smooth Dimming System*
- 25,000 Hours Warranty
- 95% Energy Savings

*Compatible with most electronic low voltage (ELV) dimmers



	LED Globe Lamp	LED Edison Lamp	LED Tubular Lamp
Ordering Code	LMP-G2518022K1	LMP-ED2118022K1	LMP-TB1030022K1
Type	G25	ST21	T10
Base	E26	E26	E26
Delivered Lumens	180lm	180lm	300lm
Wattage	2.0W (40W equivalent)	2.0W (40W equivalent)	3.5W (60W equivalent)
Maximum Overall Length (MOL)	4.5"	5.4"	7.56"
Maximum Overall Diameter (MOD)	3.15"	2.45"	1.25"
CCT	2200K	2200K	2200K
	