

JOB NAME _____

CONTACT _____

ORDERING CODE _____

LM-79

RENATA OVAL Pendant E26

WEPLIGHT
COLLECTION



ORDERING CODE		
SERIES	WEP	wep pendant
TYPE	REN	renata
SIZE	80OVL 116OVL 200OVL ¹	80 oval pendant, 2 x light source 116 oval pendant, 3 x light source 200 oval pendant, 5 x light source
BASE OPTION	LE26	E26 socket
MOUNTING OPTION	PBK	canopy, black with black cable
OUTER SHADE COLOR	ASH BCH BLU EBY GRN GYO OCH PGR PTB RED ROS TRC WHT WNG YLW LPT VLT	ash beech blue ebony green grey oak ocher pale green petiribi red rose teracotta white wenge yellow light petrol violet
INNER SHADE COLOR	ASH BCH BLU EBY GRN GYO OCH PGR PTB RED ROS TRC WHT WNG YLW LPT VLT	ash beech blue ebony green grey oak ocher pale green petiribi red rose teracotta white wenge yellow light petrol violet

ORDERING CODE _____

Follow the steps to specify your fixture, example:
WEP - REN - 116OVL - LE26 - PBK - ASH - ASH

NOTES
1. Assembly required.

DESCRIPTION
WEP Light (Wood Ecological Project) is designed, handcrafted in Argentina and assembled in the USA. A two-sided wood veneer section is fused with a malleable center panel for strength and flexibility to create a work of art in a variety of styles and sizes. A plethora of colors for interior and exterior of the shade are offered. Acoustic WEP lights are offered in multiple shapes and sizes and are NRC rated by a third-party lab for absorption efficiency. The natural recycled wood in many finish options, is complimented by a natural Argentinian lamb's wool inner shade for superior absorption. Factory assembly for most shades.

HOUSING
- Sustainable, recycled, reconstructed wood veneer
- Factory assembled shades with some exceptions due to size

MOUNTING
- Bayonet black canopy with 108" black cord, field adjustable
- Renata 80OVL: 5.73 lbs.
- Renata 116OVL: 8.28 lbs.
- Renata 200OVL: 17.15 lbs.

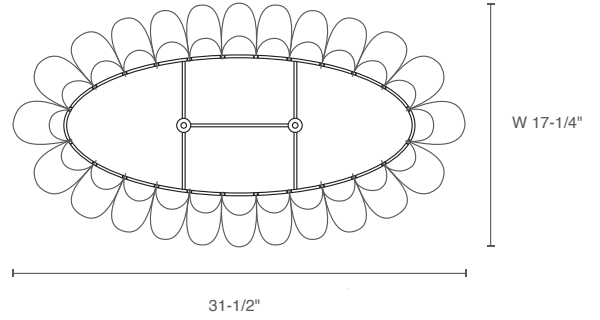
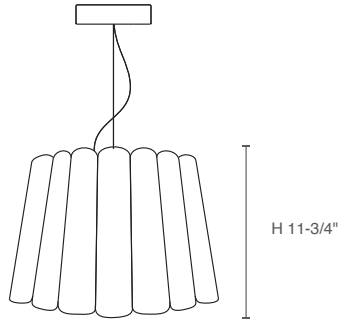
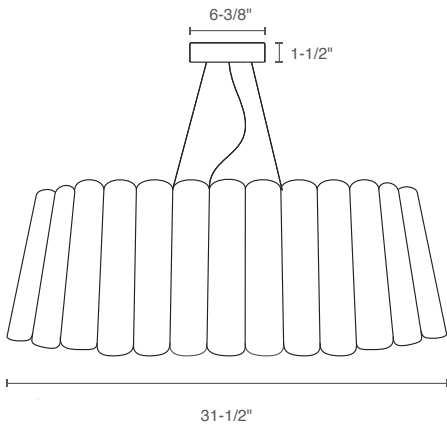
ELECTRICAL/CONTROLS
- 100W bulb max
- 120V only
- E26 socket
- 15W socket available, use base option code E26-15

LISTINGS
- ULus listed to UL1598 (suitable for indoor use and dry locations only)
- cUL listed to CSA C22.2 #250.0

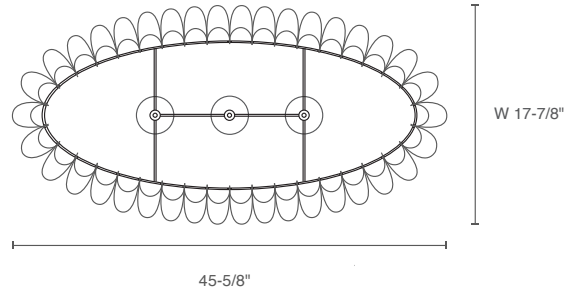
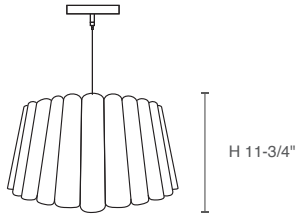
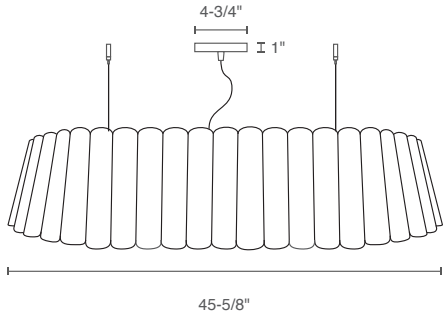
COLOR OPTIONS



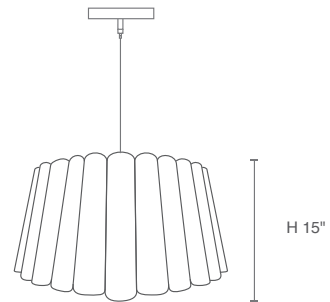
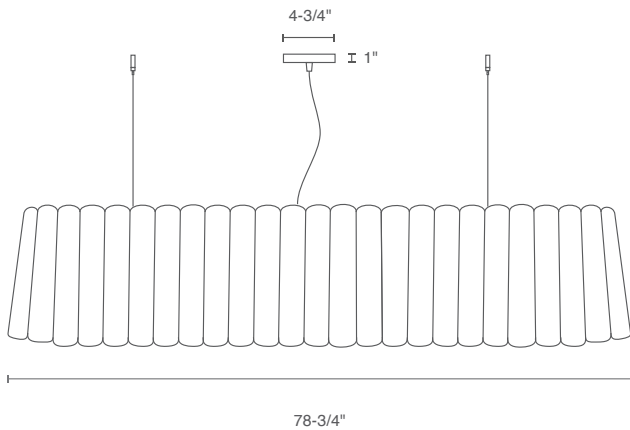
MOUNTING OPTIONS



RENATA 80 OVL



RENATA 116 OVL



W 23-1/2"

RENATA 200 OVL