

JOB NAME _____

CONTACT _____

ORDERING CODE _____

LM-79

PAULINA Pendant E26

WEPLIGHT
^ COLLECTION



ORDERING CODE		
SERIES	WEP	wep pendant
TYPE	PAU	paulina
SIZE	50 60 80	50 pendant, 1 x E26 60 pendant, 1 x E26 80 pendant, 1 x E26
BASE OPTION	E26	medium E26 base
MOUNTING OPTION	MPBK	monopoint canopy, black
OUTER SHADE COLOR	ASH BCH BLU EBY GRN GYO OCH PGR PTB RED ROS TRC WHT WNG YLW LPT VLT	ash beech blue ebony green grey oak ocher pale green petiribi red rose teracotta white wenge yellow light petrol violet
INNER SHADE COLOR	ASH BCH BLU EBY GRN GYO OCH PGR PTB RED ROS TRC WHT WNG YLW LPT VLT	ash beech blue ebony green grey oak ocher pale green petiribi red rose teracotta white wenge yellow light petrol violet

ORDERING CODE _____

Follow the steps to specify your fixture, example:
WEP - PAU - 60 - E26 - MPBK - PTB - PTB

DESCRIPTION

WEP Light (Wood Ecological Project) is designed, handcrafted in Argentina and assembled in the USA. A two-sided wood veneer section is fused with a malleable center panel for strength and flexibility to create a work of art in a variety of styles and sizes. A plethora of colors for interior and exterior of the shade are offered. Acoustic WEP lights are offered in multiple shapes and sizes and are NRC rated by a third-party lab for absorption efficiency. The natural recycled wood in many finish options, is complimented by a natural Argentinian lamb's wool inner shade for superior absorption. Factory assembly for most shades.

HOUSING

- Sustainable, recycled, reconstructed wood veneer
- Factory assembled shades with some exceptions due to size

MOUNTING

- Bayonet black canopy with 108" black cord, field adjustable
- Paulina 50: 2.97 lbs.
- Paulina 60: 3.96 lbs.
- Paulina 80: 6.04 lbs.

ELECTRICAL/CONTROLS

- 100W bulb max
- 120V only
- E26 socket
- 15W socket available, use base option code E26-15

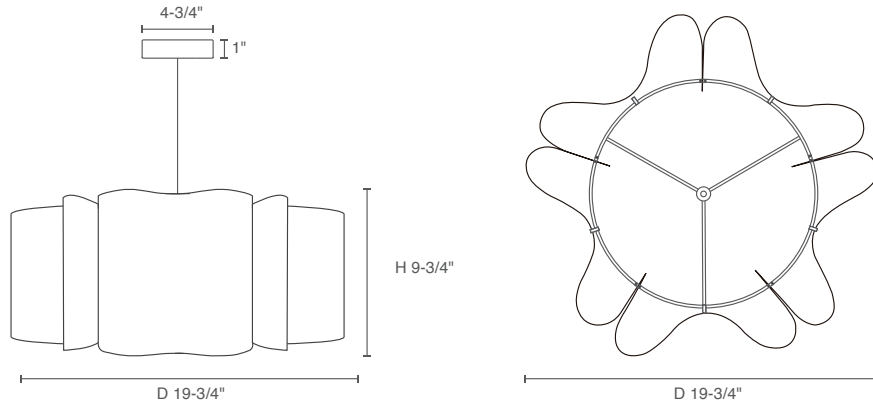
LISTINGS

- ULus listed to UL1598 (suitable for indoor use and dry locations only)
- cUL listed to CSA C22.2 #250.0

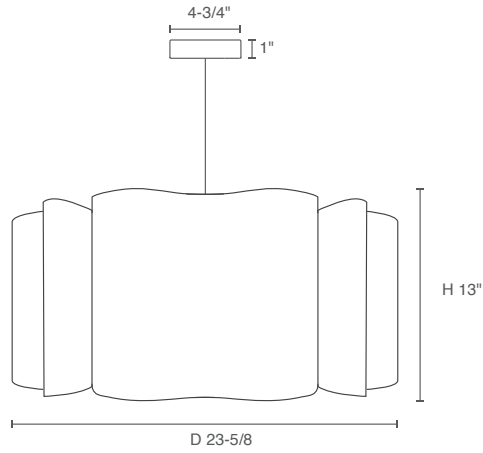
COLOR OPTIONS



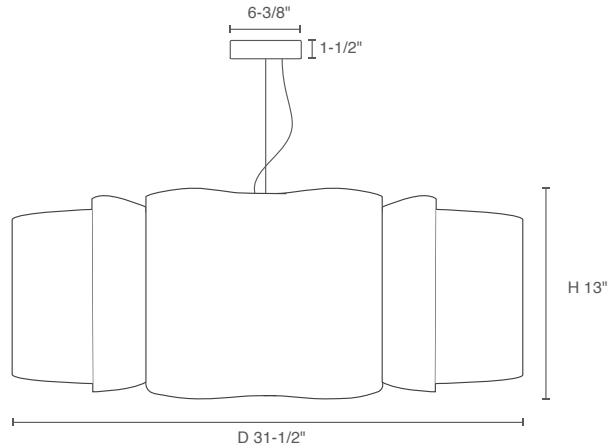
MOUNTING OPTIONS



PAULINA 50



PAULINA 60



PAULINA 80