

JOB NAME _____

CONTACT _____

ORDERING CODE _____

LM-79

CAMILA Canopy, Track SW WD E26

WEPLIGHT
^ COLLECTION



DESCRIPTION
WEP Light (Wood Ecological Project) is designed, handcrafted in Argentina and assembled in the USA. A two-sided wood veneer section is fused with a malleable center panel for strength and flexibility to create a work of art in a variety of styles and sizes. A plethora of colors for interior and exterior of the shade are offered. Acoustic WEP lights are offered in multiple shapes and sizes and are NRC rated by a third-party lab for absorption efficiency. The natural recycled wood in many finish options, is complimented by a natural Argentinian lamb's wool inner shade for superior absorption. Factory assembly for most shades.

HOUSING
- Sustainable, recycled, reconstructed wood veneer
- Factory assembled shades with some exceptions due to size

MOUNTING
- Bayonet with 108" cord, field adjustable
- Optional track mounting options: Global Trac Systems, GEO track, ECO track / HALO® Power Trac track, and Zonyx track.
- Camila 56: 3.08 lbs.
- Camila 67: 3.94 lbs
- Camila 78: 6.12 lbs.

LISTINGS
- ULus listed to UL1598 (suitable for indoor use and dry locations only)
- cUL listed to CSA C22.2 #250.0

| ORDERING CODE | | |
|-------------------|---|---|
| SERIES | WEP | wep pendant |
| TYPE | CAM | camila |
| SIZE | 56 67 78 ³ | 56 pendant, 1 x light source 67 pendant, 1 x light source 78 pendant, 1 x light source |
| LIGHT SOURCE | LE26 ⁴ LLED | E26 socket LED, 1000 lm |
| CCT | 30K 35K 3018 | 3000K, static white LED 3500K, static white LED 3000K, dim to 1800K, warm dim LED <small>Not applicable to LE26 option. Do not include in LE26 ordering code.</small> |
| CRI | 90 ¹ 95 ² | 90 CRI, static white 95 CRI, warm dim <small>Not applicable to LE26 option. Do not include in LE26 ordering code.</small> |
| MOUNTING OPTION | PBK PWH PMC ECOBK ECOWH ECOMC GEOBK GEOWH GEO ZONMC | canopy, black with black cable canopy, white with white cable canopy, matte chrome with black cable ECO/HALO black with black cable ECO/HALO white with white cable ECO/HALO matte chrome with black cable GEO black with black cable GEO white with white cable GEO matte chrome with black cable Zonyx matte chrome with black cable |
| OUTER SHADE COLOR | ASH BCH BLU EBY GRN GYO OCH PGR PTB RED ROS TRC WHT WNG YLW LPT VLT | ash beech blue ebony green grey oak ocher pale green petiribi red rose teracotta white wenge yellow light petrol violet |
| INNER SHADE COLOR | ASH BCH BLU EBY GRN GYO OCH PGR PTB RED ROS TRC WHT WNG YLW LPT VLT | ash beech blue ebony green grey oak ocher pale green petiribi red rose teracotta white wenge yellow light petrol violet |

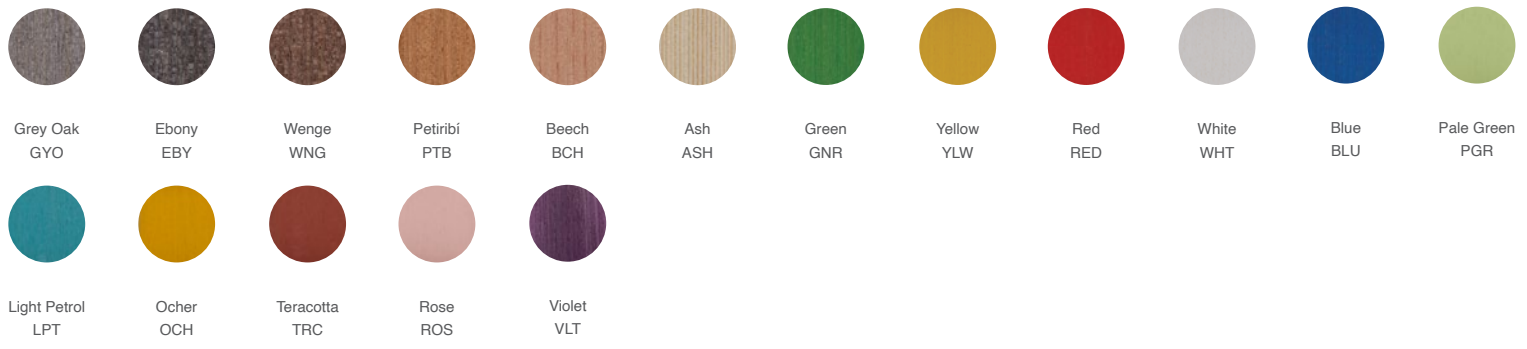
ORDERING CODE _____

Follow the steps to specify your fixture, example:
WEP - CAM - 67 - LLED - 3018 - 95 - PBK - GYO - RED

NOTES
1. 90 CRI for static white only.
2. 95 CRI for warm dimming only.
3. 78 available in PBK mounting only.
4. 15W E26 socket available, use base option code LE26-15.

| CCT AT LIGHT LEVEL (%LF) FOR WARM DIM LED | |
|---|------|
| %LF | CCT |
| 100% | 3000 |
| 50% | 2800 |
| 25% | 2300 |
| 10% | 1900 |
| 5% | 1800 |

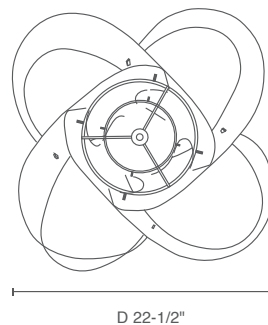
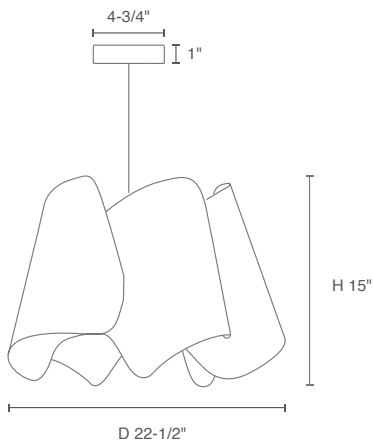
COLOR OPTIONS



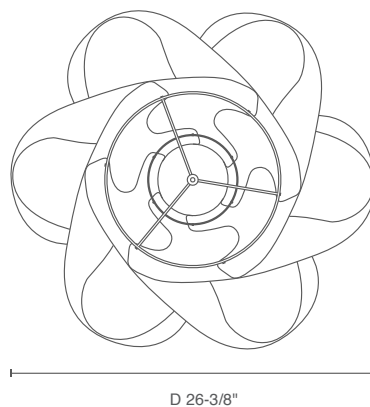
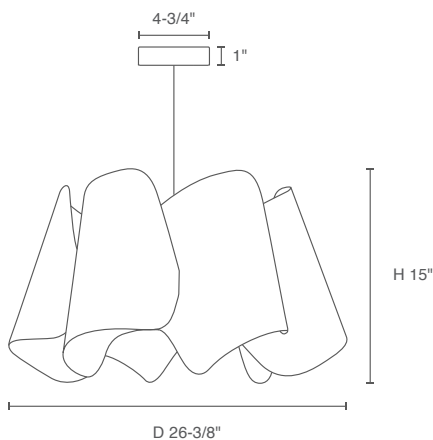
LIGHT SOURCE

| Light Source | LLED - Static White LED | LLED - Warm Dim LED | LE26 - E26 Socket |
|------------------------|--|--|---|
| Performance | | | |
| LED | Cree CMT 1420 | Luminus CDM-9 | Lamp Dependant |
| Lumens | 1150 lm | 850 lm | |
| CCT | 3000K or 3500K | 3000K to 1800K | |
| SDCM | 2-Step MacAdam Ellipse | 3-Step MacAdam Ellipse | |
| CRI | >90 | >95 | |
| Lumen Maintenance | L ₉₀ > 41,500 hours | L ₇₀ > 54,000 hours | |
| Technical Specs | | | |
| Socket Listing | Integrated LED module ETLus Listed to UL1598, and UL1574 (Suitable for dry locations only) cETL Listed to CSA C22.2 #250.0 and #9.0 | Integrated LED module ETLus Listed to UL1598, and UL1574 (Suitable for dry locations only) cETL Listed to CSA C22.2 #250.0 and #9.0 | Medium E26 base socket ETLus Listed to UL1598, and UL1574 (Suitable for dry locations only) cETL Listed to CSA C22.2 #250.0 and #9.0 |
| Mounting | | | |
| Canopy | 120-277Vac, 50/60Hz input 14.3W, 14.9VA Tri-mode dimming (Triac, ELV and 0-10V) | 120-277Vac, 50/60Hz input 15.6W, 16.1VA Tri-mode dimming (Triac, ELV and 0-10V) | 120Vac input 100W, 100VA (max 100W lamp) Dimmable (with compatible lamp) |
| Line Voltage Track | 120Vac, 50/60Hz input 14.3W, 14.9VA Triac and ELV phase dimming Connects to line voltage adapter (ECO, GEO, Zonyx) | 120Vac, 50/60Hz input 15.6W, 16.1VA Triac and ELV phase dimming Connects to line voltage adapter (ECO, GEO, Zonyx) | 120Vac input 100W, 100VA (max 100W lamp) Dimmable (with compatible lamp) Connects to line voltage adapter (ECO, GEO, Zonyx) |
| Warranty | | | |
| | 5 year limited fixture warranty | 5 year limited fixture warranty | 1 year limited fixture warranty |

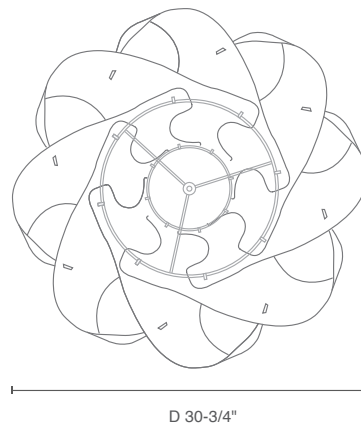
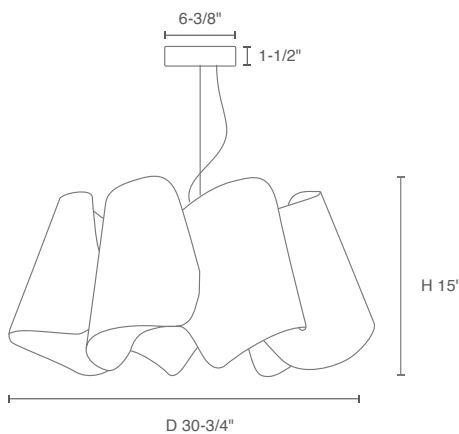
MOUNTING OPTIONS



CAMILA 56

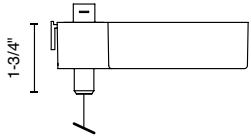


CAMILA 67

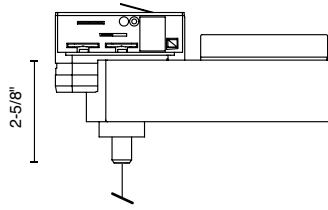


CAMILA 78

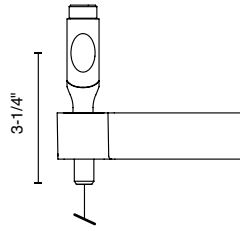
MOUNTING OPTIONS (CONTINUED)



LLED-ECO



LLED-GEO



LLED-ZONMC