

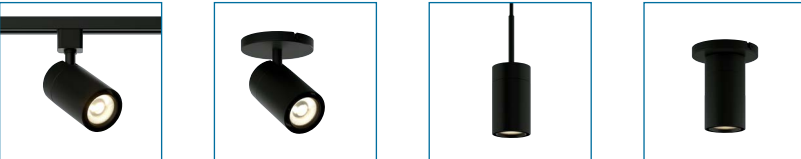
JOB NAME _____

CONTACT _____

ORDERING CODE _____

ORDERING CODE		
PART NUMBER	350440	
DELIVERED LUMENS	13LM	1150 lm Calculated Delivered Lumens = [Delivered Lumen Value] x [CCT Multiplier]
CCT & LM MULTIPLIER	30K 35K	3000K (1.00) 3500K (1.02)
CRI	90	90 CRI
OPTICS	20 38 50	20° 38° 50°
VOLTAGE	120	120V
DIMMING	ELV	Trailing Edge (ELV) Dimming
FINISH	WH BK	white black
MOUNTING OPTIONS ¹	ECOBK ECO/HALO, black ECOWH ECO/HALO, white JUNOBK JUNO, black JUNOWH JUNO, white LGTRBK LIGHTOLIER, black LGTRWH LIGHTOLIER, white SMBK surface mount, black SMWH surface mount, white PBK pendant, black PWH pendant, white MPBK monopoint with field cuttable stem, black MPWH monopoint with field cuttable stem, white RCONSBK round conduit surface mount canopy, black RCONSWH round conduit surface mount canopy, white RCONPBK round conduit pendant canopy, black RCONPWH round conduit pendant canopy, white	
ACCESSORIES	See page 3 for details.	

GX15 Cylinder Fixture Multi-Mount



DESCRIPTION
 GX15 is a cylinder fixture with multiple mounting applications with 1150lm at 90+ CRI. The GX15 can be specified as a track spot, canopy spot, surface mount cylinder or a pendant. It features optional lens and glare reduction accessories. It is offered in black or white matte finish.

HOUSING
 - Extruded aluminum housing with black or white finish.

MOUNTING
 - ECO track / Halo® Power Trac Track, Juno® track, and Lightolier®
 - Monopoint with field cuttable stem
 - Surface mount or field adjustable flexible cord pendant mounting option
 - RCONS or RCONP mounting option requires a 4" surface mount octagonal junction box. For more details, refer to Conduit Mount spec sheet.

ELECTRICAL/CONTROLS
 - 120Vac, 50-60Hz input, 15W
 - Phase dimmable
 - Leading and trailing edge (Triac/ELV) dimming
 - 350° rotation, 90° tilt

LED INFO
 - LED: Cree Xlamp® CXA1512
 - SDCM: 3-step MacAdam Ellipse
 - Lumen Maintenance: L₇₀ > 60,500 hrs

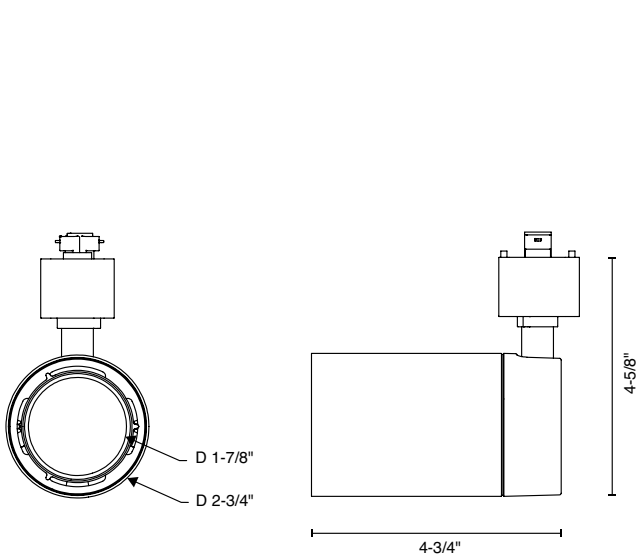
LISTING
 - ETLus Listed to UL1574 (track suitable for dry locations only)
 - cETL Listed to CSA C22.2 #9.0

ORDERING CODE _____

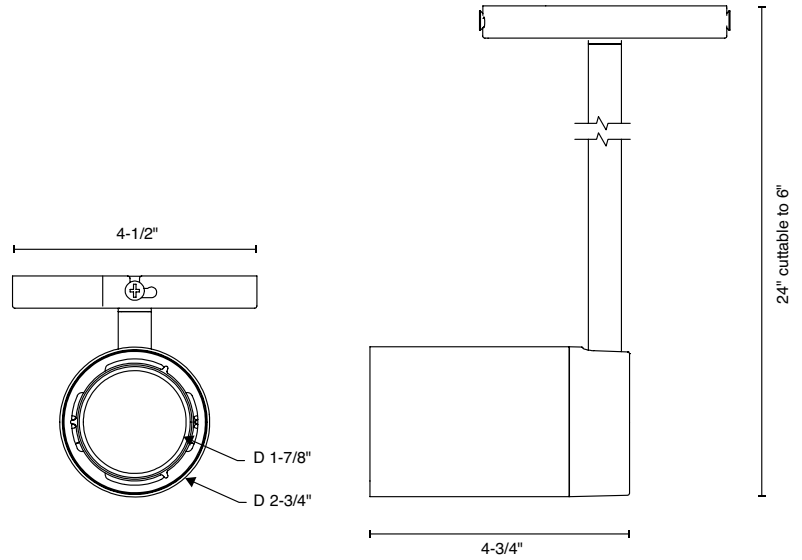
Follow the steps to specify your fixture, example:
350440 - 13LM - 30K - 90 - 38 - 120 - ELV - WH - ECOWH

NOTES
 1 Mounting finish must match fixture finish.

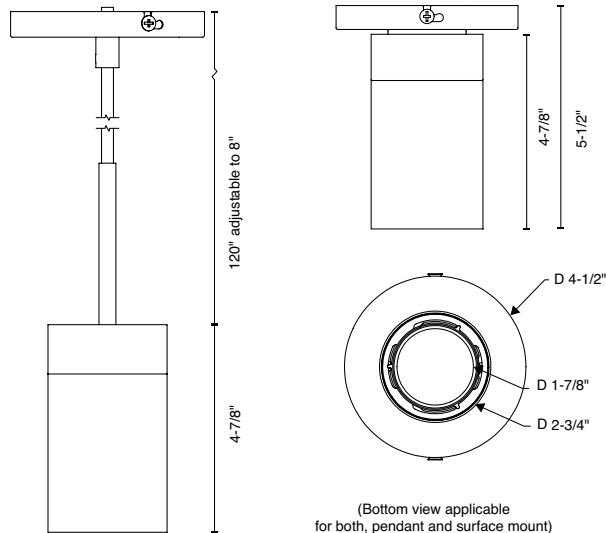
MOUNTING OPTIONS



**ECO/HALO®/JUNO®/LIGHTOLIER®
MOUNT**



**MONOPOINT
MOUNT**



**PENDANT
MOUNT**

**SURFACE
MOUNT**

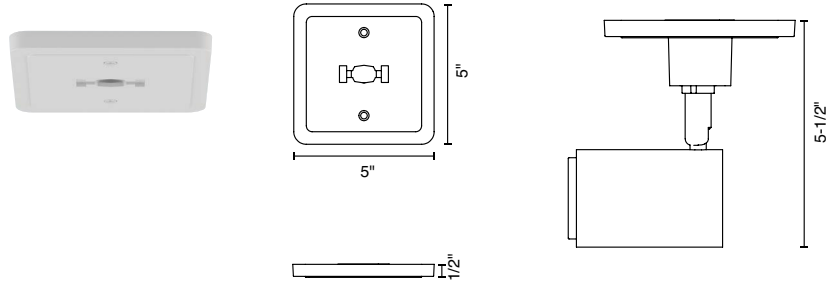
ACCESSORIES

Follow the steps to specify your fixture, example:
350440 - 13LM - 30K - 90 - 38 - 120 - ELV - WH - ECOWH - 350440/SNOOTBK

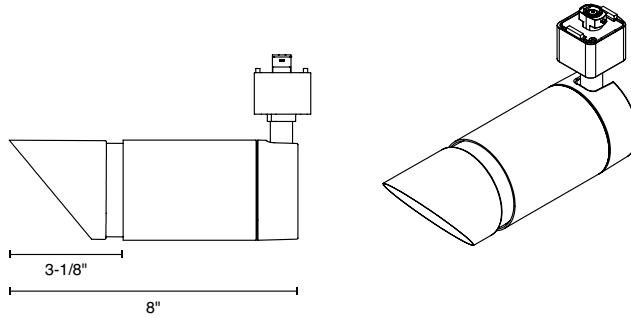
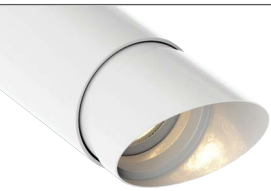
Accessories

- 350440/SNOOTBK snoot, black
- 350440/SNOOTWH snoot, white
- 350440/HCLBK honeycomb louver, black
- 350440/HCLWH honeycomb louver, white
- 350440/BDBK barn doors, black
- 350440/BDWH barn doors, white
- 350440/SHNTBK shroud snoot, black
- 350440/SHNTWH shroud snoot, white
- K20272/ECOMPBK ECO canopy, black
- K20272/ECOMPWH ECO canopy, white

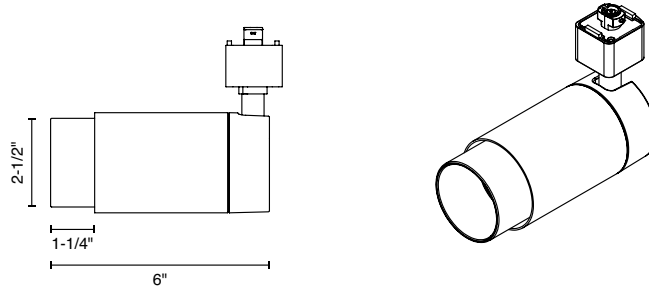
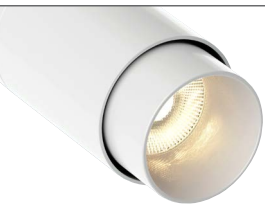
ECO CANOPY ACCESSORIES



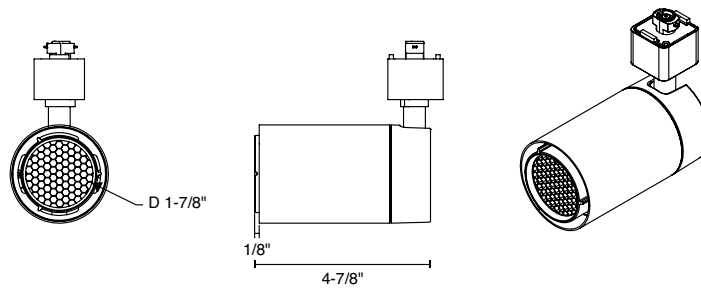
SHROUD SNOOT



SNOOT



HONEYCOMB LOUVER



BARN DOORS

