

JOB NAME \_\_\_\_\_

CONTACT \_\_\_\_\_

ORDERING CODE \_\_\_\_\_

LM-79

## OLIVIA Pendant E26

WE PLIGHT  
^ COLLECTION



ORDERING CODE		
SERIES	WEP	wep pendant
TYPE	OLI	olivia
SIZE	39 39L 72 124'	39 pendant, 1 x E26 39 long pendant, 1 x E26 72 pendant, 1 x E26 124 pendant, 3 x E26
BASE OPTION	E26	medium E26 base
MOUNTING OPTION	MPBK	monopoint canopy, black
OUTER SHADE COLOR	ASH BCH BLU EBY PGR GRN GYO OCH PTB RED ROS TRC WHT WNG YLW LPT VLT	ash beech blue ebony pale green green grey oak ocher petiribi red rose teracotta white wenge yellow light petrol violet
INNER SHADE COLOR	ASH BCH BLU EBY PGR GRN GYO OCH PTB RED ROS TRC WHT WNG YLW LPT VLT	ash beech blue ebony pale green green grey oak ocher petiribi red rose teracotta white wenge yellow light petrol violet

ORDERING CODE \_\_\_\_\_

Follow the steps to specify your fixture, example:  
WEP - OLI - 39L - E26 - MPBK - EBY - RED

NOTES  
1. Assembly required.

### DESCRIPTION

WEP Light (Wood Ecological Project) is designed, handcrafted in Argentina and assembled in the USA. A two-sided wood veneer section is fused with a malleable center panel for strength and flexibility to create a work of art in a variety of styles and sizes. A plethora of colors for interior and exterior of the shade are offered. Acoustic WEP lights are offered in multiple shapes and sizes and are NRC rated by a third-party lab for absorption efficiency. The natural recycled wood in many finish options, is complimented by a natural Argentinian lamb's wool inner shade for superior absorption. Factory assembly for most shades.

### HOUSING

- Sustainable, recycled, reconstructed wood veneer
- Factory assembled shades with some exceptions due to size

### MOUNTING

- Bayonet black canopy with 108" black cord, field adjustable
- Olivia 39: 3.88 lbs.
- Olivia 39L: 8 lbs.
- Olivia 72: 11.64 lbs.
- Olivia 124: 27.82 lbs.

### ELECTRICAL/CONTROLS

- 100W bulb max
- 120V only
- E26 socket
- 15W socket available, use base option code E26-15

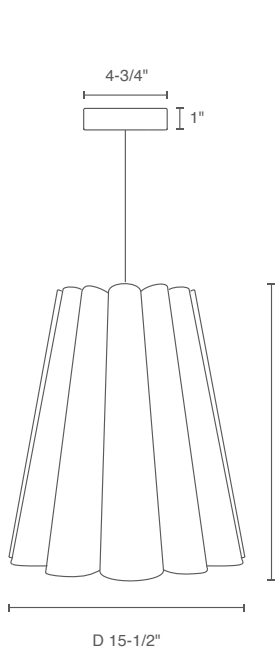
### LISTINGS

- ULus listed to UL1598 (suitable for indoor use and dry locations only)
- cUL listed to CSA C22.2 #250.0

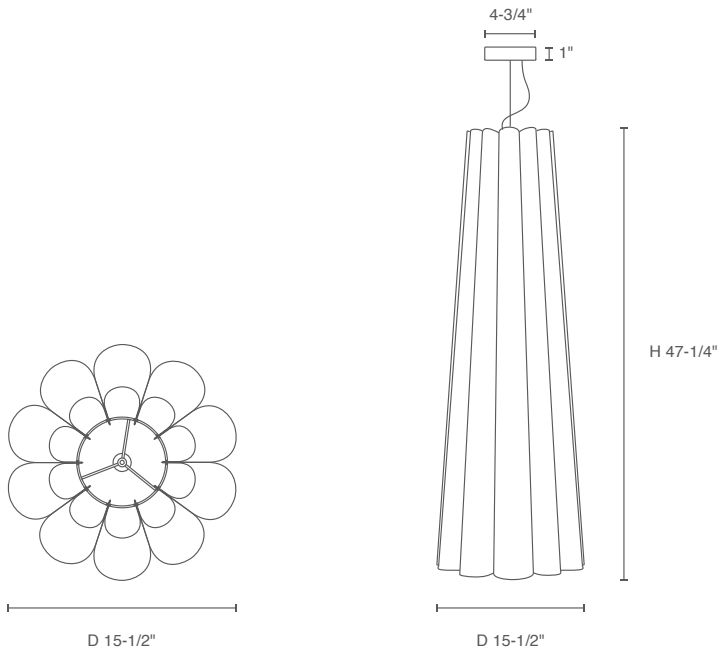
### COLOR OPTIONS



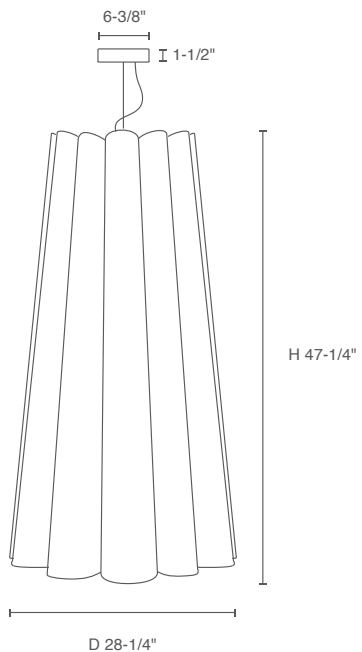
## MOUNTING OPTIONS



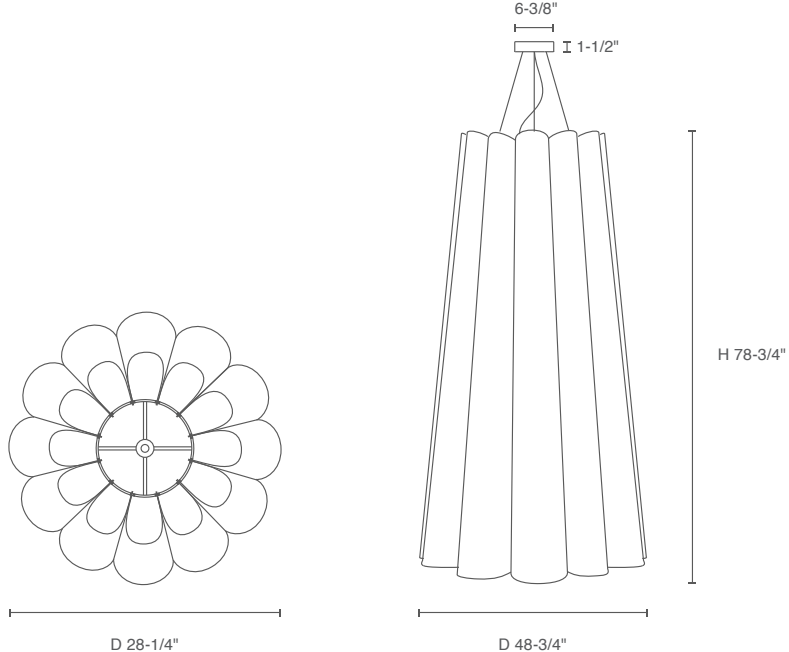
**OLIVIA 39**



**OLIVIA 39L**



**OLIVIA 72**



**OLIVIA 124**