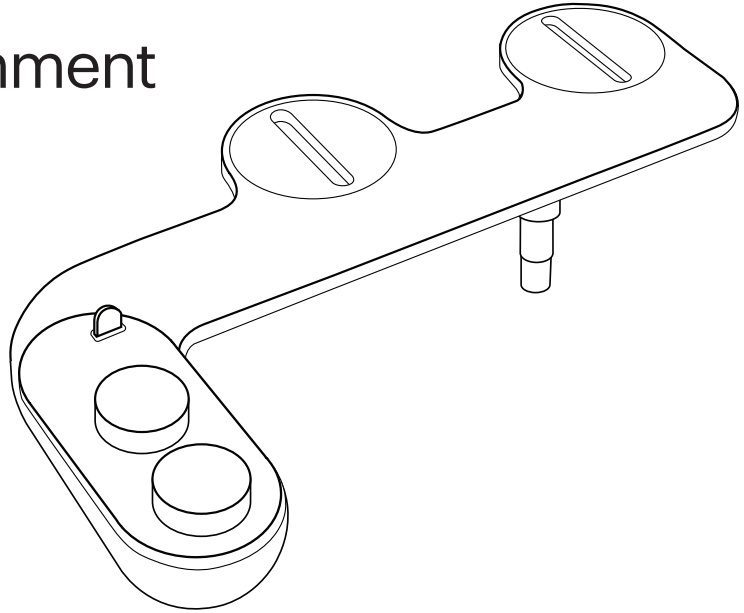


# Brondell®

## SimpleSpa Eco Advanced Bidet Attachment with Single Nozzle

**Model:** SSE-25



### Features

Made with 65% recycled plastic

Side-arm control panel with aluminum knobs and easy nozzle adjuster

Adjustable nozzle position for front and rear washes

Self-cleaning, retractable nozzle

Fully adjustable water temperature and pressure

All-metal 1/2" T-Valve

Braided-metal cold water hose

High temperature hot water flex tubing

All-metal 1/2" T-Valve

1-year limited warranty

### Technical Specifications

Dimensions (L x W x H)	15.43" x 9.96" x 3.33" / 39.2 cm x 25.3 cm x 8.45 cm
Product Thickness	0.33" / 0.85 cm
Weight	1.71 lb / 0.76 kg
Supply Water Pressure	.725 psi-116.03 psi / 0.05 MPa - 0.8MPa
Incoming Water Temperature Range	Cold Water Inlet: 34°F-95°F / 1°C-35°C Hot Water Inlet: 34°-140°F / 1°C-60°C
Flow Rate	0.39 gal/min / 1.47 L/min at 0.3MPa
Internal Valve Material	Brass, PA66, 50%GF, SiO2, EPDM
Internal Valve Type	Ceramic
Bidet Hose Length	23.62"/60cm
Bidet Hose Fitting/Connection Size	3/8" x 3/8"
Cold Water T-Valve Connection Size	1/2" x 1/2" x 3/8"
Hot Water T-Valve Connection Size	3/8" x 3/8" x 3/8"

**NOTE:** The specifications listed above are subject to change without prior notice for reasons of improving the product performance.

#22SSE25\_1227

**Brondell®**  
Feels better already.

Brondell, Inc.  
PO Box 470085  
San Francisco, CA 94147  
brondell.com