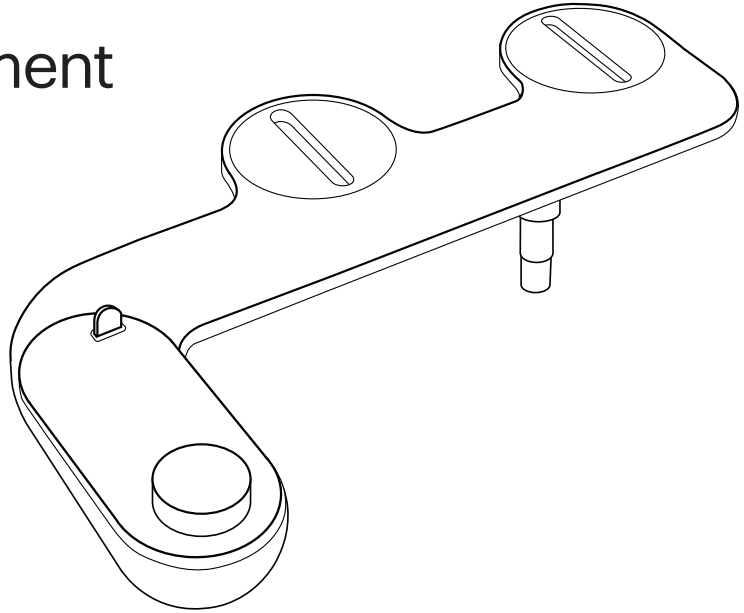


Brondell®

SimpleSpa Eco Essential Bidet Attachment with Single Nozzle

Model: SSE-15



Features

- Made with 65% recycled plastic
- Side-arm control panel with aluminum knobs and easy nozzle adjuster
- Adjustable nozzle position for front and rear washes
- Self-cleaning, retractable nozzle
- Ambient temperature bidet wash
- Adjustable water pressure
- All-metal $\frac{1}{8}$ " T-Valve
- Braided-metal cold water hose
- 1-year limited warranty

Technical Specifications

Dimensions (L x W x H)	15.43" x 9.96" x 3.33" / 39.2 cm x 25.3 cm x 8.45 cm
Product Thickness	0.33" / 0.85 cm
Weight	1.28 lb / 0.58 kg
Supply Water Pressure	.725 psi-116.03 psi / 0.05 MPa - 0.8MPa
Incoming Water Temperature Range	34°F-95°F / 1°C-35°C
Flow Rate	0.39 gal/min / 1.47 L/min at 0.3MPA
Internal Valve Material	Brass, PA66, 50%GF, SiO ₂ , EPDM
Internal Valve Type	Ceramic
Bidet Hose Length	23.62"/60cm
Bidet Hose Fitting/Connection Size	$\frac{3}{8}$ " x $\frac{3}{8}$ "
Cold Water T-Valve Connection Size	$\frac{1}{8}$ " x $\frac{1}{8}$ " x $\frac{3}{8}$ "

NOTE: The specifications listed above are subject to change without prior notice for reasons of improving the product performance.

#22SSE15_1227

Brondell®
Feels better already.

Brondell, Inc.
PO Box 470085
San Francisco, CA 94147
brondell.com