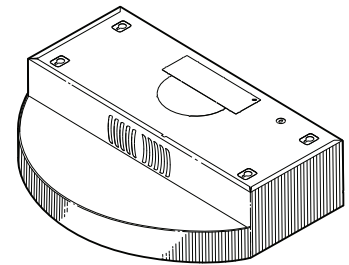


B30 SERIES RANGE HOOD



A design for today's transitional homes. A perfect semicircle arch not only adds a bit of flair, it provides a generous capture area as well.

FEATURES

- Clean, sleek appearance.
- Brushed stainless steel.
- Filter design dishwasher-safe for easy cleaning.
- 2-level blower speed control.
- Two, 50W halogen lights provide focused lighting for unmatched cooktop visibility (lamps included).
- Centrifugal blower provides increased performance and quieter operation.
- Versatile design allows for 3¼" x 10" (vertical & horizontal), 7" round (vertical only), or non-ducted discharges without re-positioning blower.
- Adjustable duct connectors - accommodate off-center ductwork.
- Charcoal filters for non-ducted installations (purchase separately).
- Available in 30" or 36" widths in Stainless Steel.
- For indoor use only.

SPECIFICATIONS

Volts	120
Hz	60
Amps	1.6
CFM	120 (normal), 300 (maximum)
Sones	1.0 (normal), 6.0 (maximum)
Controls	2-speed rocker
Halogen Flood Light	50W MR16 with GU10 base †
Charcoal Filter	FILTER30 ‡

† 2 bulbs req. (included).

‡ Purchase separately for non-ducted installation.

TYPICAL SPECIFICATION

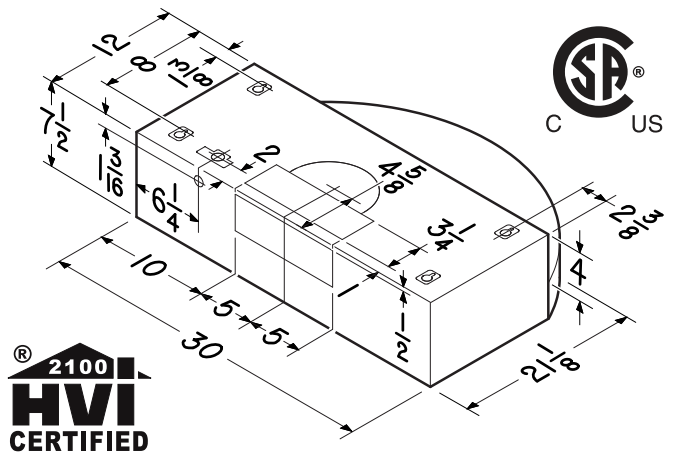
Range hood shall be Broan B30 Series.

Unit will have clean, contoured appearance with no sharp edges. Finish to be brushed stainless steel. It must have a fully-enclosed bottom and dishwasher-safe, full filters.

Hood to be convertible between 3¼" x 10" and 7" round ducted (using two washable aluminum filters) as well as non-ducted (using two charcoal filters - must be purchased separately). Duct connectors must be adjustable to accommodate off-center ductwork.

Range hood to have a centrifugal blower and two, 50W (max.) halogen flood lights. Blower and lights shall be operated using a specially-designed, 2 level rocker control.

Air delivery shall be no less than 120 cfm (normal) or 300 cfm (maximum) and sound level no greater than 1.0 Sones (normal) or 6.0 Sones (maximum). Air and sound ratings to be certified by HVI. Unit shall be _C CSA _{US} listed.



HVI-2100 CERTIFIED RATINGS comply with new testing technologies and procedures prescribed by the Home Ventilating Institute, for off-the-shelf products, as they are available to consumers. Product performance is rated at 0.1 in. static pressure, based on tests conducted in a state-of-the-art test laboratory. Sones are a measure of humanly-perceived loudness, based on laboratory measurements.

Broan-NuTone LLC Hartford, Wisconsin www.broan.com 800-558-1711
Broan-NuTone Canada Mississauga, Ontario www.broan.ca 877-896-1119

REFERENCE	QTY.	REMARKS	Project
			Location
			Architect
			Engineer
			Contractor
			Submitted by Date