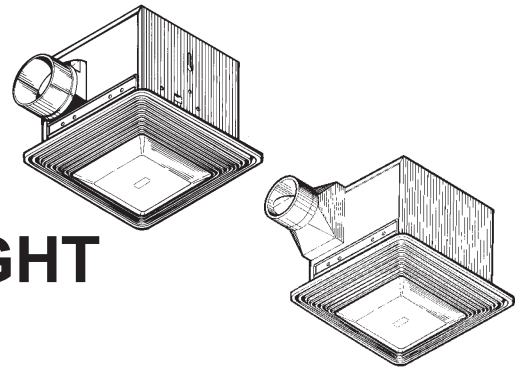




MODELS S120L, S120FL & S150L SOLITAIRE® BATH FAN/LIGHT/NIGHT LIGHT



Quiet, high performance bath fan/lights with a modern-styled, low-profile grille.

FEATURES

GRILLE:

- Low profile styling with flush mount light lens
- 18W fluorescent lamp* (Model S120FL), or up to 100W incandescent lamp (Models S120L & S150L) (bulb not included)
- Convenient 7-Watt Night-Light (bulb not included)
- Durable aluminum reflector with white enamel finish

BLOWER:

- Plug-in, permanently lubricated motor
- Dynamically balanced centrifugal blower wheel for quiet, efficient performance
- Low RPM quiet operation
- Quick one-screw installation/removal
- Resilient anti-vibration motor mounts

HOUSING:

- Rugged steel construction finished with black, electrically-bonded epoxy paint
- Tapered, 4" round, polymeric duct connector-no metallic clatter
- 7-5/8" height allows for 2" x 8" (nominal) joist installations
- Mounts between joists or directly to joist
- Adjustable mounting brackets span up to 24"

NOTE: S120FL can be installed in ceilings up to 12/12 pitch. All others for installation in ceilings up to 7/12 pitch

CONTROLS: Designed for use with these products (purchase separately)

- Model 62V (Ivory)/62W (White) 60-Minute Time Control with two rocker switches
- Model 66V (Ivory)/66W (White) Three Function Control

U.L. Listed for use over bathtubs and showers when connected to a GFCI protected branch circuit (ceiling installation only).

U.L. Listed for use in insulated ceilings (TYPE I.C.)

TYPICAL SPECIFICATION

Ventilator shall be Broan Model S120L (S120FL, S150L) Fan/Light/Night Light.

Ventilator shall have steel housing with black, electrically-bonded epoxy paint. Mounting brackets to be adjustable. It shall be ducted to a roof or wall cap using 4" round ductwork. Automatic backdraft damper shall be located within duct connector.

Blower assembly shall be removable, have a centrifugal-type blower wheel and a permanently-lubricated motor, mounted with resilient anti-vibration mounts.

Lamp shall be 100W maximum incandescent (Model S120L & S150L), or 18W fluorescent* (Model S120FL) with separate 7-Watt Night Light.

Air delivery shall be no less and sound levels no greater than listed. All air and sound ratings shall be certified by AMCA and HVI. Unit shall be U.L. Listed for use in insulated ceilings. (TYPE I.C.)

- * Use only one of the following 18W fluorescent lamps:
- BROAN 97010730 SYLVANIA CF 18DD827
 - PHILLIPS PL-C 18W/27 G.E. F18DBX/T4/SPX27
 - OSRAM CF18DD827 NEMA Type CFQ18W/G24d



Broan-NuTone LLC certifies that the models shown herein are licensed to bear the AMCA Seal. The ratings shown are based on tests and procedures performed in accordance with AMCA Publication 211 and AMCA Publication 311 and comply with the requirements of the AMCA Certified Ratings Program.



Broan-NuTone LLC, 926 West State Street, Hartford, WI 53027 (1-800-637-1453)
Broan-NuTone Canada, Inc., 1140 Tristar Drive, Mississauga, Ontario L5T 1H9 (1-888-882-7626)

REFERENCE	QTY.	REMARKS	Project
			Location
			Architect
			Engineer
			Contractor
			Submitted by Date

PERFORMANCE RATINGS - MODELS S120L, S120FL & S150L

AMCA LICENSED PERFORMANCE

Model No.	Sones @ 0.0" S.P.	CFM @ Static Pressure (Ps - Inches of H ₂ O)					Volts	Watts	Nominal RPM	Duct Size
		0.0	0.1	.125	.250	.375				
S120L	4.8	141	130	126	107	87	120	90*	1350	4" Dia.
S120FL	4.8	141	130	126	107	87	120	90*	1350	4" Dia.
S150L	4.3	163	157	155	142	123	120	81*	1360	4" Dia.

The performances shown are with inlet grille, backdraft damper and outlet duct. RPM shown is nominal and the performance is based on actual speed of test. The sound ratings shown are loudness values in fan sones at 5' (1.5m) in a hemispherical free field calculated per AMCA Std. 301. Values shown are for installation Type B: free inlet fan sone levels.
*Fan Only

SONES

Model Number	HVI Sones @ 0.1" Ps**	AMCA Sones @ 0.0" Ps**
S120L	3.5	5.0
S120FL	3.5	5.0
S150L	3.0	4.3

*There is a difference between sone values certified by HVI for residential use and by AMCA for commercial/industrial use. Exact comparison of these values is not possible. This difference is mainly due to the procedures used to convert measured sound to perceived sound. ANSI S3.4, used by both HVI and AMCA, specifies a procedure for calculating loudness as perceived by a typical listener under specific conditions. HVI establishes values at a distance of 5 feet from the fan in a "spherical free field"; AMCA establishes values at a distance of 5 feet in a "hemispherical free field". HVI and AMCA have different rules for rounding sone values.

AMPS

MODEL NUMBER	AMPS***
S120L	1.5
S120FL	1.2
S150L	1.9

*** Total connected load



"Broan-NuTone LLC certifies that the models shown herein are licensed to bear the AMCA Seal. The ratings shown are based on tests and procedures performed in accordance with AMCA Publication 211 and AMCA Publication 311 and comply with the requirements of the AMCA Certified Ratings Program."

HVI PERFORMANCE

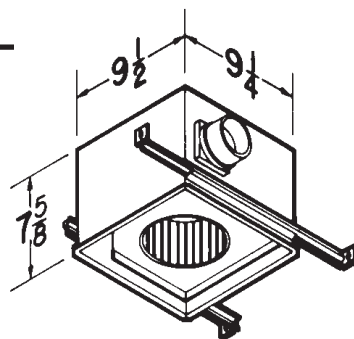
MODEL NUMBER	SONES	CFM @ 0.1" Ps
S120L	3.5	120
S120FL	3.5	120
S150L	3.0	150



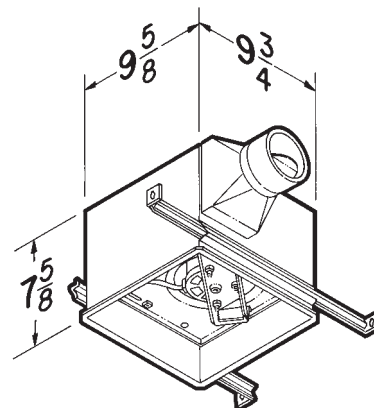
HVI-2100 CERTIFIED RATINGS comply with new testing technologies and procedures prescribed by the Home Ventilating Institute, for off-the-shelf products, as they are available to consumers. Product performance is rated at 0.1 in. static pressure, based on tests conducted in AMCA's state-of-the-art test laboratory. Sones are a measure of humanly-perceived loudness, based on laboratory measurements.

WEIGHT

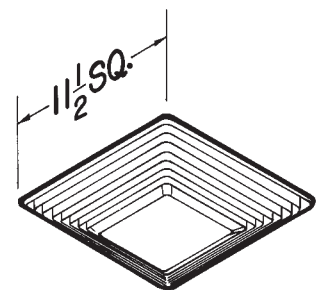
MODEL NO.	SHIPPING WT.
S120L	10.8 lbs.
S120FL	12.8 lbs.
S150L	10.8 lbs.



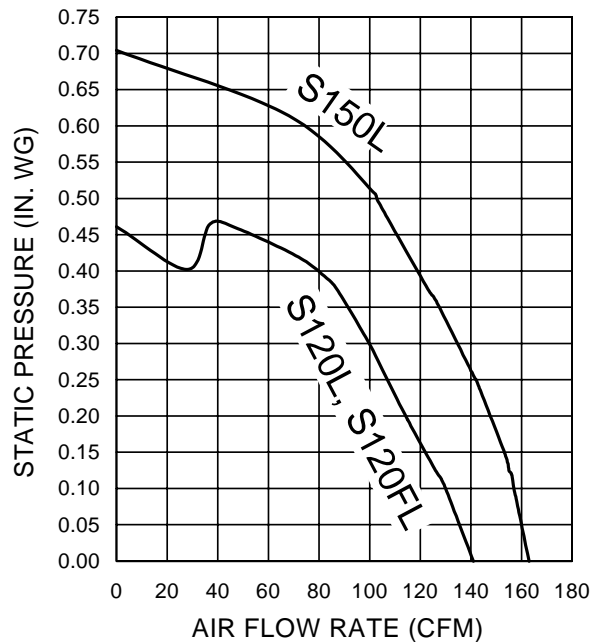
S120L & S120FL HOUSING



S150L HOUSING



GRILLE (all models)



Broan-NuTone LLC, 926 West State Street, Hartford, WI 53027 (1-800-637-1453)
Broan-NuTone Canada, Inc., 1140 Tristar Drive, Mississauga, Ontario L5T 1H9 (1-888-882-7626)