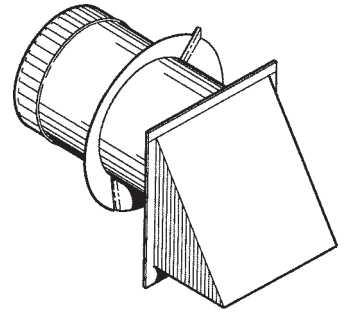


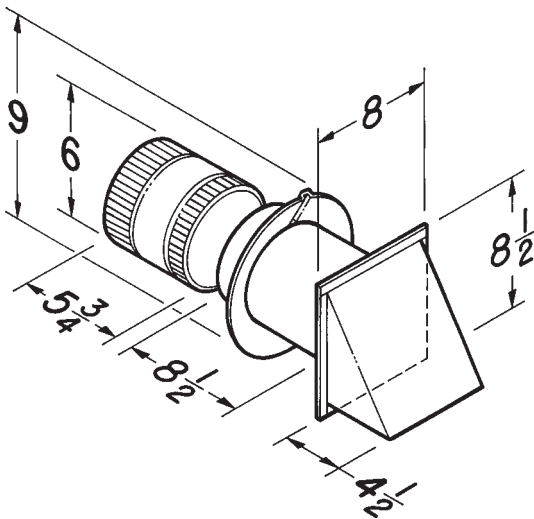
MODEL BD6 PRESSURE RELIEF DAMPER



Specially designed to handle intake or exhaust air from Broan Energy Recovery Ventilating products.

FEATURES

- 30 gage galvanized steel construction
- Combines wall cap and damper in one unit
- Accepts 6" round duct
- Reversible damper - can be used for intake or exhaust
- Damper has positive seal - works in horizontal or vertical position
- Movable collar - aids in sealing cutout
- Built-in birdscreen
- Extra long collar for easy connection of rigid or flexible ducting
- Wide nailing/sealing flange.
- Can provide code required fresh air ventilation when ducted to furnace cold air return
- Includes a "Fresh Air Inlet" label for required marking in some jurisdictions.



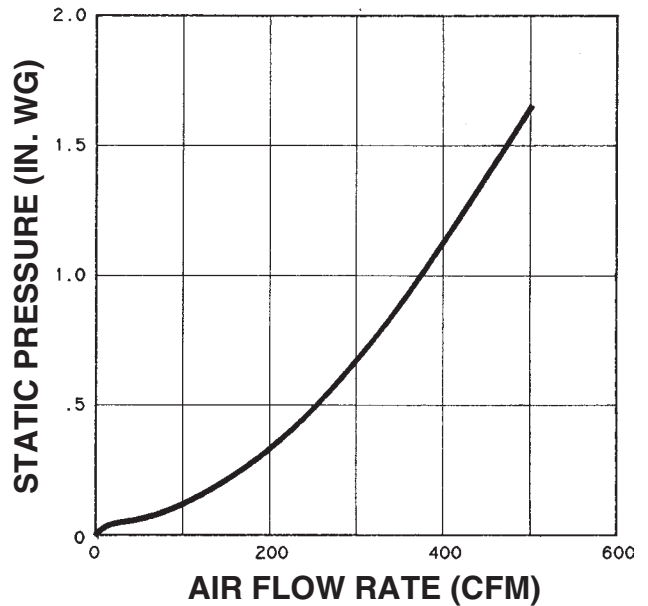
TYPICAL SPECIFICATION

The pressure relief damper will be Broan Model BD6.

Damper will be galvanized steel construction. It shall accept 6" round duct and include a movable collar.

Damper to be reversible (for intake or exhaust) and must work in horizontal or vertical position.

A birdscreen shall be included.



Broan-NuTone LLC, A Nortek Company, Hartford, Wisconsin 53027

REFERENCE	QTY.	REMARKS	Project	
			Location	
			Architect	
			Engineer	
			Contractor	
			Submitted by	Date