

MODEL 89000 DELUXE DUCTED RANGE HOOD



The "State of the Art" in range hood construction

FEATURES

- Infinite speed slide control with solid state blower memory
- Two-position light switch for "bright" or "night-light" illumination
- Bright polymeric light lens (accepts 2 - 75W bulbs)
- High efficiency dual centrifugal blower with resilient anti-vibration motor mounts
- Broan Heat Sentry™ - automatically turns blower to high speed when excess cooking heat is detected
- Two washable aluminum filters
- Mitered sides and hemmed bottom for safety and good looks
- Damper/duct connector included
- Contemporary styling in Stainless Steel
- Available in 30", 36", 42" and 48" widths
- **Special Order Colors** - White, Almond, Black and Biscuit
- **Special Order Sizes** - 33" and 39" (Stainless Steel, White, Almond and Biscuit only)
- **Special Order Size** - 48" (All colors)

SPECIFICATIONS

VOLTS	AMPS	RPM	SONES		CFM		DUCT
			VER.	HOR.	VER.	HOR.	
120	6.0	1650	6.0	7.0	460	440	3¼" x10"

HVI certified ratings comply with testing procedures prescribed by the Home Ventilating Institute. Ratings are at 0.1 in. static pressure. Sones are a measure of loudness and are measured in HVI's semi-reverberant sound test room.



TYPICAL SPECIFICATION

Range hood shall be Broan Model 89000.

Unit shall have a backdraft damper and be ducted vertically (horizontally) to the outside.

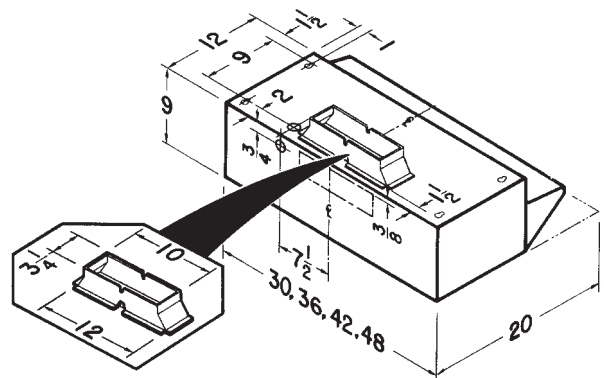
Unit shall have washable aluminum filters.

Unit shall have a permanently lubricated, dual centrifugal blower resiliently mounted and controlled with an infinite speed, solid state control. RPM not to exceed 1650.

Hood shall have an infinite speed slide control with memory and a separate, two-position light switch. Sides shall be mitered and bottom hemmed - with no sharp edges.

Air delivery shall be no less than 460 CFM and sound levels no greater than 6.0 Sones (vertical discharge), 440 CFM and 7.0 Sones (horizontal discharge). All air and sound ratings shall be certified by HVI.

Unit shall be U.L. listed.



Broan-NuTone LLC, 926 West State Street, Hartford, WI 53027 (1-800-637-1453)

REFERENCE	QTY.	REMARKS	Project
			Location
			Architect
			Engineer
			Contractor
			Submitted by Date