



Fresh Air Systems - 180 CFM

HRV

Top ports: B180H75RT

65 to 193 CFM @ 0.4 in. w.g.
65 to 184 CFM @ 0.6 in. w.g.



Parts/Motor

HRV Core

Visit Broan-NuTone.com for complete warranty text.

The industry's most advanced residential fresh air system, created to offer a universal platform specifically designed and improved to make contractors life easier and more profitable while delivering constant superior air quality.

- Thanks to the Virtuo Air Technology™, the airflow calibration and auto-balancing are achieved quickly and maintained throughout the life of the product
- Select the desired CFM using the proven integrated LCD screen
- Integrated electronic airflow measurement device with real time LCD
- Integrated diagnostic tool
- Equipped with PMSM ECM motors for energy efficient operation
- Suspended installation (chains included)
- OR
- Wall-mount installation (universal brackets included)
 - installation with 2 brackets
 - installation with 4 brackets

Unit Description

- SRE of 75% at 32°F (81 CFM) and 68% at -13°F (83 CFM)
- SRE of 78% at 32°F (64 CFM)
- Ports size: 6"
- Recirculation defrost
- Corrosion resistant galvanized steel door and cabinet
- One-piece molded insulation shell, no air leakage (expanded polystyrene; UL 94 HF-1 certified)
- Virtuo constant airflow and auto-balancing device (patent pending)
- Motorized dampers (no additional backdraft dampers required)
- Integrated "snap-in" drain system installed in seconds with no additional parts (drain hose included)
- Recirculate air within the dwelling with recirculation mode using a main wall control
- 6' power cord
- Unit electrical characteristics: 120 volts, 60 Hz, 3 A, 200 W
- For residential indoor installation only

Controls



There are 4 optional main controls and 2 optional auxiliary controls available. Refer to Wall Control specification sheet for more information.

Core

- Polypropylene crossflow core, impact resistant

Filters

- MERV 8 grade washable standard filter (included)

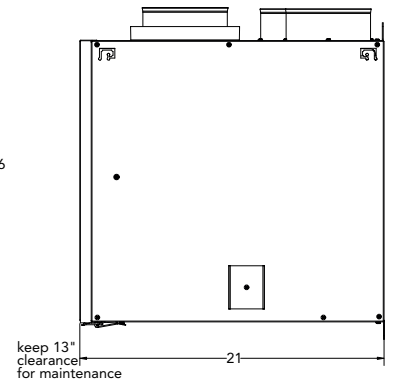
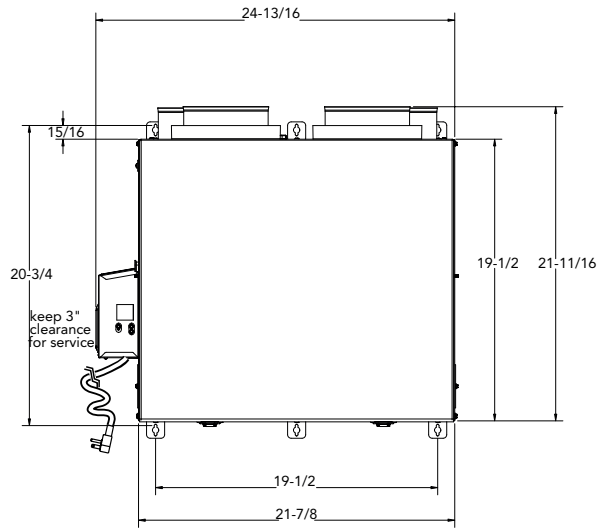
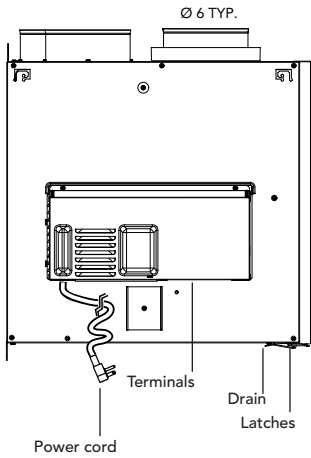
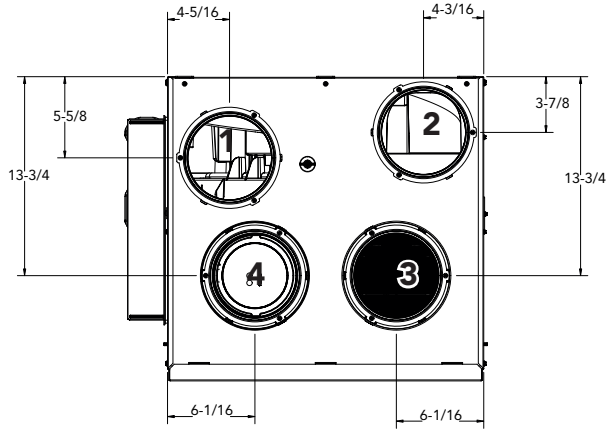
Options

- Indoor and outdoor terminations

6" Ports Dimensions

- 1 - Exhaust air from building
- 2 - Fresh air to building
- 3 - Exhaust air to outside
- 4 - Fresh air from outside

Total assembled weight: approx 47 lbs (21.4 kg) (core included)
 Shipping weight: approx 55 lbs (25 kg)

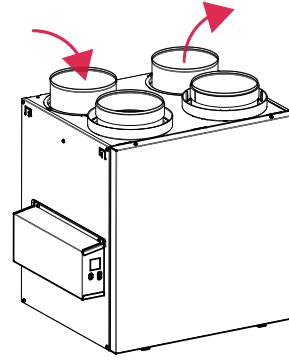


Dimensions shown in inches

Defrost System

Homeshield™ Defrosting System

No negative pressure is created by air exhausted to the outdoors since the air is recirculated into the house, helping to prevent any backdraft.

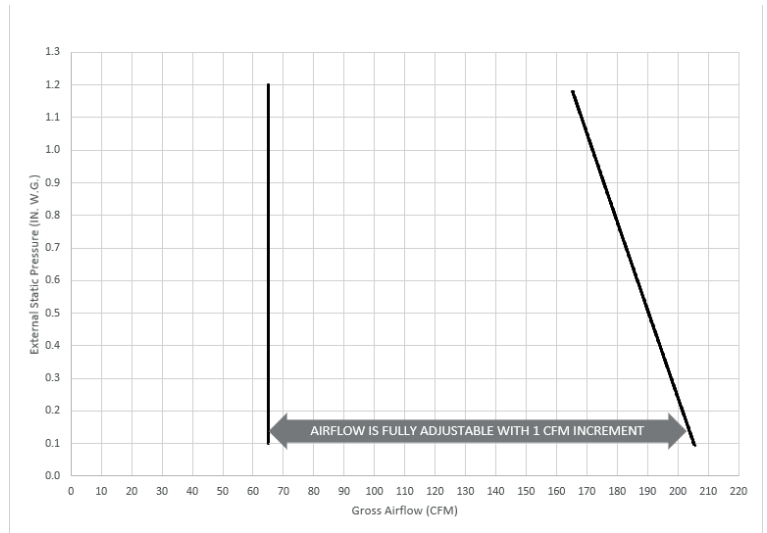


Fan Curves with Virtuio

Thanks to Virtuio Air Technology™, there is no need to balance the unit manually. Both PMSM ECM motors are controlled by artificial intelligence performing 120 readings per minute then processing this information to maintain the requested airflow.

For typical installation, Virtuio will ensure balanced ventilation at every selected speed regardless of the weather conditions, the type of connection, the variable speed furnace/AHU, the stack effect, the filter clogging and so on. This results in peace of mind for installers and users knowing that the unit will always remain balanced and that it will maintain its maximum heat/energy recovery efficiency.

STATIC PRESSURE (PA)	STATIC PRESSURE (IN. W.G.)	NET SUPPLY AIRFLOW (L/S)	NET SUPPLY AIRFLOW (CFM)	GROSS AIRFLOW SUPPLY (L/S)	GROSS AIRFLOW SUPPLY (CFM)	GROSS AIRFLOW EXHAUST (L/S)	GROSS AIRFLOW EXHAUST (CFM)
25	0.1	96	203	97	206	97	206
50	0.2	94	199	95	201	95	201
75	0.3	92	195	93	197	93	197
100	0.4	91	193	92	195	92	195
125	0.5	89	189	90	191	90	191
150	0.6	87	184	88	186	88	186
175	0.7	85	180	86	182	86	182
200	0.8	83	176	85	180	85	180
225	0.9	82	174	83	176	83	176
250	1.0	80	170	81	172	81	172
275	1.1	78	165	79	167	79	167
300	1.2	77	163	78	165	78	165



Energy Performance

SUPPLY TEMPERATURE		NET AIRFLOW		POWER CONSUMED WATTS	SENSIBLE RECOVERY EFFICIENCY	ADJUSTED SENSIBLE RECOVERY EFFICIENCY	APPARENT SENSIBLE EFFECTIVENESS*
°C	°F	L/s	CFM				
HEATING							
0	32	30	64	22	78%	80%	82%
0	32	38	81	31	75%	77%	79%
0	32	76	161	121	67%	71%	72%
-25	-13	39	83	48	68%	70%	80%

*Data not certified by HVI.

Requirements and Standards

- UL 1812 compliant (safety)
- Performance tested in accordance with CSA C439 Standard
- Compliant with Prop 65
- Complies with ROHS 2015/863 directive
- Can be used to comply with California Title 24 2019 Part 6 Fault Indicator Display Requirements
- Can be used to earn WA energy code credits

Project:	Remarks
Location:	
Part no.:	
Qty.:	
Submitted by: _____ Date: _____	

