



Fresh Air Systems - 140 CFM



ERV

Top ports: B160E75RT
Side ports: B160E75RS

35 to 140 CFM @ 0.2 in. w.g.
35 to 133 CFM @ 0.4 in. w.g.



Parts/Motor/ERV Core



Visit www.broan-nutone.com for complete warranty text.

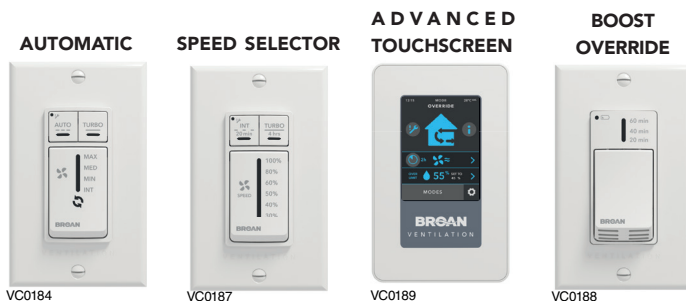
The industry's most advanced residential fresh air system, created to offer a universal platform specifically designed and improved to make contractors life easier and more profitable while delivering constant superior air quality.

- Thanks to the Virtuo Air Technology™, the airflow calibration and auto-balancing are achieved quickly and maintained throughout the life of the product
- Select the desired CFM (from 35 to 140 CFM) using the proven integrated LCD screen
- Integrated electronic airflow measurement device with real time LCD
- Integrated diagnostic tool
- Equipped with PMSM ECM motors for energy efficient operation
- Suspended installation (chains included)
OR
- Wall-mount installation (universal brackets included)
 - installation with 2 brackets
 - installation with 4 brackets

Unit Description

- SRE of 75% at 32°F (65 CFM) and 63% at -13°F (66 CFM)
- Ports size: 6"
- Recirculation defrost
- Corrosion resistant galvanized steel door and cabinet
- One-piece molded insulation shell, no air leakage (expanded polystyrene; UL 94 HF-1 certified)
- Virtuo constant airflow and auto-balancing device (patent pending)
- Motorized dampers (no additional backdraft dampers required)
- No drain required
- Recirculate air within the dwelling with recirculation mode using a main wall control
- 6' power cord
- Unit electrical characteristics: 120 volts, 60 Hz, 2.4 A, 163 W

Controls



There are 4 optional main controls and 2 optional auxiliary controls available. Refer to Wall Control specification sheet for more information.

Core

- Polypropylene crossflow core with polymeric membrane and aluminum covers, impact resistant, non washable
- Dimensions: 12" x 12" x 9" (30.5 cm x 30.5 cm x 23 cm)

Filters

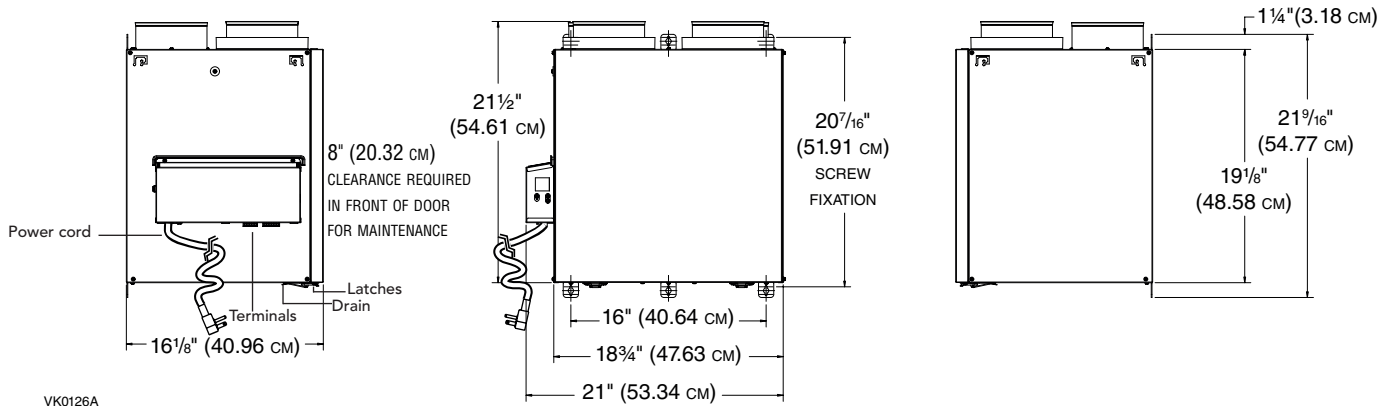
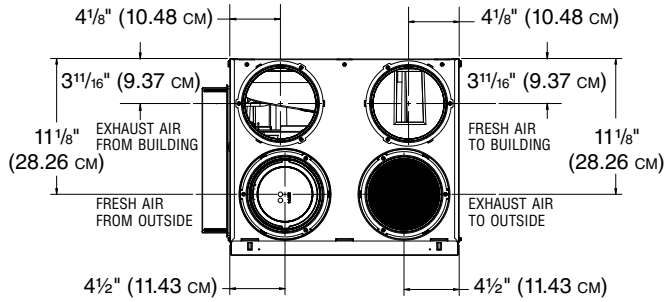
- MERV 8 grade washable standard filter (included)
- Optional MERV13 grade filter part no. V24285
- Optional HEPA media type filter part no. V25000

Options

- Compatible with the Tandem transition (part no. VTYIK1) (recommended for installations producing up to 110 CFM only)

6" Ports Dimensions (Top Ports)

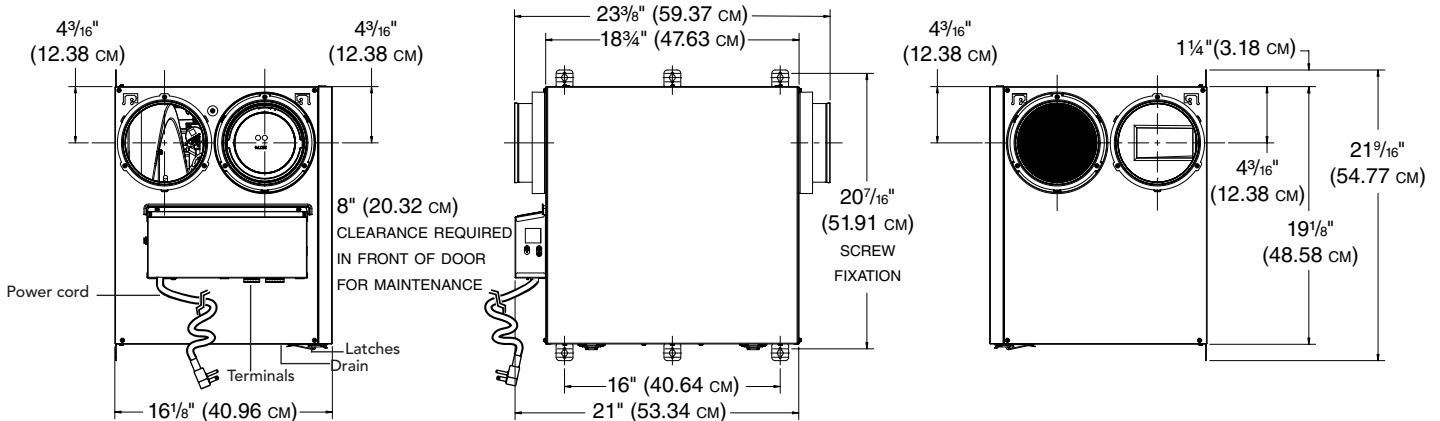
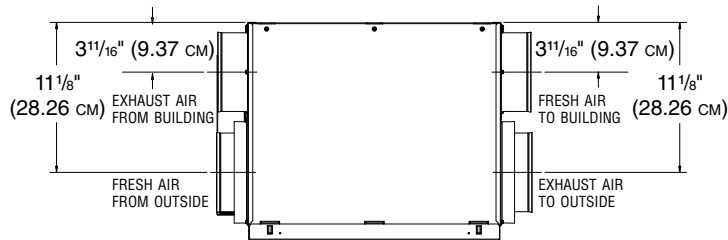
Total assembled weight: approx 37 lbs (16.8 kg) (core included)
Shipping weight: approx 44 lbs (20 kg)



VK0126A

6" Ports Dimensions (Side Ports)

Total assembled weight: approx 37 lbs (16.8 kg) (core included)
Shipping weight: approx 44 lbs (20 kg)

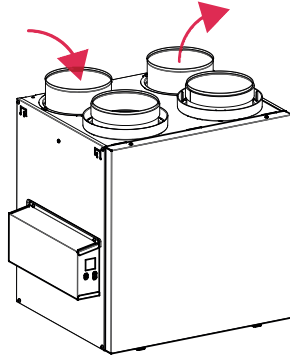


VK0125A

Defrost System

Homeshield™ Defrosting System

No negative pressure is created by air exhausted to the outdoors since the air is recirculated into the house, helping to prevent any backdraft.



| DISCRETION (Factory setting) | OUTDOOR TEMPERATURE* | | | | | |
|---------------------------------|------------------------------|-----------------------|--------------------------------|-----------------------|----------------------------------|-----------------------|
| | -5°C TO -15°C 23°F TO 5°F | | -15°C TO -27°C 5°F TO -17°F | | -27°C AND LESS -17°F AND LESS | |
| CFM | AIR EXCHANGE IN MINUTES | DEFROST IN MINUTES | AIR EXCHANGE IN MINUTES | DEFROST IN MINUTES | AIR EXCHANGE IN MINUTES | DEFROST IN MINUTES |
| 0 to 59 | 25 | 6 | 14 | 5 | 13 | 7 |
| 60 to 104 | 25 | 6 | 15 | 5 | 14 | 7 |
| 105 and more | 15 | 6 | 10 | 5 | 9 | 7 |

*Outdoor temperature is read by a thermistor located inside the unit, next to fresh air from outdoor port.

NOTE: There is a 10-minute additional defrost every 5 defrost cycles.

| Plus | OUTDOOR TEMPERATURE* | | | | | |
|--------------|------------------------------|-----------------------|--------------------------------|-----------------------|----------------------------------|-----------------------|
| | -5°C TO -15°C 23°F TO 5°F | | -15°C TO -27°C 5°F TO -17°F | | -27°C AND LESS -17°F AND LESS | |
| CFM | AIR EXCHANGE IN MINUTES | DEFROST IN MINUTES | AIR EXCHANGE IN MINUTES | DEFROST IN MINUTES | AIR EXCHANGE IN MINUTES | DEFROST IN MINUTES |
| 0 to 59 | 25 | 7 | 14 | 7 | 12 | 8 |
| 60 to 104 | 25 | 7 | 15 | 7 | 13 | 8 |
| 105 and more | 15 | 7 | 10 | 7 | 9 | 8 |

*Outdoor temperature is read by a thermistor located inside the unit, next to fresh air from outdoor port.

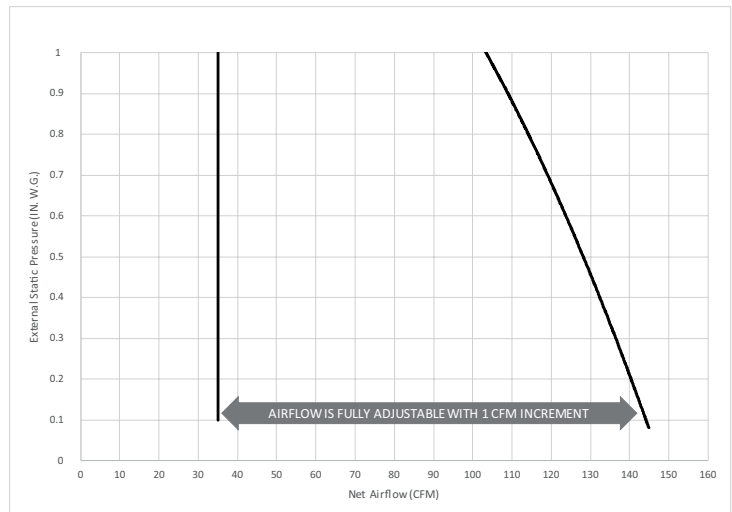
NOTE: There is a 10-minute additional defrost every 5 defrost cycles.

Fan Curves with Virtuo

Thanks to Virtuo Air Technology™, no need to balance the unit manually. Both PMSM motors are controlled by an artificial intelligence performing 120 readings per minute then processing this information to maintain the requested airflow.

For typical installation, Virtuo will ensure a balanced ventilation at every selected speed regardless of the weather conditions, the type of connection, the variable speed furnace/AHU, the stack effect, the filter clogging and so on. This results in peace of mind for installers and users knowing that the unit will always remain balanced and that it will maintain its maximum heat/energy recovery efficiency.

| STATIC PRESSURE (Pa) | STATIC PRESSURE (IN. W.G.) | NET SUPPLY AIRFLOW (L/s) | NET SUPPLY AIRFLOW (CFM) | GROSS AIRFLOW SUPPLY (L/s) | GROSS AIRFLOW SUPPLY (CFM) | GROSS AIRFLOW EXHAUST (L/s) | GROSS AIRFLOW EXHAUST (CFM) |
|----------------------|----------------------------|--------------------------|--------------------------|----------------------------|----------------------------|-----------------------------|-----------------------------|
| 25 | 0.1 | 68 | 144 | 70 | 148 | 70 | 148 |
| 50 | 0.2 | 66 | 140 | 68 | 144 | 68 | 144 |
| 75 | 0.3 | 64 | 136 | 66 | 140 | 66 | 140 |
| 100 | 0.4 | 63 | 133 | 65 | 138 | 65 | 138 |
| 125 | 0.5 | 60 | 127 | 62 | 131 | 62 | 131 |
| 150 | 0.6 | 58 | 123 | 60 | 127 | 60 | 127 |
| 175 | 0.7 | 56 | 119 | 57 | 121 | 57 | 121 |
| 200 | 0.8 | 54 | 114 | 55 | 117 | 55 | 117 |
| 225 | 0.9 | 51 | 108 | 52 | 110 | 52 | 110 |
| 250 | 1.0 | 49 | 104 | 50 | 106 | 50 | 106 |



Fan curve not certified by HVI.

Energy Performance

| SUPPLY TEMPERATURE | | NET AIRFLOW | | POWER CONSUMED WATTS | SENSIBLE RECOVERY EFFICIENCY | ADJUSTED SENSIBLE RECOVERY EFFICIENCY | APPARENT SENSIBLE EFFECTIVENESS* | LATENT RECOVERY / MOISTURE TRANSFER |
|--------------------|-----|-------------|-----|----------------------|------------------------------|---------------------------------------|----------------------------------|-------------------------------------|
| °C | °F | L/s | CFM | | | | | |
| HEATING | | | | | | | | |
| 0 | 32 | 17 | 36 | 18 | 81% | 84% | 88% | 0.74 |
| 0 | 32 | 31 | 66 | 30 | 78% | 81% | 84% | 0.68 |
| 0 | 32 | 59 | 125 | 105 | 72% | 78% | 79% | 0.59 |
| -25 | -13 | 31 | 66 | 68 | 63% | 66% | 81% | 0.63 |
| 35 | 95 | 17 | 36 | 21 | - | - | 77% | 0.77 |
| 35 | 95 | 31 | 66 | 36 | - | - | 73% | 0.69 |
| 35 | 95 | 59 | 125 | 112 | - | - | 63% | 0.60 |

* Data not certified by HVI.

Requirements and Standards

- UL 1812 compliant (safety)
- Performance tested in accordance with CSA C439 Standard
- Complies with ROHS 2015/863 directive
- Compliant with Prop 65
- Can be used to comply with California Title 24 2019 Part 6 Fault Indicator Display Requirements
- Can be used to earn WA energy code credits

| | |
|---------------------------------|---------|
| Project: | Remarks |
| Location: | |
| Part no.: | |
| Qty.: | |
| Submitted by: _____ Date: _____ | |

