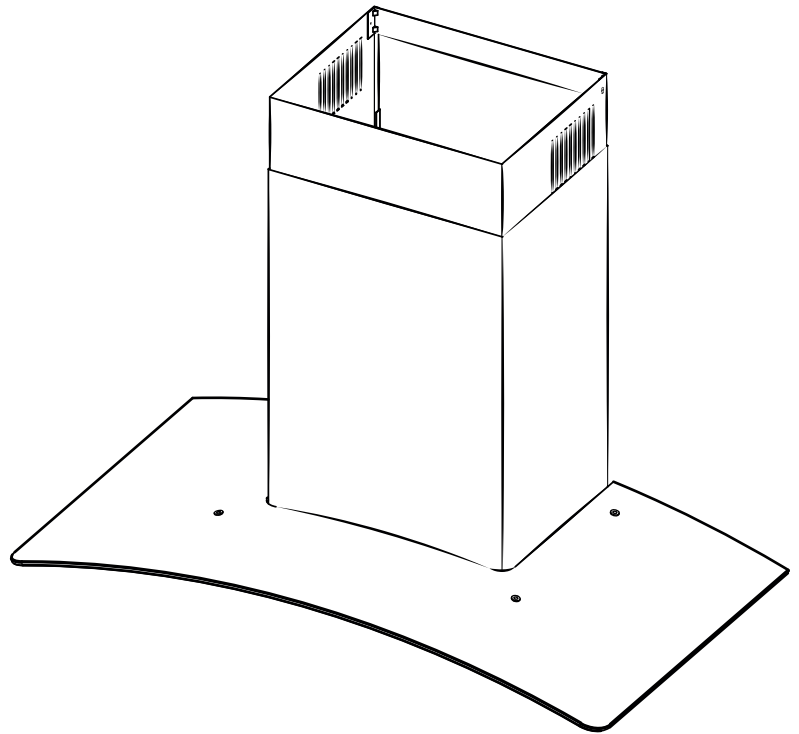


Elite
®
BROAN

CHIMNEY RANGE HOOD

EW46 Series

INSTALLATION, USE
AND CARE MANUAL



Serial number:

⚠ INTENDED FOR DOMESTIC COOKING ONLY ⚠

READ AND SAVE THESE INSTRUCTIONS

INSTALLER: LEAVE THIS MANUAL WITH HOMEOWNER.
HOMEOWNER: USE AND CARE INFORMATION ON PAGE 10.

In U.S.A., register your range hood online at www.broan.com

In Canada, register your range hood online at www.broan.ca

⚠ WARNING

TO REDUCE THE RISK OF FIRE, ELECTRIC SHOCK OR INJURY TO PERSONS, OBSERVE THE FOLLOWING:

1. Use this unit only in the manner intended by the manufacturer. If you have questions, contact the manufacturer at the address or telephone number listed in the warranty.
2. Before servicing or cleaning unit, switch power off at service panel and lock service disconnecting means to prevent power from being switched on accidentally. When the service disconnecting means cannot be locked, securely fasten a prominent warning device, such as a tag, to the service panel.
3. Installation work and electrical wiring must be done by qualified personnel in accordance with all applicable codes and standards, including fire-rated construction codes and standards.
4. Sufficient air is needed for proper combustion and exhausting of gases through the flue (chimney) of fuel burning equipment to prevent backdrafting. Follow the heating equipment manufacturer's guidelines and safety standards such as those published by the National Fire Protection Association (NFPA) and the American Society for Heating, Refrigeration and Air Conditioning Engineers (ASHRAE) and the local code authorities.
5. When cutting or drilling into wall or ceiling, do not damage electrical wiring and other hidden utilities.
6. Ducted fans must always be vented to the outdoors.
7. Do not use this unit with any solid-state speed control device.
8. To reduce the risk of fire, use only metal ductwork.
9. This unit must be grounded.
10. When applicable local regulations comprise more restrictive installation and/or certification requirements, the aforementioned requirements prevail on those of this document and the installer agrees to conform to these at his own expense.

TO REDUCE THE RISK OF A RANGE TOP GREASE FIRE:

- a) Never leave surface units unattended at high settings. Boilovers cause smoking and greasy spillovers that may ignite. Heat oils slowly on low or medium settings.
- b) Always turn hood ON when cooking at high heat or when flambeing food (i.e.: Crêpes Suzette, Cherries Jubilee, Peppercorn Beef Flambé).
- c) Clean ventilating fans frequently. Grease should not be allowed to accumulate on fan, filters or in exhaust ducts.
- d) Use proper pan size. Always use cookware appropriate for the size of the surface element.

⚠ WARNING

TO REDUCE THE RISK OF INJURY TO PERSONS IN THE EVENT OF A RANGE TOP GREASE FIRE, OBSERVE THE FOLLOWING*:

1. SMOTHER FLAMES with a close-fitting lid, cookie sheet or metal tray, then turn off the burner. BE CAREFUL TO PREVENT BURNS. IF THE FLAMES DO NOT GO OUT IMMEDIATELY, EVACUATE AND CALL THE FIRE DEPARTMENT.
2. NEVER PICK UP A FLAMING PAN — You may be burned.
3. DO NOT USE WATER, including wet dishcloths or towels — This could cause a violent steam explosion.
4. Use an extinguisher ONLY if:
 - A. You own a Class ABC extinguisher and you know how to operate it.
 - B. The fire is small and contained in the area where it started.
 - C. The fire department has been called.
 - D. You can fight the fire with your back to an exit.

* Based on "Kitchen Fire Safety Tips" published by NFPA.

CAUTION

1. For indoor use only.
2. For general ventilating use only. Do not use to exhaust hazardous or explosive materials and vapors.
3. To avoid motor bearing damage and noisy and/or unbalanced impeller, keep drywall spray, construction dust, etc. off power unit.
4. Your hood motor has a thermal overload which will automatically shut off the motor if it becomes overheated. The motor will restart when it cools down. If the motor continues to shut off and restart, have the hood serviced.
5. The minimum hood distance above cooktop must not be less than 24". For best capture of cooking impurities, the bottom of the hood should be at a maximum of 30" above cooking surface.
6. Two installers are recommended because of the large size and weight of this unit.
7. To reduce the risk of fire and to properly exhaust air, be sure to duct air outside — Do not exhaust air into spaces within walls or ceiling or into attics, crawl space or garage.
8. Because of the high exhausting capacity of this unit, you should make sure enough air is entering the house to replace exhausted air by opening a window close to or in the kitchen.
9. To reduce the risk of fire and electrical shock, the Broan Elite EW46 Series models should only be installed with their own built-in blower.
10. When used in recirculation mode, to reduce the risk of fire and shock, use only conversion kit model ARKEW46.
11. Please read specification label on product for further information and requirements.

TABLE OF CONTENTS

1. PREPARE INSTALLATION	3	10. DUCT CONNECTION	7
2. SELECT INSTALLATION TYPE	3	11. PREPARE THE DECORATIVE FLUE	8
3. BUILD FRAMEWORK	4	12. INSTALL THE DECORATIVE FLUE	8-9
4. INSTALL UPPER FLUE MOUNTING BRACKET (DUCTED INSTALLATION ONLY)	4	13. REINSTALL GREASE FILTERS	9
5. INSTALL PLENUM (NON-DUCTED INSTALLATION ONLY)	4	14. OPERATION	10
6. REMOVE GREASE FILTERS	5	15. CARE	10
7. ADJUST THE HOOD MOUNTING BRACKETS	5	16. REPLACEMENT PARTS	11
8. INSTALL THE HOOD	5	17. WARRANTY	12
9. CONNECT WIRING	6		

1. PREPARE INSTALLATION

NOTE: Before proceeding to the installation, check the contents of the box. If items are missing or damaged, contact the retailer.

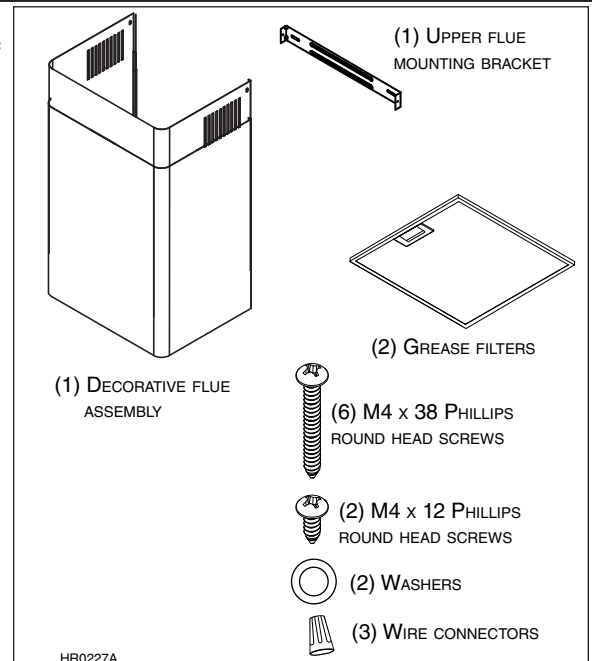
Make sure that the following items are included:

- Hood
- Decorative flue assembly (lower and upper flues)
- Upper flue mounting bracket
- Aluminum grease filters (2)
- Installation instructions
- Parts bag: 6 M4 x 38 Phillips 9 mm round head mounting screws, 2 M4 x 12 Phillips 9 mm round head screws, 2 washers and 3 wire connectors

Parts sold separately:

- Ducts, elbows, wall and roof caps.
- Optional flue extension for ceilings of 9 ft. or more: models AEEW46SS (stainless steel).
- Non-duct kit model ARKEW46, mandatory for non-ducted installation.

NOTE: During installation, protect countertop and/or cooktop.



2. SELECT INSTALLATION TYPE

⚠ WARNING

When performing installation, servicing or cleaning the unit, it is recommended to wear safety glasses and gloves.

2.1 NON-DUCTED INSTALLATION

The ARKEW46 non-duct kit is required for a non-ducted installation.

2.2 DUCTED INSTALLATION

Plan where and how the ductwork will be installed.

A straight, short duct run will allow the hood to perform most efficiently. Long duct runs, elbows and transitions will reduce the performance of the hood. Use as few of them as possible. Larger ducting may be required for longer duct runs.

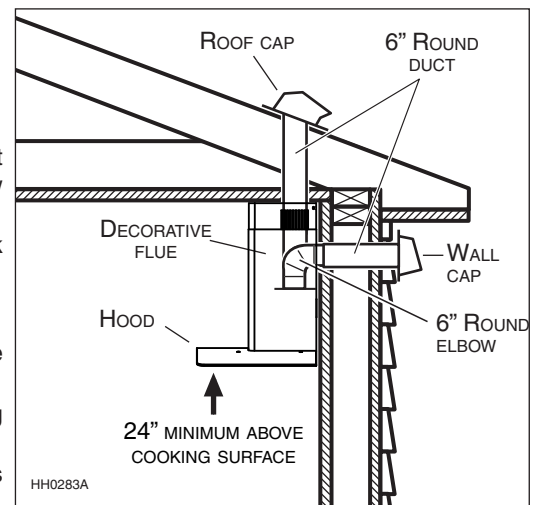
Install wall or roof cap. Connect 6" round metal ductwork to cap and work back towards the hood location. Use 2" metal foil duct tape to seal the joints.

2.3 ALL INSTALLATIONS

The minimum hood distance above cooktop is 24". A maximum of 30" above cooktop is recommended for best capture of cooking impurities.

Distances over 30" are at the installer and users discretion providing that ceiling height and decorative flue length allow it.

NOTE: Ceilings of 9 ft. or more require flue extension model AEEW46SS (stainless steel).



3. BUILD FRAMEWORK

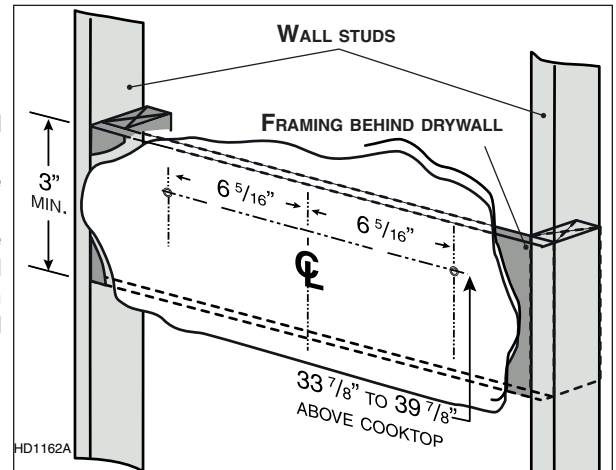
⚠ WARNING

- When cutting or drilling into wall, do not damage electrical wiring and other hidden utilities.
- When building framework, always follow all applicable construction codes and standards.

Construct wood wall framing that is even with the surface of wall studs. Wood wall framing must be at least 1/2" thick and 3" high. Fasten wood wall framing to wall studs for a solid installation.

Make sure that the height of the framing will allow the retaining screws to be secured to the framing within the dimensions shown.

After wall surface is finished, using a level, draw a vertical line up to the ceiling starting from the center of the planned hood location. Measure and mark the retaining screw locations using the measurements given in illustration at right. Insert 2 M4 x 38 Phillips 9 mm round head mounting screws in wall framing; do not completely tighten the screws at this time.

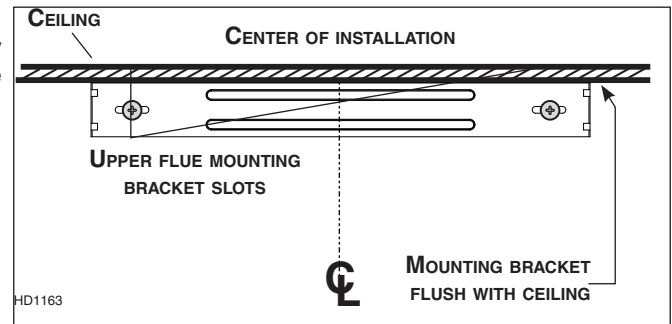


33 7/8" = BOTTOM OF HOOD 24" ABOVE COOKTOP
 39 7/8" = BOTTOM OF HOOD 30" ABOVE COOKTOP

4. INSTALL UPPER FLUE MOUNTING BRACKET (DUCTED INSTALLATION ONLY)

Center the upper flue mounting bracket with the center line previously drawn in step 3 and place it flush with the ceiling. Use the upper flue mounting bracket as a template to mark the position of its screws.

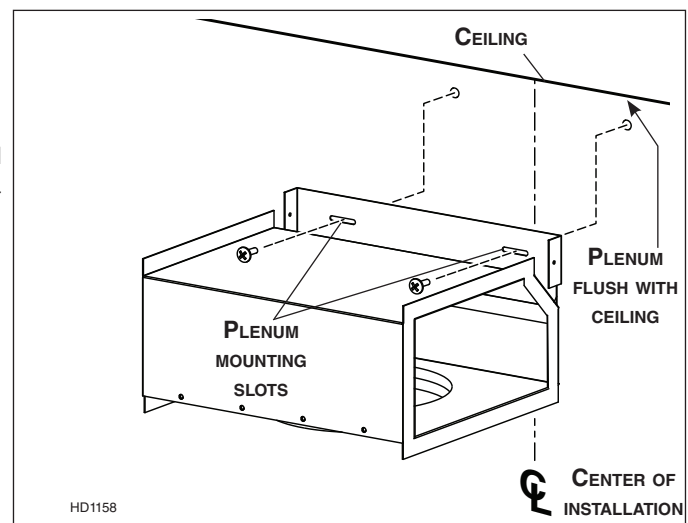
Secure the upper flue mounting bracket to the wall using 2 M4 x 38 Phillips 9 mm round head mounting screws. Make sure that the bracket is tight against the wall.



5. INSTALL PLENUM (NON-DUCTED INSTALLATION ONLY)

Center the plenum with the center line previously drawn in step 3 and place it flush with the ceiling. Use the plenum mounting slots as a template to mark the position of its screws.

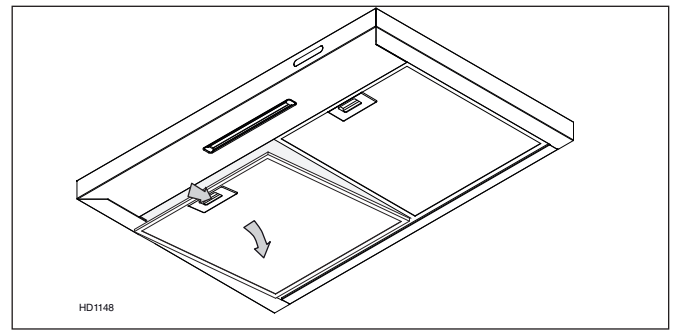
Secure the plenum to the wall using 2 M4 x 38 Phillips 9 mm round head mounting screws. Make sure that the plenum is tight against the wall.



6. REMOVE GREASE FILTERS

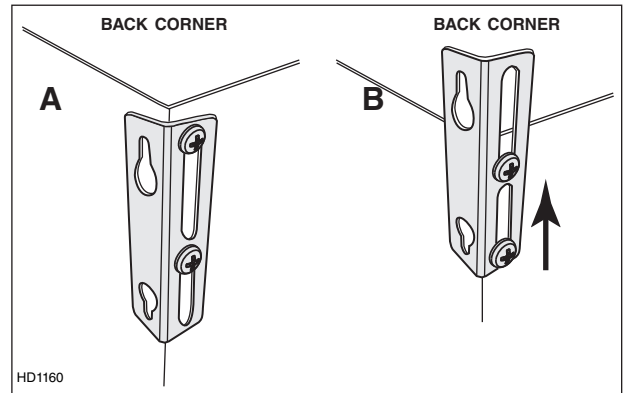
Lay the back side of the hood flat on a table. Use a piece of cardboard to avoid damaging the table or the hood.

To remove the grease filters, pull down on the metal latch tab and tilt each filter downward. Set filters aside.



7. ADJUST THE HOOD MOUNTING BRACKETS

Both hood mounting brackets, located on top back corners of the unit, are factory sent in down position (A). For each bracket, loosen both retaining screws, then lift up bracket as shown in B, then tighten the screws.

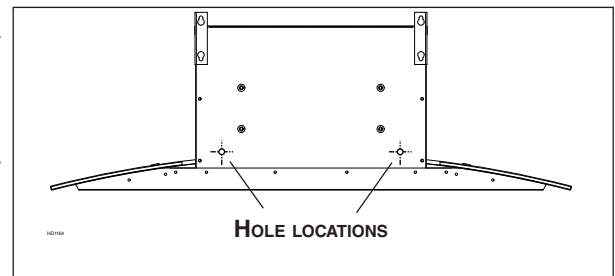


8. INSTALL THE HOOD

⚠ WARNING

BE CAREFUL when installing the decorative flue and hood, they may have sharp edges.

1. Align the hood with the center line previously marked on the wall. Gently lower the hood until it securely engages the screws on the wall.
2. Level the hood and completely tighten the screws on the wall.
3. Secure the hood to the wall by inserting 2 M4 x 38 Phillips 9 mm round head mounting screws and 2 washers in the lower back of the hood (see back view at right). Tighten both screws completely.

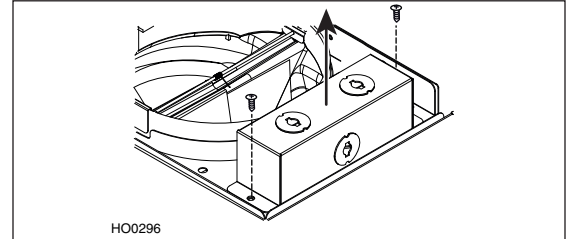


9. CONNECT WIRING

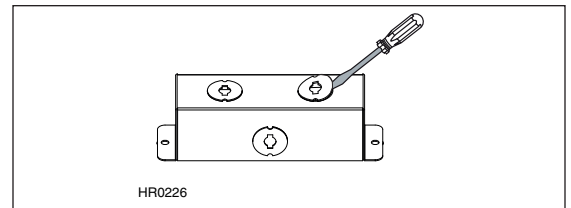
⚠ WARNING

Risk of electric shock. Electrical wiring must be done by qualified personnel in accordance with all applicable codes and standards. Before connecting wires, switch power off at service panel and lock service disconnecting means to prevent power to be switched on accidentally.

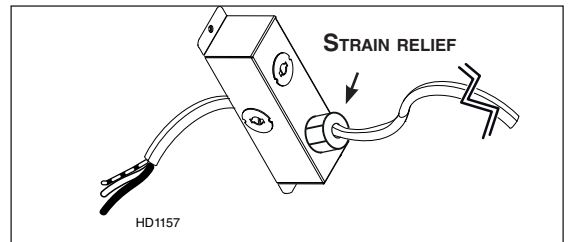
Detach the junction box cover from the top of the hood by removing both retaining screws. Set aside the cover and the screws.



Remove a knockout from the junction box cover top.

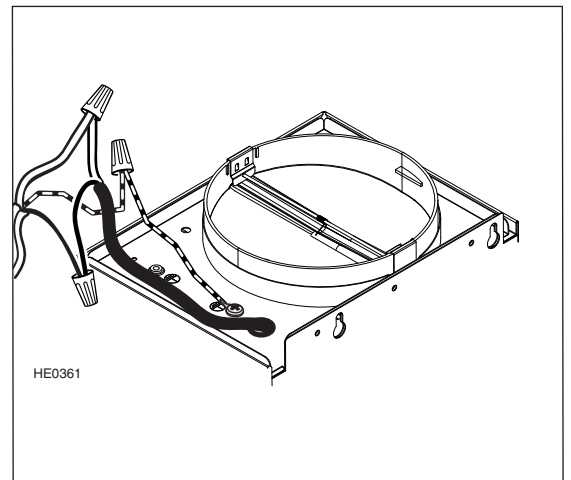


Install a UL approved strain relief (not included) on the house power cable at 4" from the cable end. Run the power cable in the junction box cover opening, then use the strain relief to secure the house power cable to the junction box cover.



Connect power cable to range hood wiring using included wire connectors. Connect BLACK to BLACK, WHITE to WHITE and GREEN or BARE WIRE to GREEN. **DO NOT FORGET TO CONNECT THE GROUND.**

Reinstall the junction box cover. Make sure all wires are inside the junction box cover.



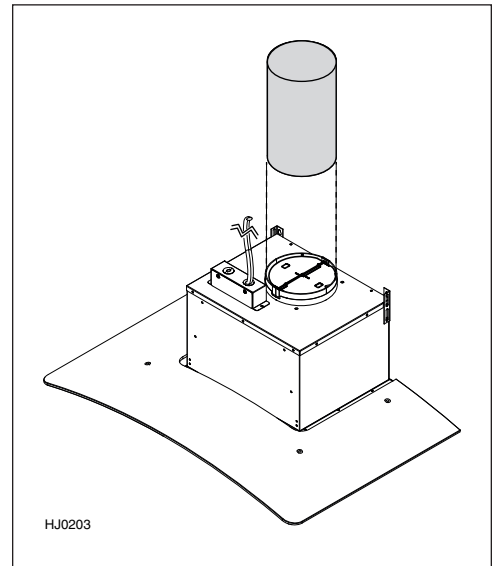
CAUTION

Make sure not to pinch any wire when reinstalling the junction box cover.

10. DUCT CONNECTION

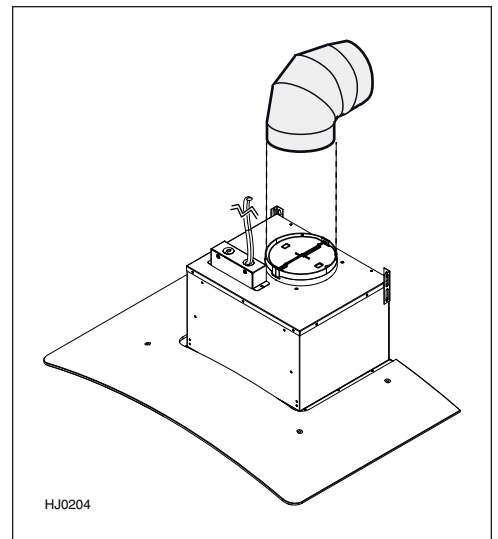
VERTICALLY DUCTED INSTALLATION:

Slide a 6" round metal duct section over the adapter/damper on the hood up to the roof cap. Use metal foil duct tape to seal the joint.



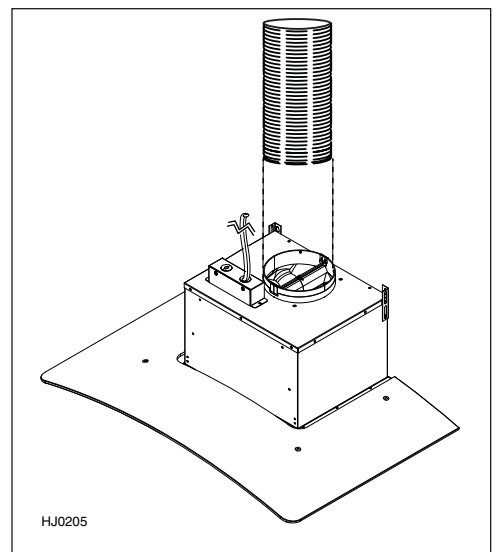
HORIZONTALLY DUCTED INSTALLATION:

Measure and install 6" round metal ductwork to wall cap and 90° elbow over duct collar then install the 90° elbow over the adapter/damper on the hood. Use metal foil duct tape to seal the joints.



NON-DUCTED INSTALLATION:

Remove the damper flaps. Measure the length of 6" round flexible duct (included in the non-duct kit) required from the top of the hood to the plenum. Slide the 6" round flexible metal duct over the adapter on the hood. Use metal foil duct tape to seal the joint.



11. PREPARE THE DECORATIVE FLUE

CAUTION

DO NOT REMOVE the protective plastic film covering the upper flue yet.

NOTE: Both lower and upper flues are included with the hood, but for ceilings of 9 ft. or more, discard the provided lower and upper flues and use the optional flue extension, part no. AEEW46SS (stainless steel) (sold separately).

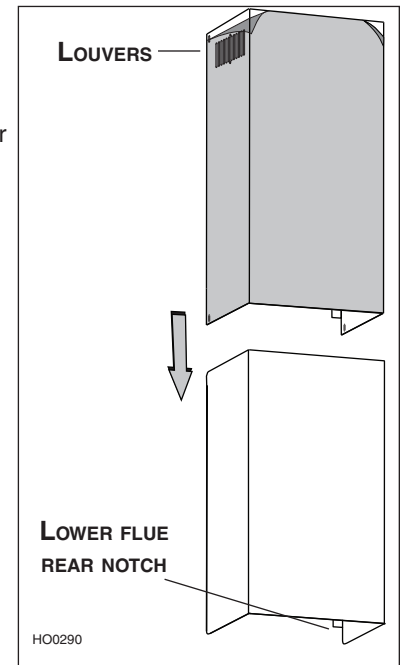
Remove the upper flue from inside the lower flue. Remove protective plastic film covering the lower flue only.

Peel off both corners at the top of the upper flue.

NOTE: For non-ducted installation only, remove enough plastic film to clear the louvers.

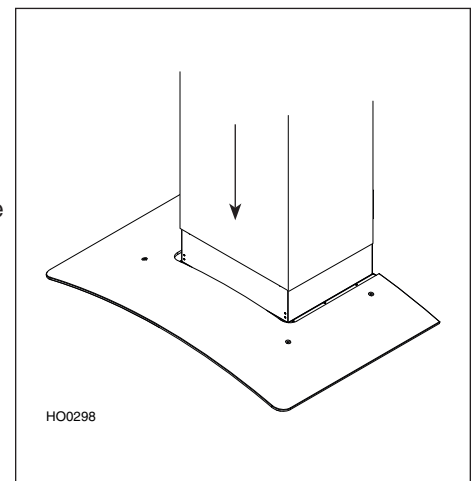
Gently slide upper flue inside lower flue, louvers end up.

NOTE: Upper flue can be reversed to hide louvers in some applications depending on installation heights.



12. INSTALL THE DECORATIVE FLUE

Carefully slide in place decorative flue base (notches end first) in the groove on the top of the hood.

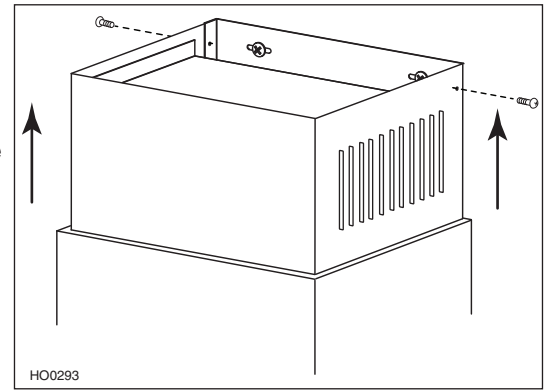


12. INSTALL THE DECORATIVE FLUE (CONTINUED)

NON-DUCTED INSTALLATION:

Slide up the upper flue until it is aligned with the plenum. Secure the upper flue to the plenum using 2 M4 x12 Phillips 9 mm round head screws.

Remove protective plastic film covering the upper flue and the hood.

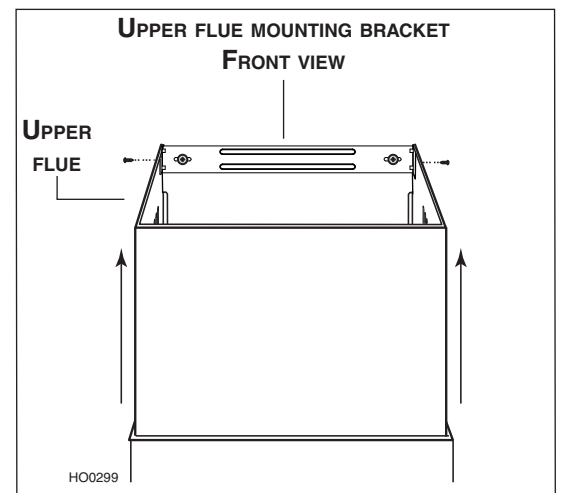


DUCTED INSTALLATION:

Slide up the upper flue until it is aligned with its mounting bracket. The bracket must be inside the flue. Secure the upper flue to its bracket using 2 M4 x12 Phillips 9 mm round head screws.

NOTE: Duct not shown in illustration to ease understanding.

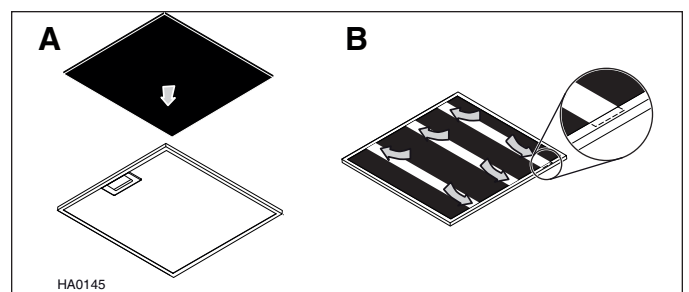
Remove protective plastic film covering the upper flue and the hood.



13. REINSTALL GREASE FILTERS

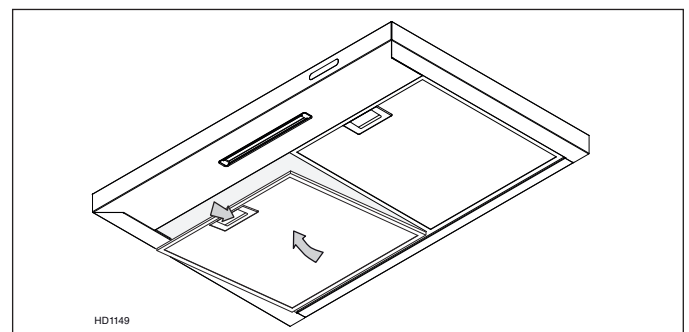
NON-DUCTED INSTALLATION:

Install a charcoal filter on each aluminum grease filter back (A). Hold the charcoal filter in place by inserting both ends of the 3 metal strips in each aluminum grease filter frame (B).



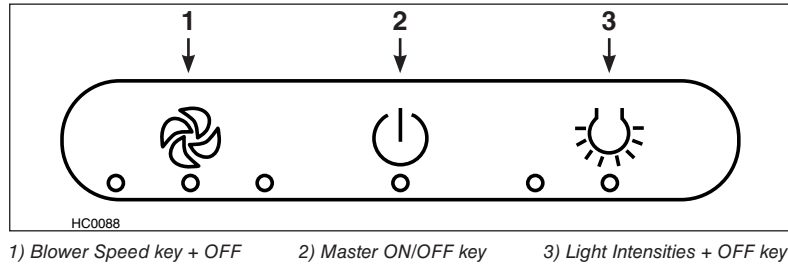
ALL INSTALLATIONS:

To reinstall the grease filters, align rear filter tabs with slots in the hood. Pull down the metal latch tab, push each filter into position and release. Make sure filters are securely engaged after installation.



14. OPERATION

Always turn your hood on before you begin cooking to establish an air flow in the kitchen. Let the blower run for a few minutes to clear the air after you turn off the range. This will help keep the whole kitchen cleaner and brighter.



1. BLOWER ON/SPEED INCREASE KEY (DOUBLE FUNCTION KEY):

Press the Blower ON/Speed increase push button to activate the blower at low speed. Press twice for medium speed and once more for high speed. The LED indicator below the key will light according to the speed level chosen (one LED = low speed, 2 LEDs = medium speed, 3 LEDs = high speed). Press once more to turn OFF the blower; the LED indicators will then shut off.

2. MASTER ON/OFF KEY

When blower and light are ON, press the Master ON/OFF to turn OFF both blower and light. When blower and light are OFF, press this key to turn ON the blower to the previous speed setting and turn ON the light at the previous light intensity.

3. LIGHT INTENSITIES + OFF KEY:

Press this key once to turn ON the light on low intensity, one LED indicator will light. Press once more to turn the light on high intensity (both LED indicators will light). Press another time to turn OFF the light (both LED indicators will then shut off).

15. CARE

Grease Filters

Grease filters should be cleaned frequently. Use a warm dishwashing detergent solution to clean the filters. Grease filters are dishwasher safe.

Clean all-metal filters in the dishwasher using a non-phosphate detergent. Discoloration of the filters may occur if using phosphate detergents, or as a result of local water conditions - but this will not affect filter performance. This discoloration is not covered by the warranty. To minimize or prevent discoloration, hand wash filters using a mild detergent.

Non-ducted Filters

Change the non-duct recirculation filters every 6 months. Purchase S99010475 for EW46 series range hoods.

Hood Cleaning

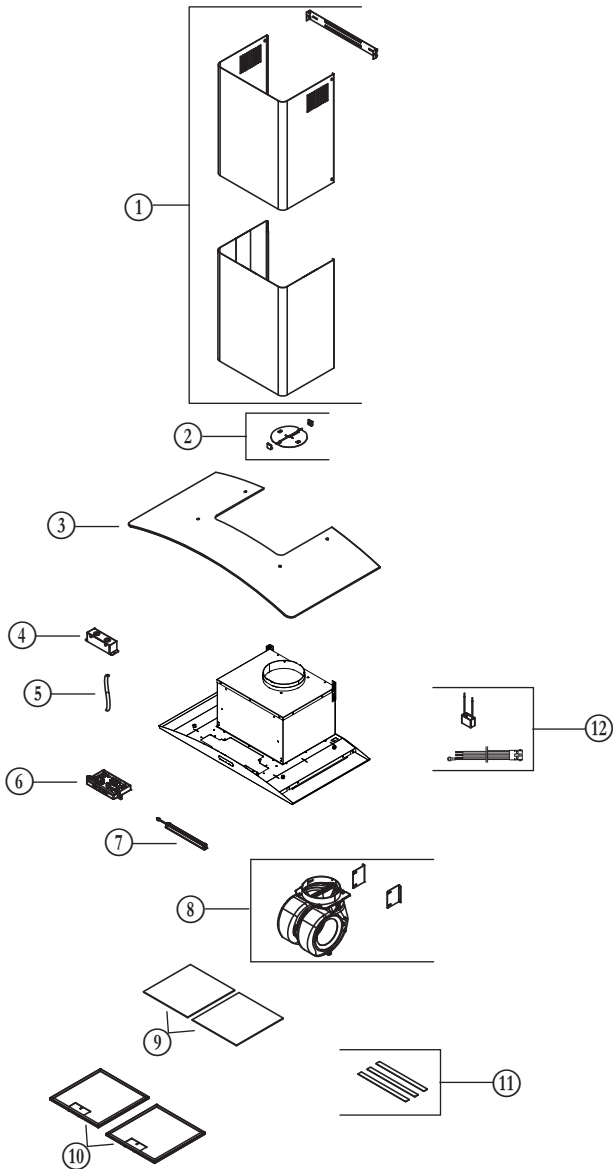
Stainless Steel Cleaning:

Do:	Don't:
<ul style="list-style-type: none">Regularly wash with clean cloth or rag soaked with warm water and mild soap or liquid dish detergent.Always clean in the direction of original polish lines.Always rinse well with clear water (2 or 3 times) after cleaning. Wipe dry completely.You may also use a specialized household stainless steel cleaner.	<ul style="list-style-type: none">Use any steel or stainless steel wool or any other scrapers to remove stubborn dirt.Use any harsh or abrasive cleansers.Allow dirt to accumulate.Let plaster dust or any other construction residues reach the hood. During construction/renovation, cover the hood to make sure no dust sticks to stainless steel surface.

Avoid when choosing a detergent:

- Any cleaners that contain **bleach** will attack stainless steel.
- Any products containing: **chloride, fluoride, iodide, bromide** will deteriorate surfaces rapidly.
- Any combustible products used for cleaning such as **acetone, alcohol, ether, benzol**, etc., are highly explosive and should never be used close to a range.

16. REPLACEMENT PARTS



REPLACEMENT PARTS AND REPAIRS

In order to ensure your unit remains in good working condition, you must use Broan-NuTone LLC or Venmar Ventilation ULC genuine replacement parts only. Broan-NuTone LLC or Venmar Ventilation ULC genuine replacement parts are specially designed for each unit and are manufactured to comply with all the applicable certification standards and maintain a high standard of safety. Any third party replacement part used may cause serious damage and drastically reduce the performance level of your unit, which will result in premature failing. Broan-NuTone LLC and Venmar Ventilation ULC recommend to contact a certified service depot for all replacement parts and repairs.

HL0457

KEY NO.	PART NO.	DESCRIPTION	30"	36"
1	S97021447	DECORATIVE UPPER AND LOWER FLUES (STAINLESS STEEL) WITH BRACKET	1	1
2	S99527461	DAMPER ASSEMBLY	1	1
3	S97021445	GLASS WITH HARDWARE	1	
	S97021446	GLASS WITH HARDWARE		1
4	S99840026	JUNCTION BOX	1	1
5	S97021448	POWER CABLE	1	1
6	S97021443	ELECTRONIC BOARD	1	1
7	S99010479	LED MODULE	1	1
8	S97021444	MOTOR ASSEMBLY	1	1
9	S99010475	NON-DUCT RECIRCULATION FILTERS (SET OF 2) (METAL STRIPS NOT INCLUDED)	1	1
10	S99010478	ALUMINUM GREASE FILTERS (SET OF 2)	1	1
11	S99010482	METAL STRIPS FOR NON-DUCT RECIRCULATION FILTERS (SET OF 3)	2	2
12	S99271685	CAPACITOR AND MAIN HARNESS ASSEMBLY	1	1
*	S97021435	PARTS BAG INCLUDING: 6 M4 x 38 PHILLIPS 9 MM ROUND HEAD MOUNTING SCREWS, 2 M4 x 12 PHILLIPS 9 MM ROUND HEAD SCREWS, 2 WASHERS, 3 WIRE CONNECTORS, 1 UPPER FLUE MOUNTING BRACKET, 2 MOUNTING BRACKETS AND 4 3/16-24 x 1/2" SCREWS	1	1

* NOT SHOWN.

17. WARRANTY

Limited Warranty

Warranty Period and Exclusions: Broan-NuTone LLC and Venmar Ventilation ULC (either being the “Company”) warrants to the original consumer purchaser of its product (“you”) that the product (the “Product”) will be free from material defects in the Product or its workmanship for a period of one (1) year from the date of original purchase (or such longer period as may be required by applicable law). The limited warranty period for any replacement parts provided by the Company and for any Products repaired or replaced under this limited warranty shall be the remainder of the original warranty period (or such longer period as may be required by applicable law).

This warranty does not cover fluorescent lamp starters, tubes, halogen and incandescent bulbs, fuses, filters, ducts, roof caps, wall caps and other accessories for ducting that may be purchased separately and installed with the Product. This warranty also does not cover (a) normal maintenance and service, (b) normal wear and tear, (c) any Products or parts which have been subject to misuse, abuse, abnormal usage, negligence, accident, improper or insufficient maintenance, storage or repair (other than repair by the Company), (d) damage caused by faulty installation, or installation or use contrary to recommendations or instructions, (e) any Product that has been moved from its original point of installation, (f) damage caused by environmental or natural elements, (g) damage in transit, (h) natural wear of finish, (i) Products in commercial or nonresidential use, or (j) damage caused by fire, flood or other act of God or (k) Products with altered, defaced or removed serial numbers. This warranty covers only Products sold to original consumers in the United States and Canada by the Company or its U.S. and Canadian distributors authorized by the Company.

This warranty supersedes all prior warranties and, subject to applicable law, is not transferable from the original consumer purchaser.

No Other Warranties: This Limited Warranty contains the Company’s sole obligation and your sole remedy for defective products. The foregoing warranties are exclusive and in lieu of any other warranties and conditions, express or implied. **THE COMPANY DISCLAIMS AND EXCLUDES ALL OTHER EXPRESS WARRANTIES AND CONDITIONS, AND DISCLAIMS AND EXCLUDES ALL WARRANTIES AND CONDITIONS IMPLIED BY LAW, INCLUDING WITHOUT LIMITATION THOSE OF MERCHANTABILITY AND FITNESS FOR A PARTICULAR PURPOSE.**

To the extent that applicable law prohibits the exclusion of implied warranties or conditions, the duration of any applicable implied warranty or condition is limited to the period specified for the express warranty above. Some jurisdictions do not allow limitations on how long an implied warranty lasts, so the above limitation may not apply to you. Any oral or written description of the Product is for the sole purpose of identifying it and shall not be construed as an express warranty.

Whenever possible, each provision of this Limited Warranty shall be interpreted in such manner as to be effective and valid under applicable law, but if any provision is held to be prohibited or invalid, such provision shall be ineffective only to the extent of such prohibition or invalidity, without invalidating the remainder of such provision or the other remaining provisions of the Limited Warranty.

Remedy: During the applicable limited warranty period, the Company will, at its option, provide replacement parts for, or repair or replace, without charge, any Product or part thereof, to the extent the Company finds it to be covered by and in breach of this limited warranty under normal use and service. The Company will ship the repaired or replaced Product or replacement parts to you at no charge. You are responsible for all costs for removal, reinstallation and shipping, insurance or other freight charges incurred in the shipment of the Product or part to the Company. If you must send the Product or part to the Company, as instructed by the Company, you must properly pack the Product or part—the Company is not responsible for damage in transit. The Company reserves the right to utilize reconditioned, refurbished, repaired or remanufactured Products or parts in the warranty repair or replacement process. Such Products and parts will be comparable in function and performance to an original Product or part and warranted for the remainder of the original warranty period (or such longer period as may be required by applicable law).

Company reserves the right, in its sole discretion, to refund the money actually paid by you for the Product in lieu of repair or replacement. If the Product or component is no longer available, replacement may be made with a similar product of equal or greater value, at Company’s sole discretion. This is your sole and exclusive remedy for breach of this limited warranty.

Exclusion of Damages: THE COMPANY’S OBLIGATION TO PROVIDE REPLACEMENT PARTS, OR REPAIR, REPLACE OR REFUND, AT THE COMPANY’S OPTION, SHALL BE YOUR SOLE AND EXCLUSIVE REMEDY UNDER THIS LIMITED WARRANTY AND THE COMPANY’S SOLE AND EXCLUSIVE OBLIGATION. THE COMPANY SHALL NOT BE LIABLE FOR INCIDENTAL, INDIRECT, CONSEQUENTIAL OR SPECIAL DAMAGES ARISING OUT OF OR IN CONNECTION WITH THE PRODUCT, ITS USE OR PERFORMANCE. Incidental damages include but are not limited to such damages as loss of time and loss of use. Consequential damages include but are not limited to the cost of repairing or replacing other property which was damaged if the Product does not work properly.

THE COMPANY SHALL NOT BE LIABLE TO YOU, OR TO ANYONE CLAIMING UNDER YOU, FOR ANY OTHER OBLIGATIONS OR LIABILITIES, INCLUDING, BUT NOT LIMITED TO, OBLIGATIONS OR LIABILITIES ARISING OUT OF BREACH OF CONTRACT OR WARRANTY, NEGLIGENCE OR OTHER TORT OR ANY THEORY OF STRICT LIABILITY, WITH RESPECT TO THE PRODUCT OR THE COMPANY’S ACTS OR OMISSIONS OR OTHERWISE.

Some jurisdictions do not allow the exclusion or limitation of incidental or consequential damages, so the above limitation or exclusion may not apply to you. This warranty gives you specific legal rights, and you may also have other rights, which vary from jurisdiction to jurisdiction. The disclaimers, exclusions, and limitations of liability under this warranty will not apply to the extent prohibited by applicable law.

This warranty covers only replacement or repair of defective Products or parts thereof at the Company’s main facility and does not include the cost of field service travel and living expenses.

Any assistance the Company provides to or procures for you outside the terms, limitations or exclusions of this limited warranty will not constitute a waiver of such terms, limitations or exclusions, nor will such assistance extend or revive the warranty.

The Company will not reimburse you for any expenses incurred by you in repairing or replacing any defective Product, except for those incurred with the Company’s prior written permission.

How to Obtain Warranty Service: To qualify for warranty service, you must (a) notify the Company at the address or telephone number stated below within seven (7) days of discovering the covered defect, (b) give the model number and part identification and (c) describe the nature of any defect in the Product or part. At the time of requesting warranty service, you must present evidence of the original purchase date. If you cannot provide a copy of the original written limited warranty, then the terms of the Company’s most current written limited warranty for your particular product will control. The most current limited written warranties for the Company’s products can be found at www.broan.com and www.broan.ca.

Broan-NuTone LLC 926 West State Street, Hartford, WI 53027 www.broan.com 800-637-1453

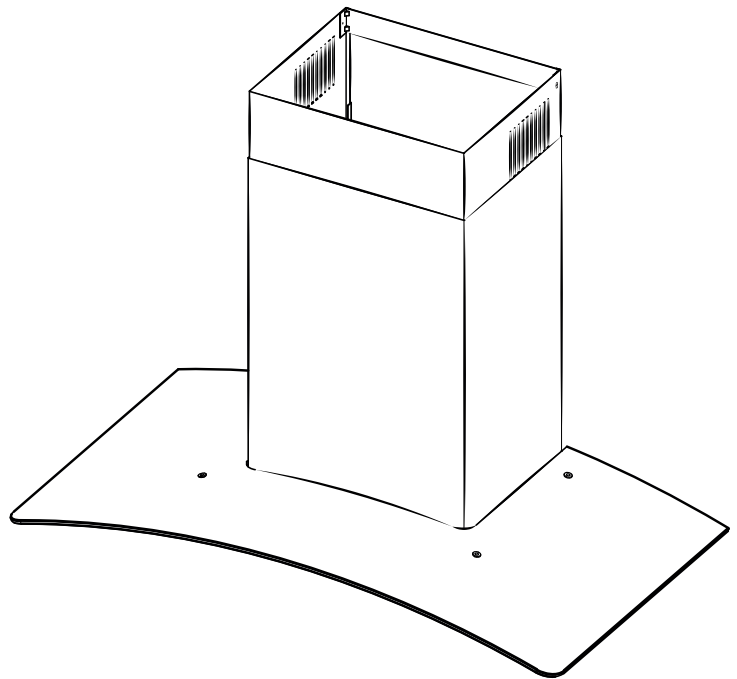
Venmar Ventilation ULC, 550 Lemire Blvd., Drummondville, Québec, Canada J2C 7W9 www.broan.ca 1-877-896-1119

Elite
®
BROAN

HOTTE CHEMINÉE

Série EW46

MANUEL D'INSTALLATION,
D'UTILISATION ET D'ENTRETIEN



Numéro de série :

⚠ CONÇUE POUR USAGE RÉSIDENTIEL SEULEMENT ⚠

LIRE ET CONSERVER CES DIRECTIVES

INSTALLATEUR : LAISSER CE GUIDE AU PROPRIÉTAIRE.

PROPRIÉTAIRE : DIRECTIVES D'UTILISATION ET D'ENTRETIEN EN PAGE 10.

Aux États-Unis, enregistrez votre hotte en ligne à www.broan.com

Au Canada, enregistrez votre hotte en ligne à www.broan.ca

⚠ AVERTISSEMENT

AFIN DE RÉDUIRE LES RISQUES D'INCENDIE, D'ÉLECTROCUTION OU DE BLESSURES CORPORELLES, SUIVEZ LES DIRECTIVES SUIVANTES :

1. N'utilisez cet appareil que de la façon prévue par le fabricant. Si vous avez des questions, contactez le fabricant à l'adresse ou au numéro de téléphone indiqués dans la garantie.
2. Avant de réparer ou de nettoyer l'appareil, couper l'alimentation électrique en verrouillant le panneau de distribution afin d'éviter sa remise en marche accidentelle. Si le panneau de distribution ne peut être verrouillé, y fixer un avertissement en évidence, telle qu'une étiquette de couleur vive.
3. Les travaux d'installation et de raccordement électrique doivent être effectués par une personne qualifiée, conformément aux codes et aux standards de construction, incluant ceux concernant la protection contre les incendies.
4. Une quantité d'air adéquate est requise afin d'assurer une bonne combustion et l'évacuation des gaz par la cheminée dans le cas des équipements alimentés au gaz afin de prévenir les retours de cheminée. Conformez-vous aux instructions et aux standards de sécurité des fabricants d'équipement de chauffage, tel qu'ils sont publiés par la National Fire Protection Association (NFPA) et l'American Society for Heating, Refrigeration and Air Conditioning Engineers (ASHRAE) ainsi que les responsables des codes locaux.
5. Veillez à ne pas endommager le câblage électrique ou d'autres équipements non apparents lors de la découpe ou du perçage du mur ou du plafond.
6. Les ventilateurs avec conduits doivent toujours évacuer l'air à l'extérieur.
7. Ne pas utiliser cet appareil avec une commande de vitesse à semi-conducteur.
8. Afin de réduire les risques d'incendie, n'utilisez que des conduits de métal.
9. Cet appareil doit être mis à la terre.
10. Afin de prévenir les risques d'électrocution, la fiche doit être branchée dans une prise de courant correctement installée et mise à la terre.
11. Lorsqu'une réglementation est en vigueur et qu'elle comporte des exigences d'installation et/ou de certification plus restrictives, lesdites exigences prévalent sur celles de ce document et l'installateur entend s'y conformer à ses frais.

AFIN DE RÉDUIRE LES RISQUES DE FEU DE CUISINIÈRE :

- a) Ne jamais laisser les appareils de cuisson sans surveillance lorsqu'ils sont réglés à feu vif. Les débordements engendrent de la fumée et des déversements graisseux pouvant s'enflammer. Chauffez l'huile lentement, à feu doux ou moyen.
- b) Mettez toujours la hotte en marche lorsque vous cuisinez à feu vif ou que vous cuisinez des mets flambés (par ex. : crêpes Suzette, cerises jubilé, steaks au poivre flambés).
- c) Nettoyez régulièrement la roue du ventilateur. Ne laissez pas la graisse s'accumuler sur le ventilateur, les filtres ou les conduits d'évacuation.
- d) Utilisez le bon format de casserole. Servez-vous toujours de casseroles et d'ustensiles appropriés à la dimension de la surface chauffante.

⚠ AVERTISSEMENT

AFIN D'ÉVITER TOUT RISQUE DE BLESSURES LORS D'UN FEU DE CUISINIÈRE, SUIVEZ CES DIRECTIVES* :

1. Éteignez les flammes avec un couvercle hermétique, une tôle à biscuits ou un plateau métallique et ensuite, éteindre le brûleur. PRENEZ SOIN D'ÉVITER les brûlures. SI LES FLAMMES NE S'ÉTEignent PAS IMMÉDIATEMENT, ÉVACUEZ LES LIEUX ET APPELEZ LES POMPIERS.
2. NE PRENEZ JAMAIS UNE CASSEROLE EN FLAMMES DANS VOS MAINS. Vous pourriez vous brûler.
3. N'UTILISEZ PAS D'EAU, incluant un linge à vaisselle ou une serviette mouillée, cela pourrait occasionner une violente explosion de vapeur.
4. N'utilisez un extincteur QUE DANS LE CAS OÙ :
 - A. Vous savez qu'il s'agit d'un extincteur de classe ABC et que vous en connaissez le fonctionnement.
 - B. Le feu est petit et limité à l'endroit où il a débuté.
 - C. Les pompiers ont été avisés.
 - D. Vous pouvez combattre le feu en ayant accès à une sortie de secours.

*Tirées du *Kitchen Fire Safety Tips* publié par la NFPA.

ATTENTION

1. Pour une utilisation à l'intérieur seulement.
2. Pour usage domestique seulement. Ne pas utiliser pour évacuer des vapeurs ou des matières dangereuses ou explosives.
3. Afin d'éviter tout dommage au moteur et de débalancer ou de rendre bruyante la roue du moteur, garder votre appareil à l'abri des poussières de gypse et de construction/rénovation, etc.
4. Le moteur de votre hotte possède une protection thermique qui éteindra automatiquement le moteur s'il devient surchauffé. Le moteur redémarrera automatiquement une fois refroidi. Si le moteur continue à arrêter et à redémarrer, faites-le vérifier.
5. La distance minimale de la hotte au-dessus de la surface de cuisson NE DOIT PAS être inférieure à 24 po. Pour une meilleure évacuation des odeurs de cuisson, la distance maximale recommandée au-dessus de la surface de cuisson est de 30 po.
6. Deux installateurs sont recommandés lors de l'installation vu la grande dimension et le poids de cet appareil.
7. Afin de réduire les risques d'incendie, assurez-vous d'évacuer l'air à l'extérieur. Ne pas évacuer l'air dans des espaces restreints comme l'intérieur des murs ou plafond ou dans le grenier, faux plafond ou garage.
8. En raison de la grande capacité d'évacuation de cette hotte, il est recommandé d'ouvrir une fenêtre dans ou près de la cuisine afin de remplacer l'air évacué.
9. Afin de réduire les risques d'incendie et d'électrocution, les hottes Broan Élite de série EW46 ne doivent être installées qu'avec leur ventilateur intérieur intégré.
10. Afin de réduire les risques de feu ou d'électrocution, si la hotte est utilisée en mode recirculation, utiliser uniquement l'ensemble de recirculation modèle ARKEW46.
11. Veuillez consulter l'autocollant apposé à l'intérieur de la hotte pour plus d'information ou d'autres exigences.

TABLE DES MATIÈRES

1. PRÉPARER L'INSTALLATION	3	9. INSTALLATION ÉLECTRIQUE	6
2. CHOISIR LE TYPE D'INSTALLATION	3	10. RACCORDER LE CONDUIT	7
3. CONSTRUIRE LA CHARPENTE	4	11. PRÉPARER LE CONDUIT DÉCORATIF	8
4. INSTALLER LE SUPPORT DE MONTAGE DU CONDUIT DÉCORATIF SUPÉRIEUR (INSTALLATION AVEC CONDUITS SEULEMENT)	4	12. INSTALLER LE CONDUIT DÉCORATIF	8-9
5. INSTALLER LE PLENUM (INSTALLATION EN RECIRCULATION SEULEMENT)	4	13. REMETTRE EN PLACE LES FILTRES À GRAISSES	9
6. RETIRER LES FILTRES À GRAISSES	5	14. FONCTIONNEMENT	10
7. AJUSTER LES SUPPORTS DE MONTAGE DE LA HOTTE	5	15. ENTRETIEN	10
8. INSTALLER LA HOTTE	5	16. PIÈCES DE RECHANGE	11
		17. GARANTIE	12

1. PRÉPARER L'INSTALLATION

NOTE : Avant de commencer l'installation, vérifier le contenu de la boîte. Si des pièces sont manquantes ou endommagées, contacter le détaillant.

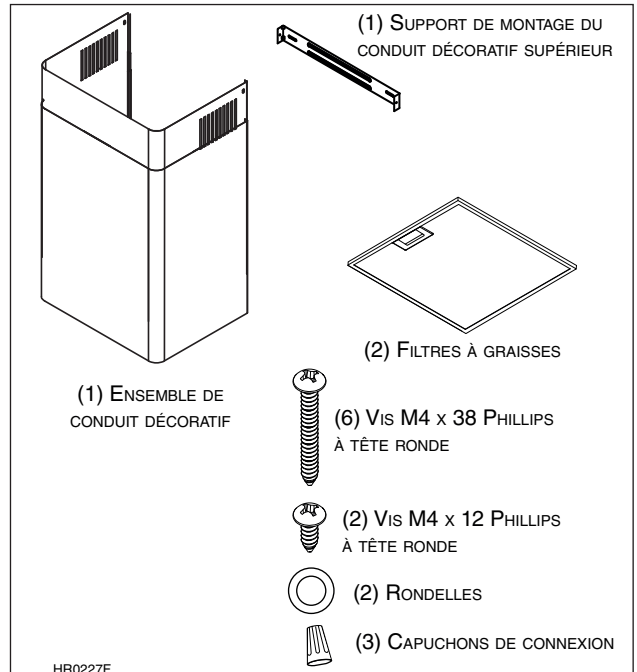
S'assurer que les articles suivants sont inclus :

- Hotte
- Ensemble conduit décoratif (inférieur et supérieur)
- Support de montage du conduit décoratif supérieur
- Filtres à graisses en aluminium
- Manuel d'installation
- Sac de pièces : 6 vis de montage M4 x 38 Phillips à tête ronde 9 mm, 2 vis M4 x 12 Phillips à tête ronde 9 mm, 2 rondelles et 3 capuchons de connexion

Pièces vendues séparément :

- Conduits, coudes, capuchons de mur ou de toit.
- Rallonge de conduit décoratif pour plafonds de 9 pi. ou plus modèles AEEW46SS (acier inoxydable).
- Ensemble de recirculation modèle ARKEW46, obligatoire pour une installation en recirculation.

NOTE : Lors de l'installation, protéger la surface de cuisson ou le comptoir de cuisine.



2. CHOISIR LE TYPE D'INSTALLATION

⚠ AVERTISSEMENT

Lors de l'installation, de l'entretien ou du nettoyage de l'appareil, il est recommandé de porter des lunettes et des gants de sécurité.

2.1 INSTALLATION EN RECIRCULATION

L'ensemble de recirculation ARKEW46 est requis pour ce type d'installation.

2.2 INSTALLATION AVEC CONDUITS

Déterminer à quel endroit et de quelle façon les conduits seront installés.

Un conduit droit et court permettra à la hotte de fonctionner plus efficacement. Un conduit long avec des coudes et des transitions réduira la performance de la hotte. En utiliser le moins possible. Pour une grande distance, un conduit d'évacuation d'air au diamètre plus grand peut être requis.

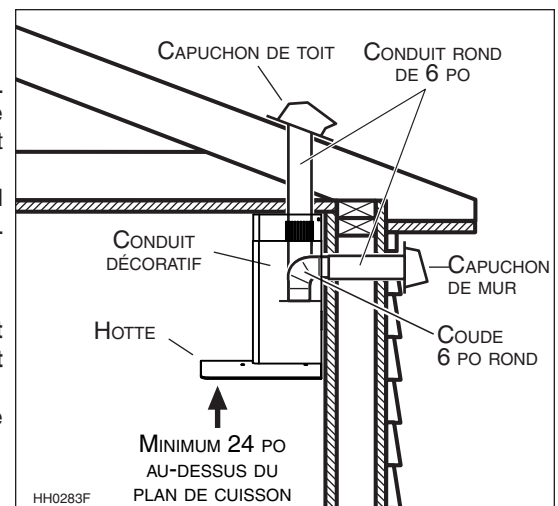
Installer un capuchon de toit ou de mur. Relier le conduit de 6 po rond en métal au capuchon, puis acheminer le conduit jusqu'à l'emplacement de la hotte. Sceller les joints avec du ruban adhésif de métal de 2 po de largeur.

2.3 TOUTES LES INSTALLATIONS

La distance minimale entre le bas de la hotte et la surface de cuisson est de 24 po. Un maximum de 30 po au-dessus de la surface de cuisson est recommandé pour une meilleure évacuation des odeurs de cuisson.

Les distances au-delà de 30 po sont à la discrétion de l'installateur et de l'utilisateur, si la hauteur du plafond et du conduit décoratif le permettent.

NOTE : Les plafonds de 9 pi. ou plus nécessitent une rallonge de conduit décoratif modèles AEEW46SS (acier inoxydable).



3. CONSTRUIRE LA CHARPENTE

⚠ AVERTISSEMENT

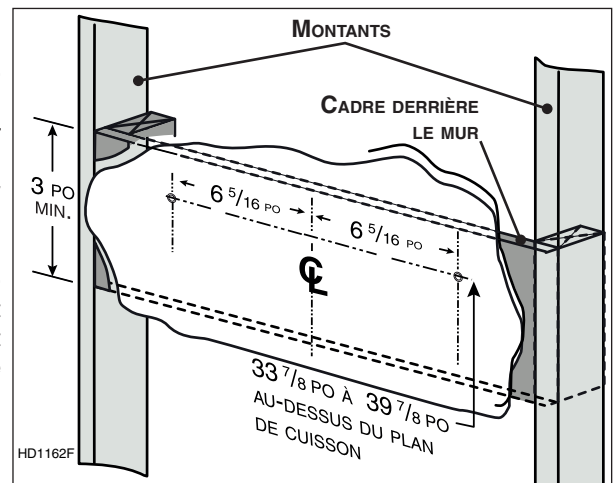
- Veillez à ne pas endommager le câblage électrique ou d'autres équipements non apparents lors de la découpe ou du perçage du mur ou du plafond.
- Lors de la construction de la charpente, toujours suivre les codes et standards de construction en vigueur.

Construire un cadre mural en bois encastré entre les montants et au même niveau que ceux-ci.

Le cadre mural doit avoir au moins 1/2 po d'épaisseur et 3 po de hauteur. Pour une installation solide, s'assurer de fixer le cadre mural aux montants.

S'assurer que la hauteur du cadre permettra au support de montage d'y être bien fixé en respectant les dimensions indiquées (voir l'illustration ci-contre).

Après la finition du mur, à l'aide d'un niveau, tracer une ligne verticale jusqu'au plafond à partir du centre de l'emplacement de la hotte. Mesurer et marquer l'emplacement des vis de retenue à l'aide des mesures apparaissant dans l'illustration à droite. Insérer 2 vis de montage M4 x 38 Phillips à tête ronde 9 mm dans le cadre du mur; ne pas serrer complètement les vis.

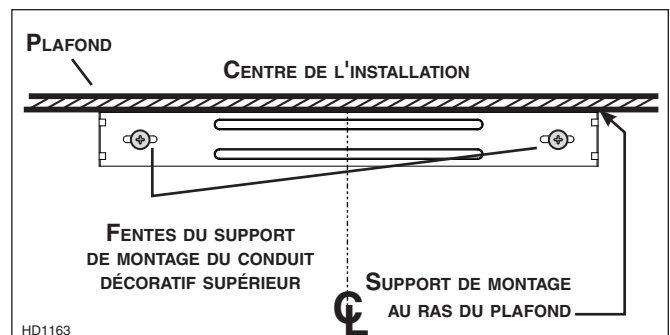


33 7/8 po = BAS DE LA HOTTE 24 po AU-DESSUS DU PLAN DE CUISSON
39 7/8 po = BAS DE LA HOTTE 30 po AU-DESSUS DU PLAN DE CUISSON

4. INSTALLER LE SUPPORT DE MONTAGE DU CONDUIT DÉCORATIF SUPÉRIEUR (INSTALLATION AVEC CONDUITS SEULEMENT)

Centrer le support de montage du conduit décoratif supérieur selon la ligne précédemment tracée à l'étape 3 et le positionner au ras du plafond. Utiliser les fentes du support comme gabarit pour marquer la position des vis.

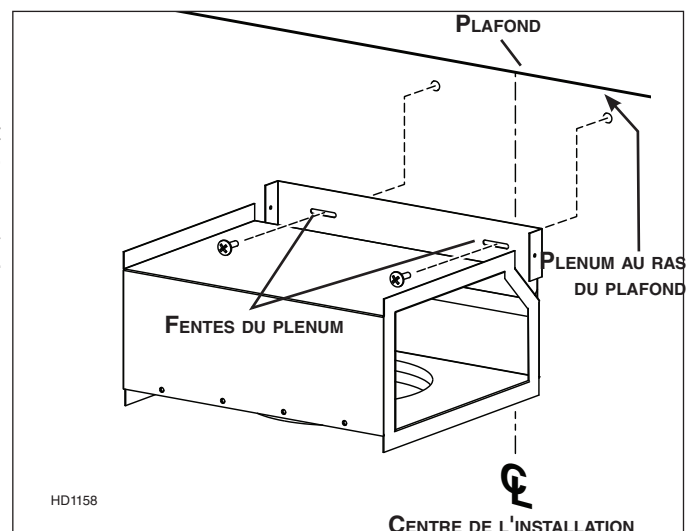
Fixer au mur le support de montage du conduit supérieur à l'aide de 2 vis de montage M4 x 38 Phillips à tête ronde 9 mm. S'assurer que le support de montage soit bien appuyé contre le mur.



5. INSTALLER LE PLENUM (INSTALLATION EN RECIRCULATION SEULEMENT)

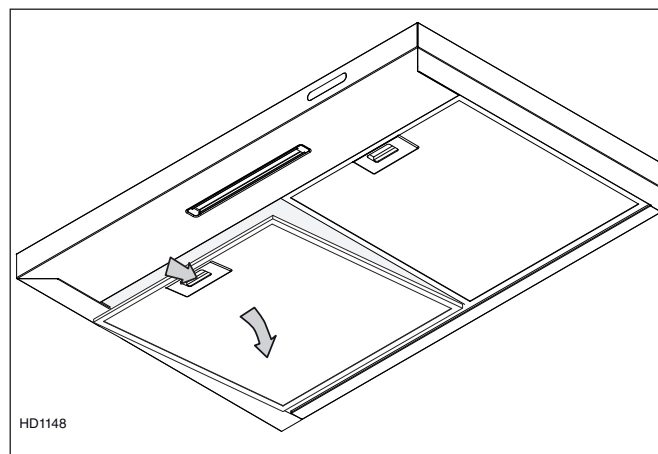
Centrer le plenum selon la ligne précédemment tracée à l'étape 3 et le positionner au ras du plafond. Utiliser les fentes du plenum comme gabarit pour marquer la position des vis.

Fixer au mur le plenum à l'aide de 2 vis de montage M4 x 38 Phillips à tête ronde 9 mm. S'assurer que le plenum soit bien appuyé contre le mur.



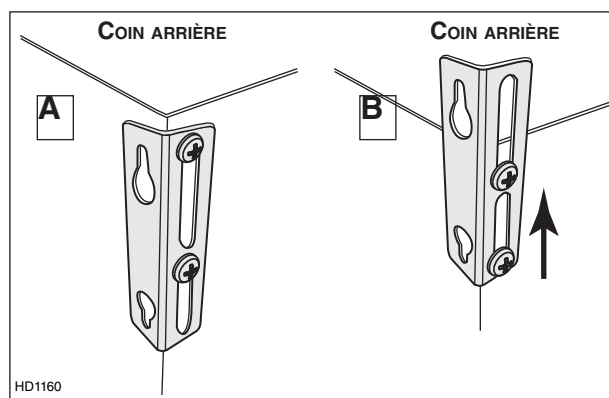
6. RETIRER LES FILTRES À GRAISSES

Poser le dos de la hotte à plat sur une table. Placer au préalable un morceau de carton pour éviter d'endommager la table et la hotte. Retirer les filtres à graisses en tirant le loquet de métal vers le bas et en faisant basculer chaque filtre vers le bas. Mettre les filtres de côté.



7. AJUSTER LES SUPPORTS DE MONTAGE DE LA HOTTE

Les deux supports de montage, situés sur les coins supérieurs arrière de l'appareil, sont expédiés de l'usine en position basse (A). Pour chaque support, desserrer les deux vis de retenue et lever le support tel qu'illustré en B, puis serrer les vis.

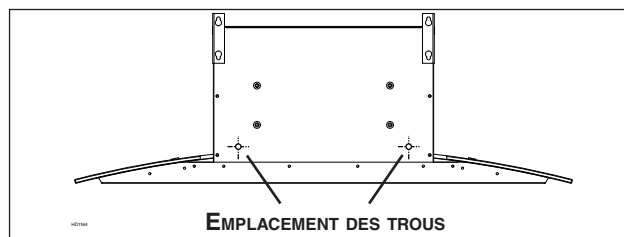


8. INSTALLER LA HOTTE

⚠ AVERTISSEMENT

SOYEZ PRUDENT lors de l'installation du conduit décoratif et de la hotte, il pourrait y avoir des arêtes vives.

1. Aligner la hotte avec la ligne précédemment tracée marquant le centre de l'installation. Abaisser doucement la hotte jusqu'à ce qu'elle s'accroche aux vis dans le mur.
2. Mettre la hotte de niveau et serrer complètement les vis dans le mur.
3. Fixer au mur la hotte en insérant les 2 vis de montage M4 x 38 Phillips à tête ronde 9 mm dans les 2 rondelles dans la partie inférieure à l'arrière de la hotte (voir la vue arrière ci-contre). Serrer complètement toutes les vis.

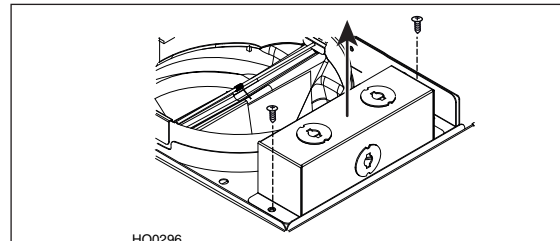


9. INSTALLATION ÉLECTRIQUE

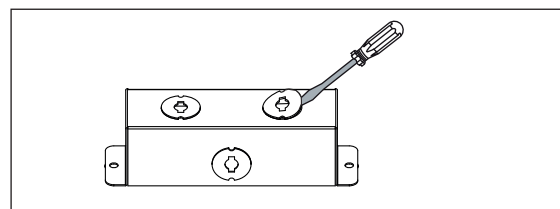
⚠ AVERTISSEMENT

Risque de choc électrique. Le raccordement électrique doit être effectué par du personnel qualifié en respectant les normes et règlements en vigueur. Avant d'effectuer le branchement, coupez l'alimentation électrique depuis le tableau de distribution principal.

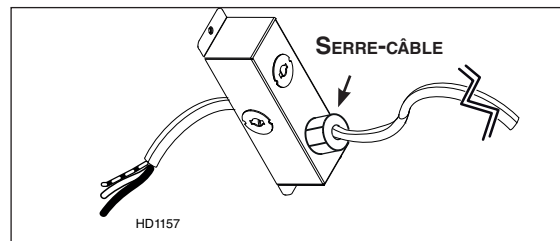
Détacher le couvercle de la boîte de jonction du dessus de la hotte en enlevant les deux vis de retenue. Mettre le couvercle et les vis de côté.



Enlever une alvéole défonçable du dessus du couvercle de la boîte de jonction.

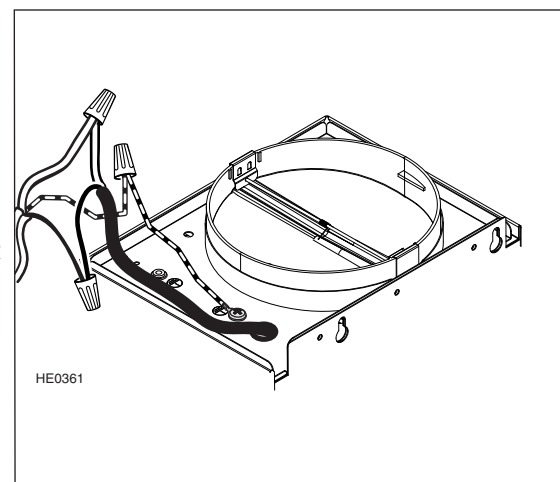


Installer un serre-câble homologué UL (non fourni) sur le câble d'alimentation résidentiel à 4 po du bout du câble. Passer le câble d'alimentation dans l'ouverture du couvercle de la boîte de jonction et utiliser le serre-câble pour fixer le câble d'alimentation résidentiel au couvercle de la boîte de jonction.



Connecter le fil d'alimentation de la hotte au câblage résidentiel à l'aide des capuchons de connexion fournis : Connecter le fil NOIR au NOIR, le fil BLANC au BLANC et le fil VERT ou DÉNUDÉ au VERT. **NE PAS OUBLIER DE CONNECTER LA MISE À LA TERRE.**

Réinstaller le couvercle de la boîte de jonction. S'assurer que tous les fils sont à l'intérieur du couvercle de la boîte de jonction.



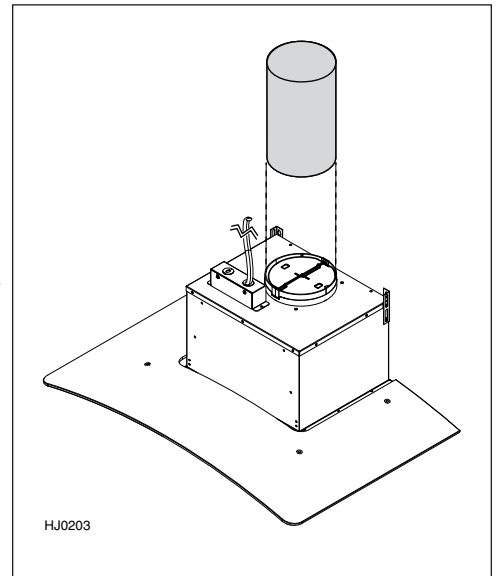
ATTENTION

S'assurer de ne coincer aucun fil lors de la réinstallation du couvercle de la boîte de jonction.

10. RACCORDER LE CONDUIT

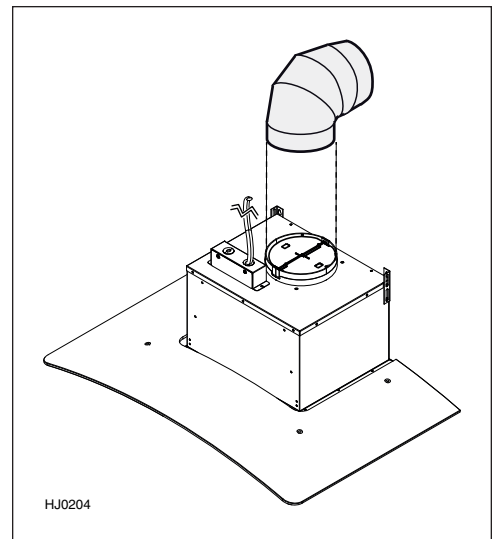
INSTALLATION EN ÉVACUATION VERTICALE :

Glisser une section de conduit rond en métal de 6 po par-dessus l'adaptateur/volet. Sceller hermétiquement le joint à l'aide de ruban adhésif de métal.



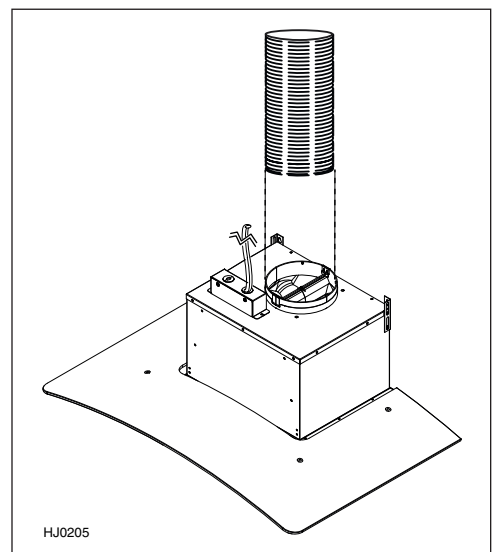
INSTALLATION EN ÉVACUATION HORIZONTALE :

Mesurer et installer un conduit rond en métal de 6 po jusqu'au capuchon mural et un coude de 90° sur l'adaptateur/volet de la hotte. Sceller hermétiquement les joints à l'aide de ruban adhésif de métal.



INSTALLATION EN RECIRCULATION :

Enlever les volets de l'adaptateur. Mesurer la longueur requise de conduit flexible rond de 6 po en métal (inclus dans le kit de recirculation) pour couvrir la distance entre le dessus de la hotte et le plenum. Glisser le conduit flexible rond de 6 po en métal par-dessus l'adaptateur de la hotte. Sceller le joint avec du ruban adhésif de métal.



11. PRÉPARER LE CONDUIT DÉCORATIF

ATTENTION

NE PAS RETIRER pour l'instant le film protecteur de plastique recouvrant le conduit décoratif supérieur.

NOTE : Les conduits décoratifs inférieur et supérieur sont inclus avec la hotte. Toutefois, pour les plafonds de 9 pieds ou plus, se défaire des conduits décoratifs inférieur et supérieur et utiliser le conduit décoratif optionnel, pièce n° AEEW46SS (acier inoxydable) (vendu séparément).

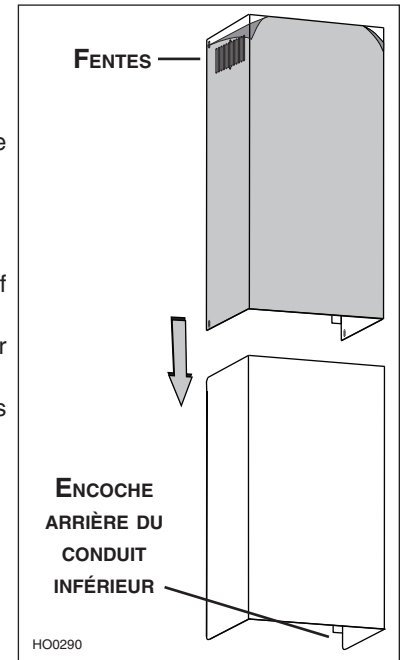
Retirer le conduit décoratif supérieur de l'intérieur du conduit décoratif inférieur. Retirer la pellicule de plastique protectrice recouvrant le conduit décoratif inférieur seulement.

Enlever juste assez de plastique protecteur pour dégager les coins supérieurs du conduit décoratif supérieur.

NOTE : Uniquement pour une installation sans conduit, enlever assez de plastique pour dégager les fentes.

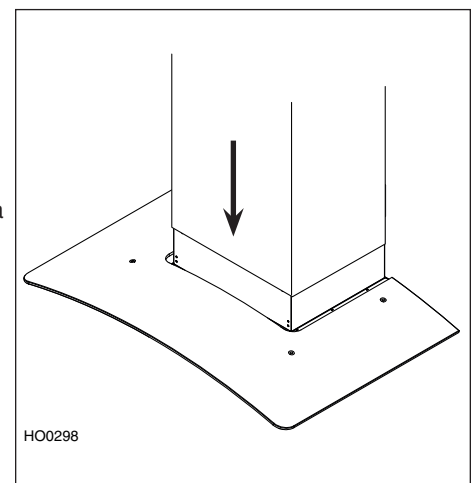
Glisser délicatement le conduit décoratif supérieur dans le conduit décoratif inférieur, le côté des fentes vers le haut.

NOTE : Le conduit décoratif supérieur peut être inversé pour cacher les fentes dans certaines applications selon les hauteurs d'installation.



12. INSTALLER LE CONDUIT DÉCORATIF

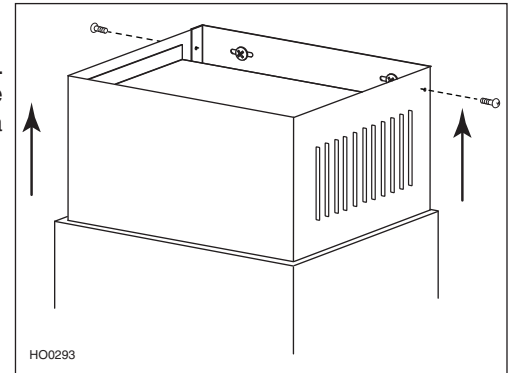
Glisser délicatement en place le conduit décoratif (le côté des encoches en premier) dans la rainure sur le dessus de la hotte.



12. INSTALLER LE CONDUIT DÉCORATIF (SUITE)

INSTALLATION EN RECIRCULATION :

Tirer vers le haut le conduit décoratif supérieur jusqu'à ce qu'il soit aligné avec le plenum. Fixer le conduit décoratif supérieur au plenum à l'aide de 2 vis M4 x 12 Phillips à tête ronde 9 mm. Enlever le plastique protecteur couvrant le conduit décoratif supérieur et la hotte.

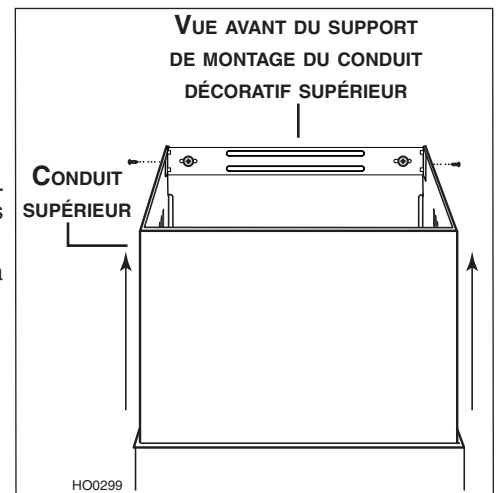


INSTALLATION AVEC CONDUITS :

Tirer vers le haut le conduit décoratif supérieur jusqu'au niveau de son support de montage. Ce dernier doit être à l'intérieur du conduit. Fixer le conduit supérieur au support à l'aide des 2 vis M4 x 12 Phillips à tête ronde 9 mm.

NOTE: Conduit de ventilation non montré dans l'illustration afin de faciliter la compréhension.

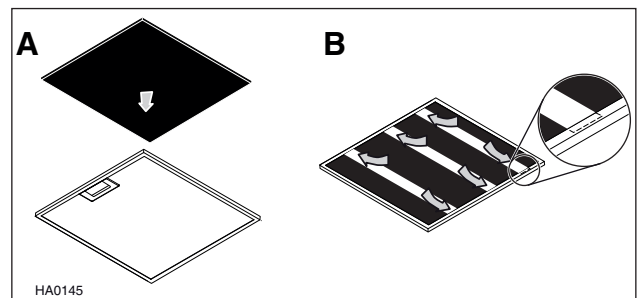
Enlever le plastique protecteur couvrant le conduit décoratif supérieur et la hotte.



13. REMETTRE EN PLACE LES FILTRES À GRAISSES

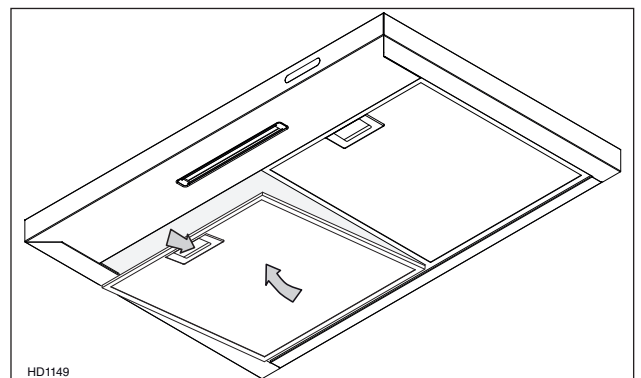
INSTALLATION EN RECIRCULATION :

Installer un filtre au charbon à l'endos de chaque filtre à graisses en aluminium (A). Tenir le filtre au charbon en place en insérant les 2 bouts des 3 bandes métalliques dans le cadre de chaque filtre à graisses en aluminium (B).



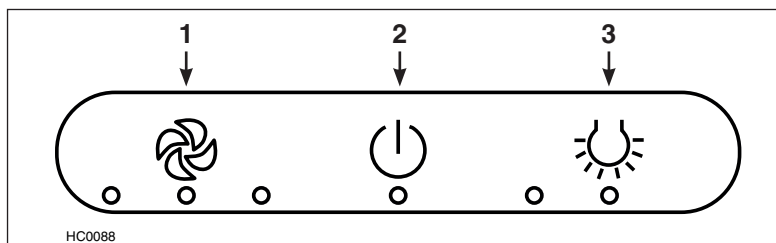
TOUTES LES INSTALLATIONS :

Pour installer les filtres à graisses, aligner les languettes arrière de chaque filtre avec les fentes dans la hotte. Tirer le loquet vers le bas, pousser un filtre à la fois pour le remettre en place, puis relâcher. Vérifier que les filtres sont bien en place.



14. FONCTIONNEMENT

Toujours mettre en marche la hotte avant de commencer la cuisson afin d'établir une circulation d'air dans la cuisine. Laisser fonctionner la hotte quelques minutes après la fin de la cuisson afin de nettoyer l'air. Cela aidera à garder la cuisine plus propre et plus fraîche.



- 1) Bouton-poussoir Activation du ventilateur/Arrêt
2) Bouton-poussoir principal Marche/Arrêt
3) Bouton-poussoir intensité de l'éclairage/Arrêt

1. BOUTON-POUSSOIR ACTIVATION DU VENTILATEUR/ARRÊT (BOUTON-POUSSOIR DOUBLE FONCTION):

Appuyer sur le bouton-poussoir Activation du ventilateur/Arrêt afin d'activer le ventilateur en basse vitesse. Appuyer deux fois pour la vitesse moyenne et une fois de plus pour la haute vitesse. L'indicateur DEL sous le bouton-poussoir s'allumera selon la vitesse choisie (une DEL = basse vitesse, 2 DELs = vitesse moyenne, 3 DELs = haute vitesse). Appuyer une fois de plus pour arrêter le ventilateur; les indicateurs DEL s'éteindront.

2. BOUTON-POUSSOIR PRINCIPAL MARCHE/ARRÊT:

Lorsque le ventilateur et l'éclairage sont en fonction, appuyer sur le bouton-poussoir principal Marche/Arrêt pour mettre le ventilateur et l'éclairage hors tension. Lorsque le ventilateur et l'éclairage sont hors tension, appuyer sur ce bouton-poussoir pour mettre le ventilateur en marche au réglage de vitesse précédent et pour activer l'éclairage à l'intensité précédente.

3. BOUTON-POUSSOIR INTENSITÉ DE L'ÉCLAIRAGE/ARRÊT :

Appuyer sur ce bouton-poussoir une fois pour allumer les lumières à faible intensité, un indicateur DEL s'allumera. Appuyer une fois de plus pour allumer les lumières à intensité élevée (les deux indicateurs DEL s'allumeront). Appuyer une autre fois pour éteindre les lumières (les deux indicateurs DEL s'éteindront).

15. ENTRETIEN

Filtres à graisses

Les filtres à graisses doivent être nettoyés fréquemment. Utiliser une solution d'eau chaude et de détergent. Les filtres sont lavables au lave-vaisselle.

Nettoyer les filtres fabriqués entièrement de métal au lave-vaisselle à l'aide d'un détergent sans phosphate. L'utilisation d'un détergent avec phosphates ainsi que les conditions locales de l'eau peuvent entraîner une décoloration des filtres, sans toutefois affecter leur performance. Cette décoloration n'est pas couverte par la garantie. Afin de prévenir ou de limiter la décoloration, laver les filtres à la main avec un détergent doux.

Filtres de recirculation

Remplacer les filtres de recirculation tous les 6 mois. Acheter les filtres numéro S99010475 pour les hottes de la série EW46.

Nettoyage de la hotte

Nettoyage de l'acier inoxydable :

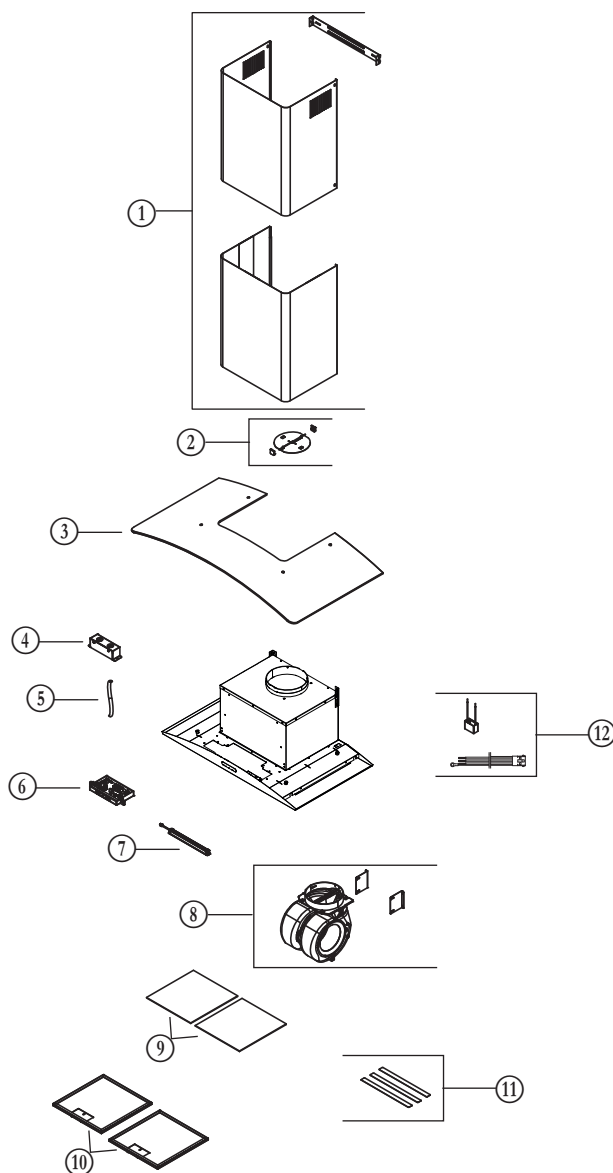
À éviter lors du choix d'un détergent :

- Tous produits nettoyants contenant des **agents de blanchiment**; ils attaqueront l'acier inoxydable.

À faire :	À ne pas faire :
<ul style="list-style-type: none">• Laver régulièrement les surfaces à l'aide d'un chiffon ou linge propre imbibé d'eau tiède et de savon doux ou de détergent liquide à vaisselle.• Toujours nettoyer dans le sens du polissage.• Toujours bien rincer avec de l'eau claire (2 à 3 fois) et essuyer complètement.• Un nettoyant domestique conçu spécialement pour l'acier inoxydable peut aussi être utilisé.	<ul style="list-style-type: none">• Ne pas utiliser de laine d'acier ou d'acier inoxydable ou tout autre grattoir pour enlever la saleté tenace.• Ne pas utiliser une poudre nettoyante abrasive ou rugueuse.• Ne pas laisser la saleté s'accumuler.• Ne pas laisser la poussière de plâtre ou tout autre résidu de construction atteindre la hotte. Couvrir la hotte pour la durée des travaux afin de s'assurer qu'aucune poussière n'atteigne la hotte.

- Tous produits contenant du **chlorure**, du **fluorure**, de l'**iode** ou du **bromure**; ils détérioreront rapidement les surfaces.
- Tous produits combustibles utilisés pour le nettoyage : **acétone**, **alcool**, **éther**, **benzène**, etc.; ils sont grandement explosifs et ne devraient jamais être utilisés près d'une cuisinière.

16. PIÈCES DE REMPLACEMENT



PIÈCES DE REMPLACEMENT ET SERVICE

Pour assurer le bon fonctionnement de votre appareil, vous devez toujours utiliser des pièces d'origine provenant de Broan-NuTone LLC ou de Venmar Ventilation ULC. Les pièces d'origine de Broan-NuTone LLC et de Venmar Ventilation ULC sont spécialement conçues pour satisfaire toutes les normes de certification de sécurité applicables. Leur remplacement par des pièces ne provenant pas de Broan-NuTone LLC ou de Venmar Ventilation ULC pourrait ne pas assurer la sécurité de l'appareil, entraîner une réduction sévère des performances ainsi qu'un risque de défaillance prématurée. Broan-NuTone LLC et Venmar Ventilation ULC recommandent également de toujours vous référer à une entreprise de services compétente et reconnue par Broan-NuTone LLC ou Venmar Ventilation ULC pour vos pièces de remplacement et appels de service.

HL0457

N°	N° DE PIÈCE	DESCRIPTION	30 PO	36 PO
1	S97021447	CONDUIT DÉCORATIF (SUPÉRIEUR ET INFÉRIEUR) (ACIER INOXYDABLE) AVEC SUPPORT	1	1
2	S99527461	ENSEMBLE VOLET	1	1
3	S97021445	VITRE AVEC QUINCAILLERIE	1	
	S97021446	VITRE AVEC QUINCAILLERIE		1
4	S99840026	BOÎTE DE JONCTION	1	1
5	S97021448	CÂBLE D'ALIMENTATION	1	1
6	S97021443	CARTE ÉLECTRONIQUE	1	1
7	S99010479	MODULE DEL	1	1
8	S97021444	ENSEMBLE MOTEUR ET VENTILATEUR	1	1
9	S99010475	FILTRES DE RECIRCULATION (ENS. DE 2) (BANDES MÉTALLIQUES NON INCLUSES)	1	1
10	S99010478	FILTRES À GRAISSES EN ALUMINIUM (ENS. DE 2)	1	1
11	S99010482	BANDES MÉTALLIQUES POUR FILTRES DE RECIRCULATION (ENS. DE 3)	2	2
12	S99271685	ENS. CONDENSATEUR ET FAISCEAU DE FILS PRINCIPAL	1	1
*	S97021435	SAC DE PIÈCES INCLUANT: 6 VIS M4 x 38 PHILLIPS À TÊTE RONDE 9 MM, 2 VIS M4 x 12 PHILLIPS À TÊTE RONDE 9 MM, 2 RONDELLES, 3 CAPUCHONS DE CONNEXION, 1 SUPPORT DE MONTAGE DU CONDUIT DÉCORATIF SUPÉRIEUR, 2 SUPPORTS DE MONTAGE ET 4 VIS 3/16-24 x 1/2 PO	1	1

* NON ILLUSTRÉ.

17. GARANTIE

Garantie limitée

Période de garantie et exclusions: Broan NuTone LLC (la « Société ») ou Venmar Ventilation ULC et/ou son subsidiaire garantit au consommateur acheteur initial (« vous ») de son produit (le « Produit ») que celui-ci est exempt de tout vice de matériau ou de fabrication pour une période de un (1) an à compter de la date d'achat originale (ou toute période plus longue que pourrait exiger une loi applicable). La période de la garantie limitée sur toute pièce de remplacement fournie par la Société et sur tout produit réparé ou remplacé en vertu de la présente garantie limitée correspond au reste de la période de garantie originale (ou toute période plus longue que pourrait exiger une loi applicable).

La présente garantie ne s'applique pas aux tubes fluorescents et aux démarreurs, ni aux ampoules halogènes ou incandescentes, fusibles, filtres, conduits, capuchons de toit, capuchons muraux et autres accessoires pour conduits pouvant avoir été achetés séparément et installés avec le produit. La présente garantie ne couvre pas (a) les travaux d'entretien et de service normaux, (b) l'usure normale, (c) tout produit ou toute pièce ayant fait l'objet d'une mauvaise utilisation, d'un abus, d'un usage anormal, d'une négligence, d'un accident, d'un entretien, rangement ou réparation inadéquats ou insuffisants (autre que par la Société), (d) les dommages dus à une mauvaise installation, ou à une installation ou utilisation contraires aux recommandations ou instructions, (e) tout produit déplacé de son lieu d'installation original, (f) les dommages dus à des éléments environnementaux ou naturels, (g) les dommages dus au transport, (h) l'usure naturelle du fini, (i) les produits utilisés à des fins commerciales ou non-résidentielles ou (j) les dommages dus à un incendie, à une inondation ou à un événement fortuit, (k) les produits dont les numéros de série ont été altérés, rendus illisibles ou enlevés. La présente garantie ne couvre que les produits vendus au consommateur initial aux États-Unis et au Canada par la Société ou par les distributeurs américains et canadiens autorisés par la Société.

La présente garantie remplace toute garantie précédente et le consommateur et acheteur initial ne peut la céder à quiconque.

Aucune autre garantie: La présente garantie limitée stipule les seules obligations de la Société et votre seul recours en cas de produits défectueux. La garantie ci-dessus est exclusive et remplace toute autre garantie, expresse ou tacite. **LA SOCIÉTÉ EXCLUT TOUTE AUTRE GARANTIE OU CONDITION EXPRESSE ET TOUTE GARANTIE OU CONDITION DÉCOULANT IMPLICITEMENT DE LA LOI, Y COMPRIS, SANS S'Y LIMITER, LES GARANTIES DE VALEUR MARCHANDE ET D'ADÉQUATION À UN USAGE PARTICULIER.** Dans la mesure où la loi en vigueur interdit l'exclusion des garanties tacites ou conditions, la durée de toute garantie tacite est limitée à la période stipulée ci-dessus pour la garantie expresse. Certains territoires ou provinces interdisant de limiter la durée d'une garantie tacite, la limitation ci-dessus peut ne pas s'appliquer à votre situation. Toute description verbale ou écrite du produit a pour seule fin de l'identifier et ne doit pas être interprétée comme une garantie expresse. Si possible, chaque disposition de cette garantie limitée doit être interprétée de sorte à être en vigueur et valide en vertu des lois applicables, mais si une disposition s'avère interdite ou invalide, elle le sera seulement dans la mesure de cette interdiction ou invalidité, sans invalider le reste de cette disposition ni les autres dispositions de la présente garantie limitée.

Recours: Pendant la période de garantie limitée applicable, la Société pourra, à son choix, fournir des pièces de rechange ou réparer ou remplacer, sans frais, tout produit ou toute pièce, dans la mesure où la Société constate qu'il est couvert et contrevient à la présente garantie limitée dans des conditions normales d'utilisation et de service. La Société vous enverra gratuitement le produit réparé ou remplacé ou les pièces de rechange. Vous êtes responsable des frais de démontage, de remontage, d'expédition, d'assurance ou de tous autres frais de transport pour l'envoi du produit ou de la pièce à la Société. Si vous devez envoyer le produit ou la pièce à la Société, tel que la Société vous l'indiquera, vous devrez l'emballer correctement. La Société n'est pas responsable des dommages subis lors du transport. La Société se réserve le droit d'utiliser des produits ou des pièces remis en état, remis à neuf, réparés ou réusinés dans le processus de réparation ou de remplacement sous garantie. Lesdits produits ou pièces seront comparables en fonction et en performance aux produits et pièces d'origine et seront garantis pendant le reste de la période de garantie originale (ou toute période plus longue que pourrait exiger une loi applicable).

La Société se réserve le droit, à son entière discrétion, de vous rembourser le prix que vous avez payé pour votre produit en lieu et place d'une réparation ou d'un remplacement. Si le produit ou le composant n'est plus offert, il sera remplacé par un produit de valeur égale ou supérieure, à l'entière discrétion de la Société. Cette mesure constitue votre recours exclusif en cas de violation de cette garantie limitée.

Exclusion de dommages: **L'OBLIGATION DE LA SOCIÉTÉ DE FOURNIR DES PIÈCES DE RECHANGE, OU DE RÉPARER OU REMPLACER LE PRODUIT, À SON CHOIX, CONSTITUE VOTRE SEUL ET UNIQUE RECOURS EN VERTU DE LA PRÉSENTE GARANTIE LIMITÉE ET LA SEULE ET UNIQUE OBLIGATION DE LA SOCIÉTÉ. LA SOCIÉTÉ NE PEUT ÊTRE TENUE RESPONSABLE DE TOUT DOMMAGE INDIRECT, CONSÉCUTIF, ACCESSOIRE OU SPÉCIAL DÉCOULANT DE L'UTILISATION OU DU RENDEMENT DU PRODUIT.** Les dommages accessoires comprennent, sans pour autant y être limités, la perte de temps et la privation de jouissance. Les dommages indirects comprennent, sans pour autant y être limités, le coût de réparation ou de remplacement des autres biens endommagés par le mauvais fonctionnement du produit.

LA SOCIÉTÉ NE POURRA ÊTRE TENUE RESPONSABLE EN RIEN, NI À TOUTES PERSONNES, DE TOUTE OBLIGATION OU RESPONSABILITÉ INCLUANT SANS S'Y LIMITER, LES OBLIGATIONS OU RESPONSABILITÉS ÉMANANT D'UN BRIS DE CONTRAT OU D'UNE VIOLATION DE GARANTIE, LA NÉGLIGENCE OU AUTRE FORME DE PRÉJUDICE, OU TOUT AUTRE THÉORIE DE STRICTE RESPONSABILITÉ CONCERNANT LE PRODUIT, LES ACTIONS, OMISSIONS OU AUTRE DE LA SOCIÉTÉ.

Certains territoires ou provinces ne permettant pas la limitation ou l'exclusion des dommages indirects ou consécutifs, la limitation ci-dessus peut ne pas s'appliquer à votre situation. La présente garantie vous confère des droits spécifiques reconnus par la loi. D'autres droits pourraient également vous être accordés selon la législation locale en vigueur.

La présente garantie ne couvre que le remplacement ou la réparation des produits ou pièces défectueux à l'usine principale de la Société et ne comprend pas les frais de voyage et ni les dépenses quotidiennes pour une réparation à domicile.

Toute aide que la Société vous fournit en dehors des dispositions, limitations ou exclusions de cette garantie limitée ne constituera en rien une renonciation aux dites dispositions, limitations ou exclusions, et ne prolongera aucunement cette garantie pas plus qu'elle ne la remettra en vigueur. Les conditions, exclusions et les limitations de responsabilités au titre de la présente garantie ne s'appliqueront pas dans la mesure où toute loi applicable l'interdit. La Société ne vous remboursera aucune dépense encourue par vous pour la réparation ou le remplacement de tout produit défectueux, sauf celles que vous avez encourues avec la permission écrite préalable de la Société.

Comment bénéficiaire du service de garantie: Pour vous prévaloir de cette garantie, vous devez (a) aviser la Société à l'adresse ou au numéro de téléphone indiqués ci-dessous dans les sept (7) jours du constat de la défectuosité couverte, (b) donner le numéro de modèle du produit et le numéro d'identification de la pièce et (c) décrire la nature de la défectuosité du produit ou de la pièce. Lors de votre demande de garantie, vous devez présenter une preuve de la date d'achat originale. Si vous ne pouvez pas fournir une copie écrite de la garantie limitée originale, les dispositions de la garantie limitée écrite la plus récente de la Société concernant ce produit particulier s'appliqueront. Vous trouverez les garanties limitées écrites les plus récentes des produits de la Société sur les sites www.broan.com et www.broan.ca.

Broan-NuTone LLC 926 West State Street, Hartford, WI 53027 www.broan.com 800-637-1453

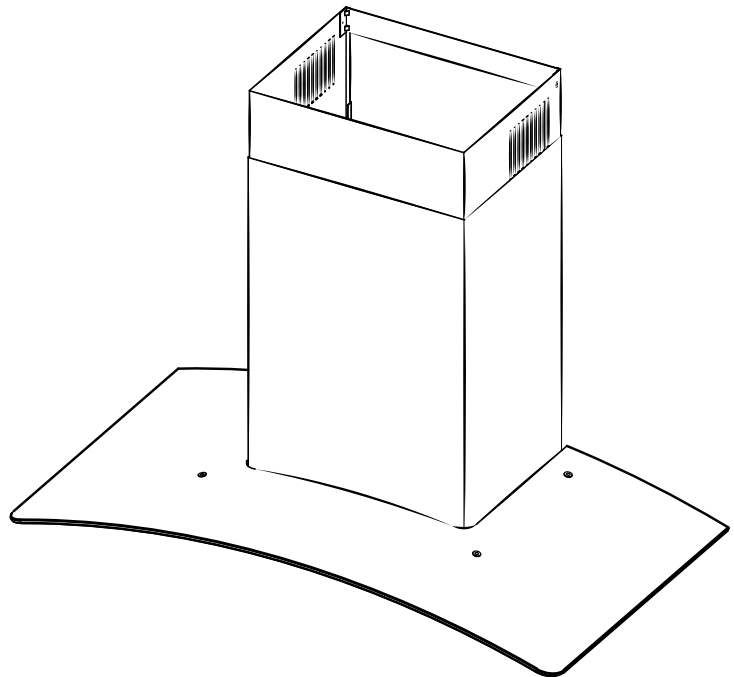
Venmar Ventilation ULC, 550 boul. Lemire, Drummondville, Québec, Canada J2C 7W9 www.broan.ca 1 877 896-1119

Elite
®
BROAN

CAMPANA DE ESTUFA DE CHIMENEA

Serie: EW46

MANUAL DE INSTALACIÓN,
UTILIZACIÓN Y CUIDADO



Número de serie:

⚠ **Exclusivamente para cocinas domésticas** ⚠

LEA ESTAS INSTRUCCIONES Y GUÁRDELAS

INSTALADOR: ENTREGUE ESTE MANUAL AL PROPIETARIO.

PROPIETARIO : INFORMACIÓN SOBRE USO Y CUIDADO EN LA PÁGINA 10.

En EE.UU., registre su campana de cocina en línea en www.broan.com

En Canadá, registre su campana de cocina en línea en www.broan.ca

⚠ **ADVERTENCIA**

PARA REDUCIR EL RIESGO DE INCENDIO, CHOQUE ELÉCTRICO O HERIDAS CORPORALES, SIGA LAS INDICACIONES SIGUIENTES:

1. Utilice este aparato sólo en la forma prevista por el fabricante. Si tiene preguntas, póngase en contacto con el fabricante en la dirección o número de teléfono indicados en la garantía.
2. Antes del mantenimiento o de la limpieza del aparato, apague la alimentación en el tablero de servicio y bloquee los medios de desconexión para evitar que se conecte la corriente accidentalmente. Cuando no se puedan bloquear los medios de desconexión de servicio, coloque firmemente un dispositivo de aviso visible, como una etiqueta, en el tablero de servicio.
3. Los trabajos de instalación y el cableado eléctrico han de ser realizados por personal cualificado, de conformidad con todos los códigos y normas aplicables, incluyendo los códigos y normas de construcción contra incendios.
4. Se necesita aire suficiente para una combustión adecuada y para sacar los gases por la chimenea del equipo que quema el combustible para evitar la contracorriente. Siga las directrices del fabricante del equipo de calefacción y las normas de seguridad, tales como las que publica la Asociación Nacional de Protección Contra Incendios (NFPA) y la Sociedad Americana de Ingenieros de Calefacción, Refrigeración y Aire Acondicionado (ASHRAE) y las de las autoridades responsables del código local.
5. Al cortar o taladrar en la pared o en el techo, procure no dañar el cableado eléctrico ni otras instalaciones ocultas.
6. Los ventiladores con conductos deben tener siempre salida al exterior.
7. No use el aparato con cualquier dispositivo de control de velocidad de semiconductores.
8. Para reducir el riesgo de incendio, utilice sólo conductos metálicos.
9. Este aparato debe conectarse a tierra.
10. Cuando la reglamentación local aplicable sea más restrictiva en materia de instalación o certificación, dicha reglamentación prevalecerá sobre las exigencias de este manual y el instalador acepta atenerse a dicha reglamentación y asumir los gastos correspondientes.

PARA REDUCIR EL RIESGO DE INCENDIO DE LA GRASA ACUMULADA EN LA PARTE SUPERIOR DE LA COCINA:

- a) No deje nunca recipientes de cocina a fuego vivo sin vigilancia. Los desbordamientos producen humo y derrames grasientos que pueden inflamarse. Caliente el aceite despacio, a fuego lento o mediano.
- b) Ponga en marcha siempre la campana extractora al cocinar a temperaturas elevadas o al cocinar alimentos flameados (crepas Suzette, cerezas jubilee, res con pimienta flambeada).
- c) Limpie el ventilador con frecuencia. No deje que la grasa se acumule en el ventilador, ni en los filtros o en los conductos de evacuación.
- d) Utilice cacerolas de tamaño apropiado. Emplee siempre un recipiente adecuado para el tamaño de la placa.

⚠ **ADVERTENCIA**

PARA REDUCIR EL RIESGO DE LESIONES PERSONALES EN CASO DE INCENDIO DE LA GRASA ACUMULADA EN LA PARTE SUPERIOR DE LA COCINA, SIGA ESTAS INDICACIONES*:

1. SOFOQUE LAS LLAMAS con una tapa bien ajustada, una bandeja metálica u hoja para hacer galletas y, a continuación, apague el quemador. **TENGA CUIDADO DE NO QUEMARSE.** Si las llamas **NO SE APAGAN INMEDIATAMENTE, EVACÚE EL LUGAR INMEDIATAMENTE Y LLAME A LOS BOMBEROS.**
2. **NO SUJETE NUNCA UNA SARTÉN EN LLAMAS** ya que podría quemarse.
3. **NO USE AGUA**, ni trapos de cocina o toallas húmedos: esto podría causar una violenta explosión de vapor.
4. Use un extintor **SÓLO** si:
 - A. Tiene un extintor de tipo ABC y sabe cómo funciona.
 - B. El fuego es pequeño y se limita a la zona donde comenzó.
 - C. Ya llamó a los bomberos.
 - D. Puede tratar de apagar el fuego si dispone siempre de una salida detrás de usted.

* Fuente: "Kitchen Fire Safety Tips" publicado por la NFPA.

PRECAUCIÓN

1. Sólo para una utilización en el interior.
2. Sólo para ventilación general. No debe utilizarse para extraer materiales o vapores peligrosos o explosivos.
3. Para evitar daños en el cojinete del motor y que la hélice haga ruido o se desequilibre, mantenga la unidad de alimentación lejos de los vaporizadores de pirca, del polvo de la construcción, etc.
4. El motor de la campana tiene un dispositivo contra sobrecargas térmicas que apaga el motor automáticamente si éste se sobrecalienta. El motor volverá a ponerse en marcha cuando se enfríe. Si el motor sigue apagándose, haga examinar el motor.
5. La distancia mínima entre la campana y la superficie sobre la que se cocina **NO DEBE SER** inferior a 24". Se aconseja una distancia máxima de 30" por encima de la superficie sobre la que se cocina para capturar mejor las impurezas que se producen al cocinar.
6. Se recomienda que haya dos personas para instalar la campana dadas sus grandes dimensiones y su peso.
7. Para reducir el riesgo de incendio y expulsar el aire debidamente, compruebe que el aire vaya al exterior. No lleve el aire a espacios situados entre paredes, en el techo o en un desván, en sótanos pequeños ni en cocheras.
8. Dada la alta capacidad de expulsión de aire de esta campana, debe asegurarse de que en la casa entra aire suficiente. Abra una ventana en o cerca de la cocina.
9. Para reducir el riesgo de incendio o de descarga eléctrica, los modelos de la serie Broan Elite EW46 sólo deben instalarse con sus propios ventilador impelente incorporado.
10. Usando en el modo sin conducto, para reducir el riesgo de incendio o de descarga eléctrica, los modelos de la serie Broan Elite EW46 sólo deben instalarse con el conjunto de recirculación sin conducto modelo ARKEW46.
11. Para mayor información sobre otras exigencias, lea la etiqueta de especificaciones que viene en el aparato.

ÍNDICE

1. PREPARE LA INSTALACIÓN	3	9. CONEXIÓN ELÉCTRICA	6
2. SELECCIONE EL TIPO DE INSTALACIÓN	3	10. CONEXIÓN DEL CONDUCTO	7
3. CONSTRUIR LA ESTRUCTURA	4	11. PREPARE LA CHIMENEA DECORATIVA	8
4. INSTALE EL SOPORTE DE MONTAJE DE LA PARTE SUPERIOR DE LA CHIMENEA (INSTALACIÓN CON CONDUCTOS ÚNICAMENTE)	4	12. INSTALE LA CHIMENEA DECORATIVA	8-9
5. INSTALE LA CÁMARA (INSTALACIÓN SIN CONDUCTOS ÚNICAMENTE)	4	13. VUELVA A INSTALAR LOS FILTROS DE GRASA	9
6. quite los filtros de grasa	5	14. FUNCIONAMIENTO	10
7. AJUSTE LOS SOPORTES DE MONTAJE DE LA CAMPANA	5	15. CUIDADO	10
8. INSTALE LA CAMPANA	5	16. PIEZAS DE RECAMBIO	11
		17. GARANTÍA	12

1. PREPARE LA INSTALACIÓN

NOTA : antes de empezar la instalación, compruebe el contenido de la caja. Si hay elementos que faltan o están dañados, póngase en contacto con el detallista.

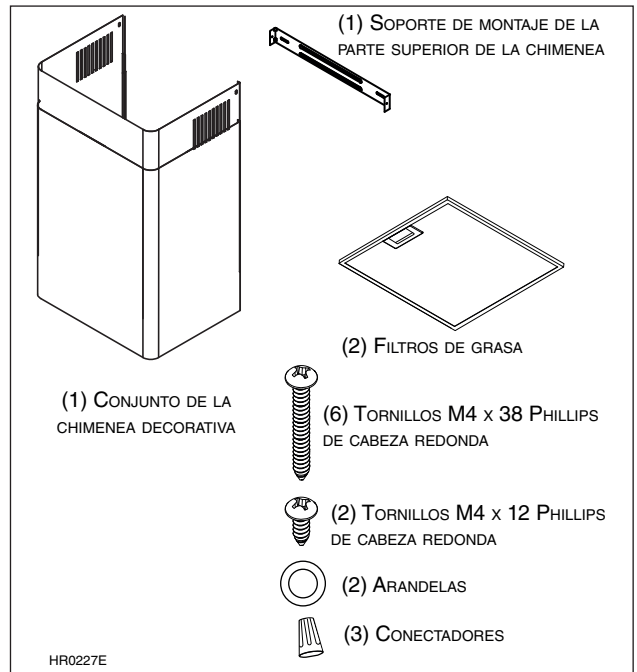
Compruebe que los siguientes elementos están incluidos:

- Campana
- Conjunto de la chimenea decorativa (parte inferior y superior)
- Soporte de montaje de la parte superior de la chimenea
- Filtros de aluminio de grasa
- Manual de instalación
- Bolsa de piezas: 8 tornillos de montaje M4 x 38 Phillips de cabeza redonda, 2 tornillos M4 x 12 Phillips de cabeza redonda, 2 arandelas y 3 conectadores de hilos.

Piezas vendidas por separado:

- Conductos, codos, tapa de techo o tapa de pared.
- Prolongacion opcional para la chimenea para techo de 9 pies o más, modelo n.º AEEW46SS (acero inoxidable).
- Conjunto para instalación sin conducto modelo ARKEW46, obligatorio para una instalación sin conducto.

NOTA: durante la instalación, proteja la encimera y la parte superior de la cocina.



2. SELECCIONE EL TIPO DE INSTALACIÓN

⚠ ADVERTENCIA

Para instalar, reparar o limpiar la campana, se aconseja llevar lentes y guantes de seguridad.

2.1 INSTALACIÓN SIN CONDUCTO

El conjunto para instalación sin conducto modelo ARKEW46 es necesario para este tipo de instalación.

2.2 INSTALACIÓN CON CONDUCTOS

Planifique dónde y cómo instalará los conductos.

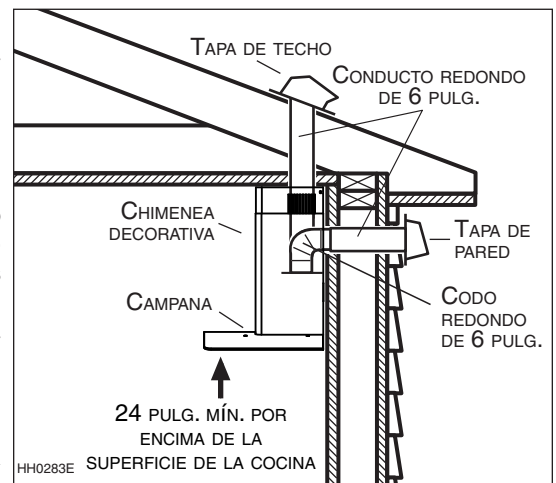
Un conducto recto y corto permitirá que la campana funcione más eficientemente. Los tramos largos de conductos, codos y transiciones reducirán el rendimiento de la campana. Use tan pocos de ellos como sea posible. Es posible que se requieran conductos más grandes para un mejor funcionamiento con tramos más largos de conductos. Instale la tapa para pared o techo. Conecte un conducto metálico redondo de 6" en la tapa y trabaje hacia atrás, hacia la ubicación de la campana. Use cinta adhesiva metálica de 2" para sellar las juntas entre los tramos de los conductos.

2.3 TODAS LAS INSTALACIONES

La distancia mínima entre la superficie sobre la que se cocina y la campana es de 24". Se aconseja una distancia máxima de 30" por encima de la superficie sobre la que se cocina para capturar mejor las impurezas que se producen al cocinar.

Las distancias superiores a 30" son a discreción del instalador y de los usuarios, siempre que la altura del techo y la longitud de la chimenea decorativa lo permiten.

NOTA: Techos de 9 pies o más necesitan una prolongacion opcional para la chimenea modelos n.º AEEW46SS (acero inoxidable).



3. CONSTRUIR LA ESTRUCTURA

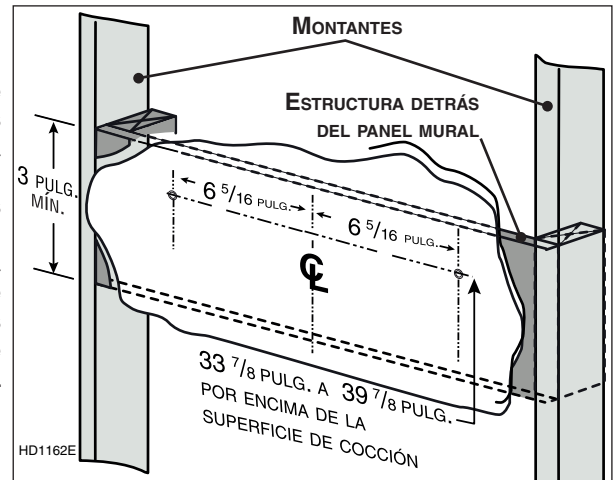
⚠ ADVERTENCIA

- Al cortar o taladrar en la pared o en el techo, procure no dañar el cableado eléctrico ni otras instalaciones ocultas.
- Siga siempre todos los códigos y normas de construcción aplicables al construir la estructura mural.

Construya una estructura mural de madera que sea pareja con la superficie de los montantes de la pared. La estructura mural de madera debe tener al menos 1/2 pulg. de grosor y 3 pulg. de altura. Sujete la estructura mural de madera a los montantes para lograr una instalación sólida.

Asegúrese de que la altura de la estructura permitirá sujetar los tornillos conforme a las dimensiones que se muestran.

Una vez terminada la superficie de la pared, utilice un nivel para trazar una línea vertical hasta el techo, empezando desde el centro de la ubicación de la campana. Medir y marcar la ubicación de los tornillos usando las medidas que aparecen a la derecha. Insertar 2 tornillos de montaje M4 x 38 Phillips de cabeza redonda en la estructura mural; no apriete completamente los tornillos.

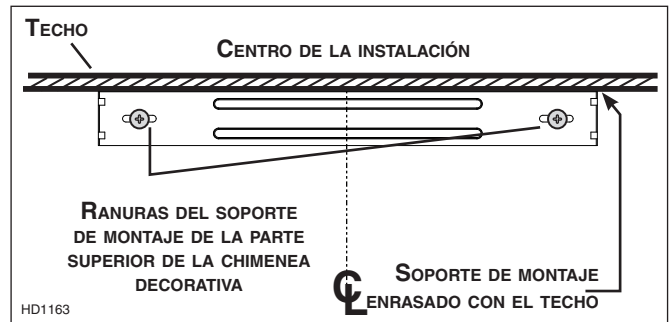


- 33 7/8 PULG. = PARTE INFERIOR DE LA CAMPANA 24 PULG. POR ENCIMA DE LA SUPERFICIE DE COCCIÓN
- 39 7/8 PULG. = PARTE INFERIOR DE LA CAMPANA 30 PULG. POR ENCIMA DE LA SUPERFICIE DE COCCIÓN

4. INSTALE EL SOPORTE DE MONTAJE DE LA PARTE SUPERIOR DE LA CHIMENEA (INSTALACIÓN CON CONDUCTOS ÚNICAMENTE)

Centre el soporte de montaje de la parte superior de la chimenea con la línea central trazada anteriormente en la etapa 3 y colóquelo a ras con el techo. Use el soporte de montaje de la parte superior de la chimenea como plantilla para marcar la posición de sus tornillos.

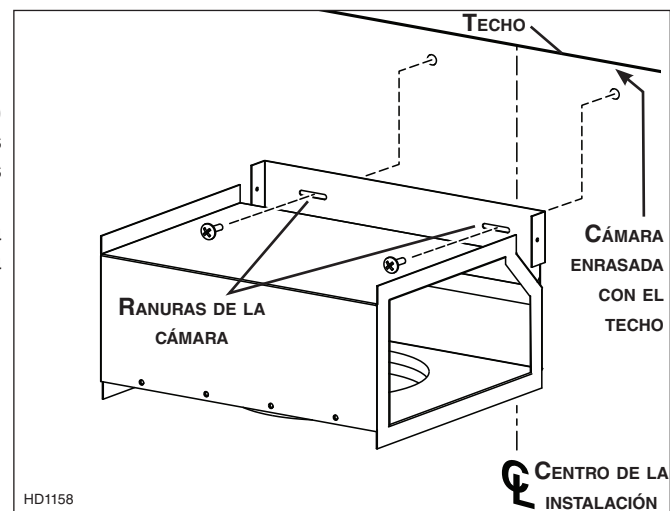
Sujete el soporte de montaje de la parte superior de la chimenea con 2 tornillos de montaje M4 x 38 Phillips de cabeza redonda. Asegúrese de que el soporte quede bien apretado contra la pared.



5. INSTALE LA CÁMARA (INSTALACIÓN SIN CONDUCTO ÚNICAMENTE)

Centre la cámara (incluida con el conjunto para la instalación sin conducto) con la línea central trazada anteriormente en la etapa 3 y colóquela a ras con el techo. Use la cámara como plantilla para marcar la posición de sus tornillos.

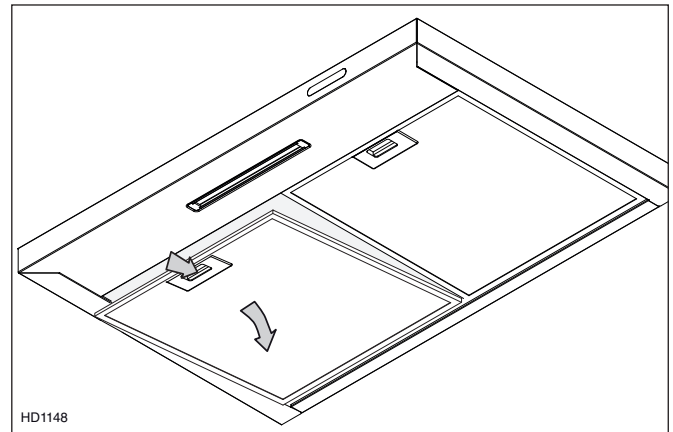
Sujete la cámara con 2 tornillos de montaje M4 x 38 Phillips de cabeza redonda. Asegúrese de que la cámara quede bien apretada contra la pared.



6. QUITE LOS FILTROS DE GRASA

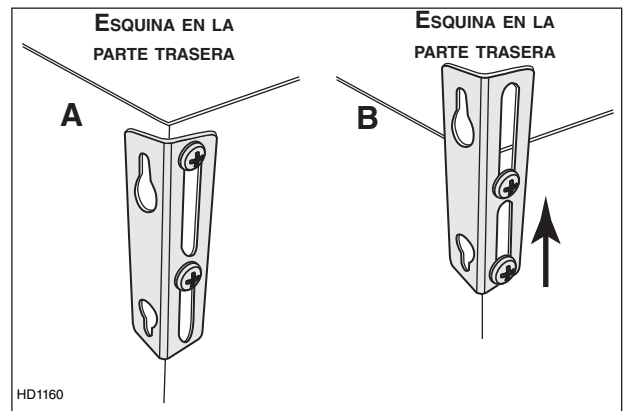
Deje la parte posterior de la campana plana sobre una mesa. Utilice un pedazo de cartón para evitar dañar la mesa o la campana.

Retire los filtros de grasa estirando hacia abajo la cejilla metálica e inclinando los filtros hacia abajo para quitarlos. Reserve los filtros.



7. AJUSTE LOS SOPORTES DE MONTAJE DE LA CAMPANA

Los dos soportes de montaje, situados en las esquinas de la parte trasera de la campana, están colocados de fábrica en posición baja (A). Por cada soporte, destornille ligeramente los tornillos de sujeción y levante el soporte como ilustrado en B, después apriete los tornillos.

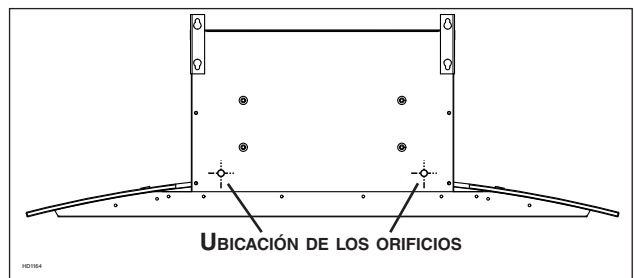


8. INSTALE LA CAMPANA

⚠ ADVERTENCIA

TENGA CUIDADO al instalar la chimenea decorativa y la campana, pueden tener bordes cortantes.

1. Alinee la campana con la línea del centro de la instalación previamente trazada en la pared. Baje lentamente la campana hasta que encaje en los tornillos de la pared.
2. Ponga a nivel la campana y apriete totalmente los tornillos.
3. Sujete la campana a la pared con 2 tornillos de montaje M4 x 38 Phillips de cabeza redonda y 2 arandelas en la parte inferior trasera de la campana (ver la vista posterior a la derecha). Apriete totalmente todos los tornillos.

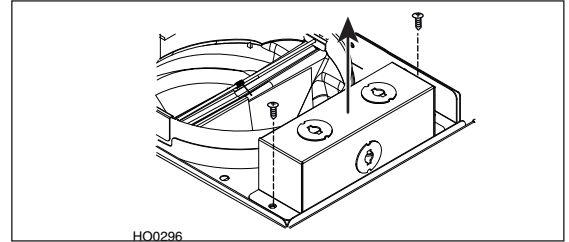


8. CONEXIÓN ELÉCTRICA

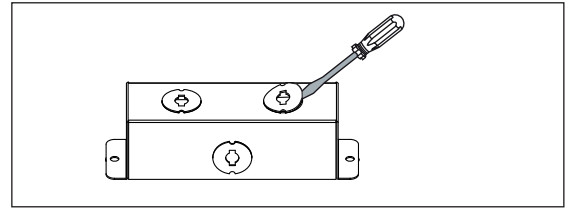
⚠ ADVERTENCIA

Riesgo de descarga eléctrica. El cableado eléctrico debe hacerlo personal cualificado de acuerdo todos los códigos y normas. Antes de iniciar el cableado, desconecte la corriente eléctrica en la entrada de servicio y bloquee éste para evitar que se ponga en marcha accidentalmente.

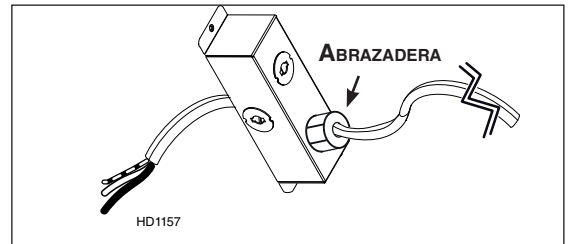
Retire la tapa de la caja de conexiones de la parte superior de la campana retirando los dos tornillos. Coloque la tapa y los tornillos a un lado.



Retire un orificio punzonado sobre la parte superior de la caja de conexiones.



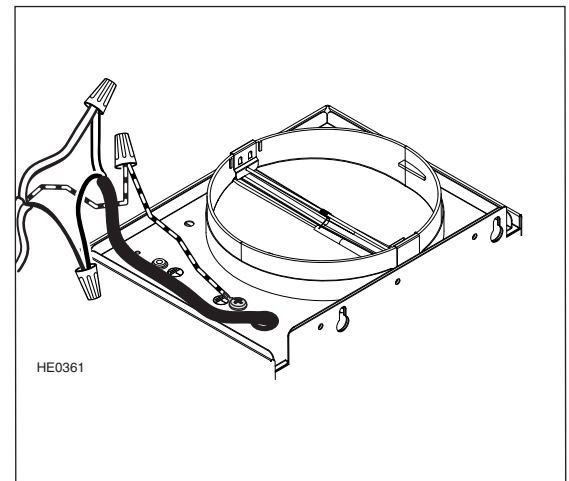
Instale una abrazadera aprobada por UL (no provista) sobre el cable de alimentación de la casa a 4 pulg. del extremo del cable. Pase el cable de alimentación a través de la abertura de la tapa de la caja de conexiones y utilice la abrazadera para sujetar el cable de alimentación de la casa a la tapa de la caja de conexiones.



Conecte el cableado de la campana al cable de alimentación de la vivienda usando los conectadores suministrados : El hilo NEGRO con el NEGRO, el BLANCO con el BLANCO y el VERDE o el hilo pelado con el VERDE.

NO OLVIDES CONECTAR LA PUESTA A TIERRA.

Reintegre la tapa de la caja de conexiones. Asegúrese de que todos los cables sean en la tapa de la caja de conexiones.



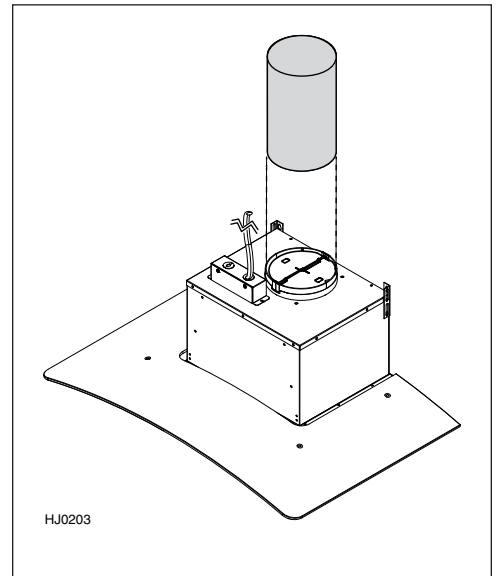
PRECAUCIÓN

Asegúrese de no atascar ningún hilo al volver a colocar la tapa de la caja de conexiones.

10. CONEXIÓN DEL CONDUCTO

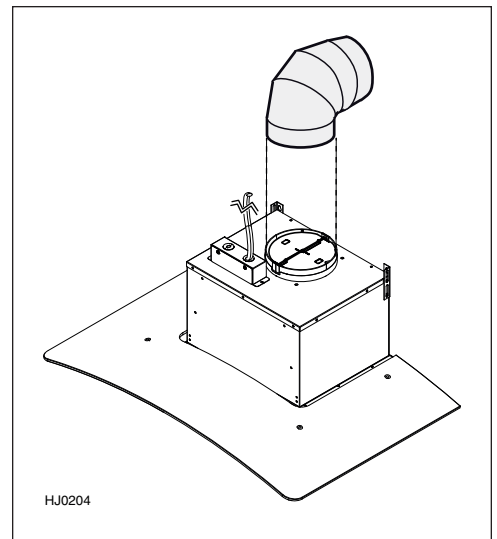
INSTALACIÓN POR SALIDA VERTICAL:

Ponga una sección de conducto redondo de acero de 6 pulg. sobre el adaptador/compuerta en la campana hasta la tapa de techo. Utilice cinta adhesiva metálica para sellar la junta.



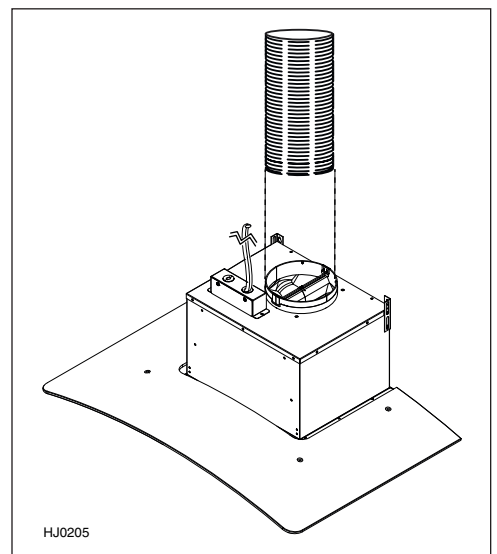
INSTALACIÓN POR SALIDA HORIZONTAL:

Mida e instale los conductos redondos de acero de 6 pulg. a la tapa para pared, y el codo de 90° sobre el adaptador/compuerta en la campana. Utilice cinta adhesiva metálica para sellar las juntas.



INSTALACIÓN SIN CONDUCTO:

Retirar las compuertas del adaptador. Mida la longitud necesaria de conducto flexible redondo de 6 pulg. de aluminio (incluido en el kit para sistemas sin conducto) para cubrir la distancia que separa la parte superior de la campana y la cámara. Ponga el conducto flexible redondo de 6 pulg. sobre el adaptador en la campana. Utilice cinta adhesiva metálica para sellar la junta.



11. PREPARE LA CHIMENEA DECORATIVA

PRECAUCIÓN

NO RETIRE aún la película protectora de plástico que cubre la parte superior de la chimenea decorativa.

NOTA: Las partes inferior y superior de la chimenea vienen con la campana, pero para techos de 9 pies o más, deseche las partes inferior y superior y utilice la prolongación opcional de la chimenea, n.º de pieza n.º AEEW46SS (acero inoxidable) (vendida por separado).

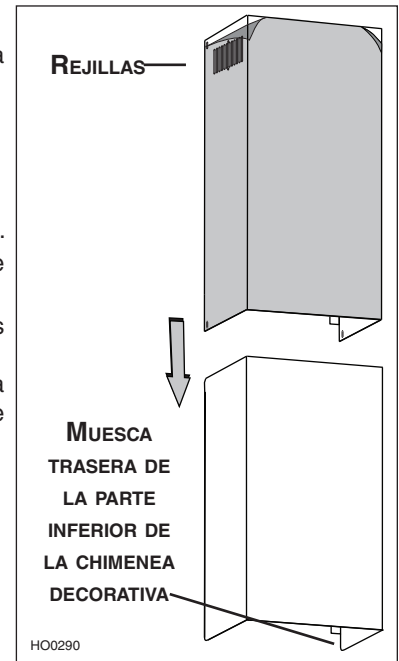
Retire la parte superior del interior de la parte inferior de la chimenea decorativa. Retire la película protectora de plástico que cubre sólo la parte inferior de la chimenea.

Despegue las dos esquinas superiores de la película protectora en la parte superior de la chimenea.

NOTA: Únicamente para una instalación sin conducto, retire la película protectora de plástico que cubre las rejillas.

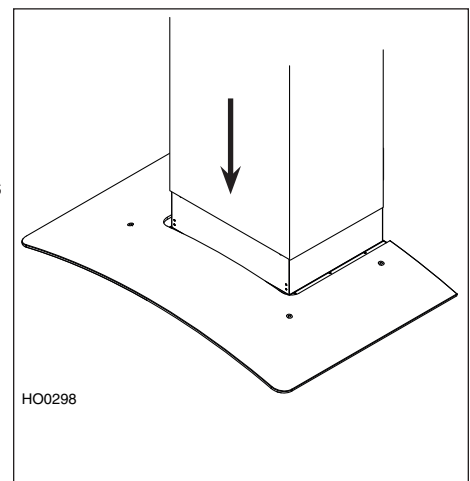
Deslice con cuidado la parte superior de la chimenea dentro de la parte inferior de forma que las rejillas queden arriba.

NOTA: Únicamente para una instalación con conductos, se puede invertir la parte superior de la chimenea para ocultar las rejillas en algunas aplicaciones dependiendo de las alturas de instalación.



12. INSTALE LA CHIMENEA DECORATIVA

Coloque cuidadosamente en su lugar la base de la chimenea decorativa (el extremo con las muescas en primer lugar) en la parte superior de la campana.

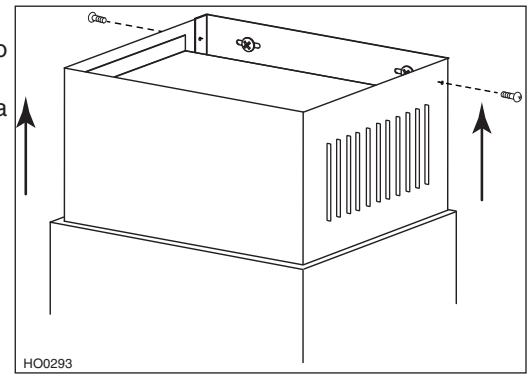


12. INSTALE LA CHIMENEA DECORATIVA (CONTINUACIÓN)

INSTALACIÓN SIN CONDUCTO:

Tira hacia arriba la parte superior de la chimenea decorativa y fijela a la cámara usando 2 tornillos de montaje M4 x 12 Phillips de cabeza redonda 9 mm.

Retire la película protectora de plástico que cubre la parte superior de la chimenea y la campana.



INSTALACIÓN CON CONDUCTOS:

Tira hacia arriba la parte superior de la chimenea decorativa hasta que quede alineada con el soporte de montaje. El soporte debe quedar dentro de la chimenea. Sujete la parte superior de la chimenea al soporte con 2 tornillos de montaje M4 x 12 Phillips de cabeza redonda 9 mm.

NOTA: no se muestra el conducto en la ilustración para facilitar la comprensión.

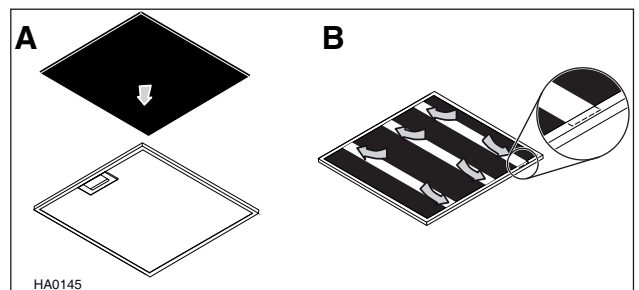
Retire la película protectora de plástico que cubre la parte superior de la chimenea y la campana.



13. VUELVA A INSTALAR LOS FILTROS DE GRASA

INSTALACIÓN SIN CONDUCTO:

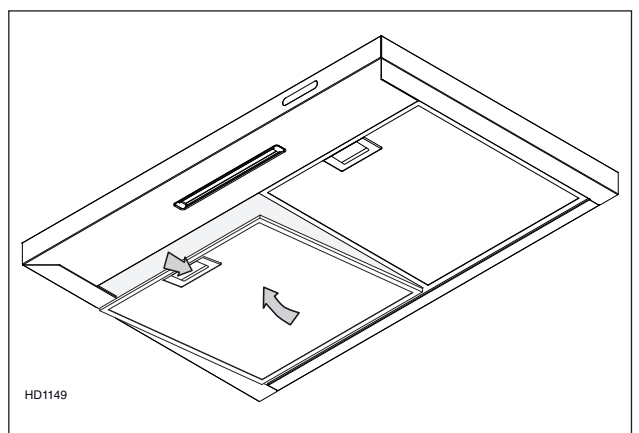
Instale un filtro de carbón en la parte posterior de cada filtro de grasa (A). Sostener el filtro de carbón en su lugar insertando los extremos de las 3 tiras de metal en el marco de cada filtro de grasa (B).



TODAS LAS INSTALACIONES:

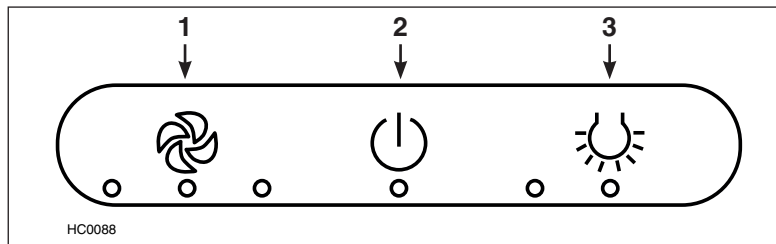
Reinstale los filtros de grasa alineando las lengüetas posteriores del filtro con las ranuras de la campana. Estire hacia abajo la lengüeta metálica del cierre, presione el filtro en su posición y libere.

Asegúrese de que los filtros estén seguramente enganchados después de su instalación.



14. FUNCIONAMIENTO

Ponga en marcha siempre la campana antes de empezar a cocinar para crear una corriente de aire en la cocina. Deje que el ventilador funcione durante unos minutos para limpiar el aire una vez apagada la cocina. Esto ayudará a mantener toda la cocina más limpia y despejada.



- 1) Sensor Velocidad del ventilador/Apagado
- 2) Sensor Maestro de Encendido/Apagado
- 3) Sensor Intensidad de las luces/Apagado

1. SENSOR VELOCIDAD DEL VENTILADOR/APAGADO (SENSOR DOBLE FUNCIÓN) :

Toque el sensor Velocidad del ventilador/Apagado para poner en marcha el ventilador a velocidad baja. Toque el sensor dos veces para poner en marcha el ventilador a velocidad media y una vez más para la velocidad alta. El indicador bajo el sensor se iluminará según la velocidad elegida (una LED = baja velocidad, 2 LEDs = media velocidad, 3 LEDs = alta velocidad). Toque el sensor una vez más para apagar el ventilador; los indicadores LED se apagarán.

2. SENSOR MAESTRO DE ENCENDIDO/APAGADO :

Cuando el ventilador y las luces están encendidos, toque el sensor Maestro de Encendido/Apagado para apagar el ventilador y las luces. Cuando el ventilador y las luces están apagados, toque este sensor para encender el ventilador al último ajuste guardado y para encender la luz a la última intensidad guardada.

3. SENSOR INTENSIDAD DE LAS LUCES/APAGADO :

Toque este sensor una vez para encender la luz a intensidad baja, un indicador LED se iluminará. Toque este sensor una vez más para encender la luz a intensidad alta (los dos indicadores LED se iluminarán). Toque este sensor una vez más para apagar la luz (los dos indicadores LED se apagarán).

15. CUIDADO

Filtros de grasa

Los filtros de grasa deberían limpiarse con frecuencia. Use una disolución de agua tibia y detergente para vajilla. Los filtros de grasa se pueden lavar en el lavaplatos.

Lave los filtros metálicos en el lavaplatos con un detergente sin fosfato. Los filtros de pueden descolorar si se lavan con detergentes con fosfato o debido a las características del agua local pero esto no afecta su desempeño. Esta descoloración no está cubierta por la garantía. A fin de reducir al mínimo o prevenir la descoloración, lave los filtros a mano con un detergente suave.

Filtros de recirculación

Cambie los filtros de recirculación cada 6 meses. Compre el S99010475 para las campanas de la serie EW46.

Limpieza de la campana

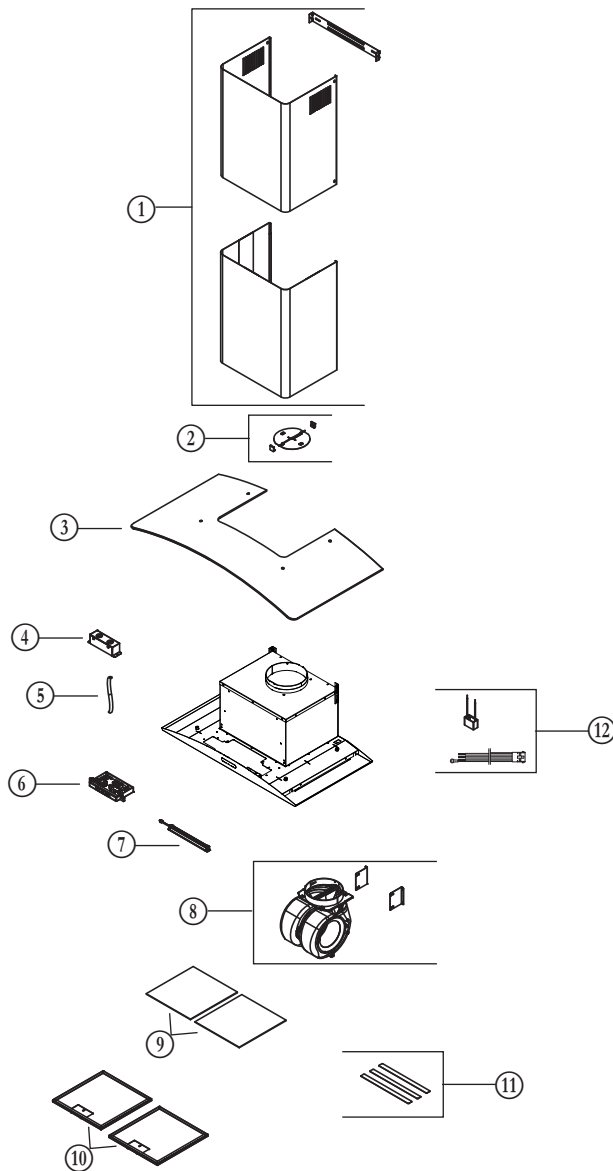
Limpieza del acero inoxidable:

Al escoger un detergente, evite:

Debe hacerse:	No debe hacerse:
<ul style="list-style-type: none">• Lavar regularmente con un paño limpio o un trapo empapado con agua tibia y jabón suave sin fosfato o detergente líquido para vajillas.• Limpiar siempre en la dirección de las líneas originales de pulido del metal.• Enjuagar siempre con agua limpia (2 o 3 veces) después de limpiar. Secar completamente.• También puede utilizar un limpiador doméstico especial para acero inoxidable.	<ul style="list-style-type: none">• Utilizar un estropajo de acero o acero inoxidable u otro tipo de rasquetas para quitar la suciedad resistente.• Utilizar limpiadores fuertes o abrasivos.• Dejar que la suciedad se acumule.• Dejar que el polvo del yeso u otros residuos de la construcción manchen la campana. Si efectúa obras de construcción o renovación, cubra la campana para que no se manche la superficie de acero inoxidable.

- Los limpiadores que contienen **blanqueador** (lejía), ya que dañarán el acero inoxidable.
- Los productos que contengan **cloruro, fluoruro, yoduro y bromuro**, ya que deterioran las superficies rápidamente.
- Los productos combustibles que se emplean para la limpieza, como **acetona, alcohol, éter, bencol, etc.**, ya que son altamente explosivos y nunca deberían estar cerca de una cocina.

16. PIEZAS DE RECAMBIO



REPUESTOS Y REPARACIONES

Para que el aparato esté en buenas condiciones, use sólo repuestos genuinos Broan-NuTone LLC o Venmar Ventilation ULC. Los repuestos genuinos Broan-NuTone LLC o Venmar Ventilation ULC están diseñados especialmente para responder a las normas de certificación aplicables y mantener un alto nivel de seguridad. Los repuestos de otros fabricantes pueden dañar seriamente el aparato y reducir drásticamente su nivel de rendimiento, lo cual podría causar una falla prematura. Broan-NuTone LLC y Venmar Ventilation ULC recomiendan comunicar con un centro de servicios autorizado para todos los repuestos y reparaciones.

HL0457

N.º	N.º DE PIEZA	DESCRIPCIÓN	30 PULG.	36 PULG.
1	S97021447	CHIMENEA DECORATIVA (SUPERIOR Y INFERIOR) (ACERO INOXIDABLE) CON SOPORTE	1	1
2	S99527461	CONJUNTO DE LA COMPUERTA	1	1
3	S97021445	PLACA DE VIDRIO CURVO CON FERRETERÍA	1	
	S97021446	PLACA DE VIDRIO CURVO CON FERRETERÍA		1
4	S99840026	CAJA DE CONEXIONES	1	1
5	S97021448	CABLE DE ALIMENTACIÓN	1	1
6	S97021443	TARJETA ELECTRÓNICA	1	1
7	S99010479	MÓDULO LED	1	1
8	S97021444	CONJUNTO DE MOTOR Y VENTILADOR	1	1
9	S99010475	FILTROS DE RECIRCULACIÓN (JUNTO DE 2) (TIRAS DE METAL NO INCLUIDAS)	1	1
10	S99010478	FILTROS DE GRASA DE ALUMINIO (JUNTO DE 2)	1	1
11	S99010482	TIRAS DE METAL POR FILTROS DE RECIRCULACIÓN (JUNTO DE 3)	2	2
12	S99271685	CONJUNTO DEL CONDENSADOR Y ARNES DE HILOS	1	1
*	S97021435	BOLSA DE PIEZA: 6 TORNILLOS DE MONTAJE M4 x 38 PHILLIPS DE CABEZA REDONDA 9 MM, 2 TORNILLOS DE MONTAJE M4 x 12 PHILLIPS DE CABEZA REDONDA 9 MM, 2 ARANDELAS, 3 CONECTADORES, 1 SOPORTE DE MONTAJE DE LA PARTE SUPERIOR DE LA CHIMENEA DECORATIVA, 2 SOPORTES DE MONTAJE Y 4 TORNILLOS 3/16-24 x 1/2 PULG.	1	1

* NO SE MUESTRA.

17. GARANTÍA

Garantía limitada

Periodo y exclusiones de la garantía: Broan-NuTone LLC o Venmar Ventilation ULC (sea esta la “Compañía”) garantiza al consumidor comprador original de su producto (“usted”) que el producto (el “Producto”) estará libre de defectos en materiales o en mano de obra, por un periodo de un (1) año a partir de la fecha de compra original (o por un periodo mayor según sea requerido por la legislación aplicable).

El periodo de garantía limitada para cualquier pieza de repuesto proporcionada por la compañía y para cualquier Producto reparado o reemplazado bajo esta garantía limitada debe ser lo que reste del periodo de garantía original (o por un periodo mayor según sea requerido por la legislación aplicable).

Esta garantía no cubre arrancadores de lámparas fluorescentes, tubos, bombillas de halógeno e incandescentes, fusibles, filtros, conductos, tapas de techo, tapas de pared ni otros accesorios que pudieran ser comprados por separado e instalados con el producto. Esta garantía tampoco cubre (a) mantenimiento y servicio normal, (b) uso y desgaste normal, (c) Productos o piezas sujetos a mal uso, abuso, uso anormal, negligencia, accidente, mantenimiento inadecuado o insuficiente, almacenamiento o reparación (que no sea reparación por parte de la Compañía), (d) daños causados por instalación defectuosa, o bien instalación o uso contrario a las recomendaciones o instrucciones, (e) cualquier Producto que se haya movido de su punto de instalación original, (f) daños ocasionados por el medio ambiente o los elementos naturales, (g) daños en tránsito, (h) desgaste natural del acabado, (i) Productos en uso comercial o no residencial, o (j) daños ocasionados por incendio, inundación u otro caso fortuito o (k) Productos con un número de serie alterado, removido o mutilado. Esta garantía cubre solamente Productos vendidos a clientes originales en los Estados Unidos y Canadá por la Compañía o a distribuidores de EE. UU. y Canadá autorizados por la Compañía.

Esta garantía sustituye todas las garantías anteriores y no es transferible del comprador consumidor original.

No hay otras garantías: Esta garantía limitada contiene la única obligación de la Compañía y su único recurso ante productos defectuosos. Las garantías anteriores son exclusivas y en lugar de cualquier otra garantía, expresa o implícita. **LA COMPAÑÍA NIEGA Y EXCLUYE CUALQUIER OTRA GARANTÍA EXPRESA, Y NIEGA Y EXCLUYE TODAS LAS GARANTÍAS IMPLÍCITAS, CONDICIONES Y ESTIPULACIONES IMPLÍCITAS POR LEY, INCLUYENDO, ENTRE OTRAS, LAS DE COMERCIALIZACIÓN Y APTITUD PARA UN PROPÓSITO EN PARTICULAR.**

Hasta el grado en que la ley aplicable prohíba la exclusión de las garantías implícitas, condiciones y estipulaciones, la duración de cualquier garantía implícita aplicable está limitada al periodo especificado para la garantía expresa antes mencionada. Algunas jurisdicciones no permiten limitaciones en la duración de una garantía implícita, así que la limitación anterior tal vez no aplique en su caso. Cualquier descripción verbal o escrita del Producto es para el único propósito de identificarlo y no deberá considerarse como una garantía expresa.

Siempre que sea posible, toda disposición de esta garantía limitada deberá ser interpretada de tal forma que sea efectiva y válida de conformidad con la ley aplicable, pero si alguna disposición fuera considerada prohibida o inválida, quedará sin efecto solo en virtud de dicha prohibición o invalidez, sin invalidar el resto de dicha disposición o las demás disposiciones restantes de la garantía limitada.

Recurso: Durante el periodo de garantía limitada aplicable, la Compañía, a su opción, suministrará piezas de repuesto, o reparará o reemplazará, sin cargo alguno, cualquier Producto o pieza del mismo, hasta el grado en que la Compañía lo encuentre cubierto bajo esta garantía limitada y en incumplimiento de la misma en condiciones normales de uso y servicio. La Compañía le enviará el Producto reparado o reemplazado o las piezas de repuesto sin cargo. Usted es responsable de todos los costos de retiro, reinstalación y envío, seguro u otros cargos de flete incurridos en el envío del Producto o pieza a la Compañía. Si debe enviar el Producto o la pieza a la Compañía, tal como lo indique la Compañía, debe empaquetar adecuadamente el Producto o la pieza: la Compañía no se hace responsable por los daños en tránsito. La Compañía se reserva el derecho de utilizar Productos o piezas reacondicionados, renovados, reparados o refabricados en el proceso de reemplazo o reparación de garantía. Dichos Productos y piezas serán comparables en función y desempeño a un Producto o una pieza original y tendrán garantía durante el resto del periodo de la garantía original (o por un periodo mayor según sea requerido por la legislación aplicable).

La Compañía se reserva el derecho, a su sola discreción, a devolver el dinero que pagó por el Producto en lugar de la reparación o sustitución. Si el producto o componente ya no está disponible o esta discontinuado, el reemplazo podrá ser efectuado por un producto similar de igual o mayor valor, a criterio exclusivo de la Compañía. Este es su único y exclusivo recurso por incumplimiento de esta garantía limitada.

Exclusión de daños: LA OBLIGACIÓN DE LA COMPAÑÍA DE SUMINISTRAR PIEZAS DE REPUESTO, O DE REPARAR O REEMPLAZAR, A OPCIÓN DE LA COMPAÑÍA, SERÁ SU ÚNICO Y EXCLUSIVO RECURSO BAJO ESTA GARANTÍA LIMITADA, Y LA ÚNICA Y EXCLUSIVA OBLIGACIÓN DE LA COMPAÑÍA. LA COMPAÑÍA NO SERÁ RESPONSABLE POR DAÑOS INCIDENTALES, INDIRECTOS, RESULTANTES O ESPECIALES QUE SURJAN POR EL USO O DESEMPEÑO DEL PRODUCTO, O EN RELACIÓN CON EL MISMO. Los daños incidentales incluyen pero no se limitan a daños tales como pérdida de uso. Los daños consecuentes incluyen pero no se limitan a los gastos de reparación o sustitución de otra propiedad que fue dañada si el Producto no funcionase apropiadamente.

LA COMPAÑÍA NE SERÁ RESPONSABLE ANTE USTED, NI NINGÚN DERECHOHABIENTE, DE CUALQUIER OTRA OBLIGACIÓN O RESPONSABILIDAD INCLUYENDO, PERO NO LIMITADO A, OBLIGACIONES O RESPONSABILIDADES DERIVADAS DEL INCUMPLIMIENTO DE CONTRATO O GARANTÍA, NEGLIGENCIA U OTRO AGRAVIO O CUALQUIER TEORÍA DE RESPONSABILIDAD OBJETIVA, CON RESPECTO AL PRODUCTO O ACTOS U OMISIONES DE LA COMPAÑÍA DE CUALQUIER OTRA FORMA.

Algunas jurisdicciones no permiten la exclusión o limitación de daños incidentales o resultantes, por lo que la limitación antes mencionada podría no aplicarse a usted. Esta garantía le otorga derechos legales específicos, y usted podría tener otros derechos que varían de jurisdicción a jurisdicción. Las aclaraciones, exclusiones y limitaciones de responsabilidad bajo esta garantía no aplicarán en la medida que lo prohiban las leyes aplicables.

Esta garantía cubre únicamente el reemplazo o la reparación de Productos defectuosos o piezas de los mismos en la planta principal de la Compañía, y no incluye el costo del viaje para el servicio de campo ni los viáticos.

Cualquier asistencia que proporcione o procure la Compañía para usted fuera de los términos, limitaciones o exclusiones de esta garantía limitada no constituirá una renuncia a dichos términos, limitaciones o exclusiones, ni dicha asistencia extenderá o renovará la garantía.

La Compañía no le reembolsará ningún gasto en el que usted haya incurrido al reparar o reemplazar cualquier Producto defectuoso, excepto los incurridos con el permiso previo por escrito de la Compañía.

Cómo obtener el servicio cubierto por la garantía: Para tener derecho al servicio cubierto por la garantía, usted debe (a) notificar a la Compañía a la dirección o número de teléfono que aparecen abajo en un plazo de siete (7) días después de descubrir el defecto cubierto, (b) proporcionar el número de modelo y la identificación de la pieza y (c) describir la naturaleza de cualquier defecto en el Producto o la pieza. En el momento de solicitar el servicio cubierto por la garantía, debe presentar un comprobante de la fecha de compra original. Si usted no puede presentar una copia de la garantía limitada original por escrito, entonces regirán los términos de la garantía limitada por escrito más actualizada de la compañía para su producto en particular. Las garantías limitadas por escrito más actualizadas para los productos de la Compañía se pueden encontrar en www.broan.com y www.broan.ca

Broan-NuTone LLC 926 West State Street, Hartford, WI 53027 www.broan.com 800-637-1453

Venmar Ventilation ULC, 550 Lemire Blvd., Drummondville, Québec, Canada J2C 7W9 www.broan.ca 1-877-896-1119