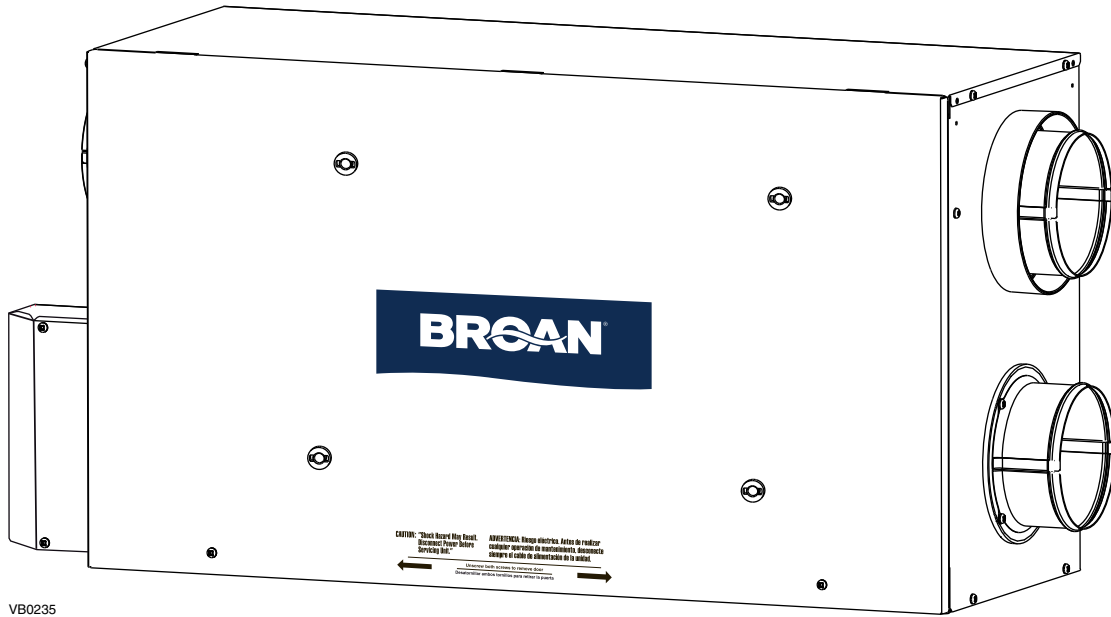


BROAN®

INSTALLATION GUIDE



MODELS HRVH100S AND ERVH100S



These products earned the ENERGY STAR® by meeting strict energy efficiency guidelines set by Natural Resources Canada and the US EPA. They meet ENERGY STAR requirements only when used in Canada.

⚠ RESIDENTIAL INDOOR USE ONLY ⚠

READ AND SAVE THESE INSTRUCTIONS

Broan-NuTone LLC; Hartford, Wisconsin www.broan.com 800-543-3055

REGISTER YOUR PRODUCT ONLINE AT: www.broan.com/register

For additional information - visit www.broan.com



ABOUT THIS GUIDE

Please take note that this manual uses the following symbols to emphasize particular information:

⚠ WARNING

Identifies an instruction which, if not followed, might cause serious personal injuries including possibility of death.

CAUTION

Identifies an instruction which, if not followed, may severely damage the unit and/or its components.

NOTE: Indicates supplementary information needed to fully complete an instruction.

ABOUT THESE UNITS

LIMITATION

For residential (domestic) installation only. Installation work and electrical wiring must be done by a qualified person(s) in accordance with all applicable codes and standards, including fire-rated construction codes and standards.

⚠ WARNING

TO REDUCE THE RISK OF FIRE, ELECTRIC SHOCK, OR INJURY TO PERSON(S) OBSERVE THE FOLLOWING:

1. Use this unit only in the manner intended by the manufacturer. If you have questions, contact the manufacturer at the address or telephone number listed in the warranty.
2. We recommend that your unit be inspected by a specialized technician once a year.
3. Before servicing or cleaning the unit, disconnect power cord from electrical outlet.
4. This unit is not designed to provide combustion and/or dilution air for fuel-burning appliances.
5. When cutting or drilling into wall or ceiling, do not damage electrical wiring and other hidden utilities.
6. Do not use this unit with any solid-state speed control device other than following optional main and auxiliary wall controls:

Optional Main Controls	Optional Auxiliary Controls
VT8W, VT7W, VT4W and VT6W	59W and VB60W

7. This unit must be grounded. The power supply cord has a 3-prong grounding plug for your personal safety. It must be plugged into a mating 3-prong grounding receptacle, grounded in accordance with the national electrical code and local codes and ordinances. Do not remove the ground prong. Do not use an extension cord.
8. Do not install in a cooking area or connect directly to any appliances.
9. Do not use to exhaust hazardous or explosive materials and vapors.
10. When performing installation, servicing or cleaning the unit, it is recommended to wear safety glasses and gloves.
11. Due to the weight of the unit, two installers are recommended to perform installation.
12. When applicable local regulations comprise more restrictive installation and/or certification requirements, the aforementioned requirements prevail on those of this document and the installer agrees to conform to these at his own expenses.

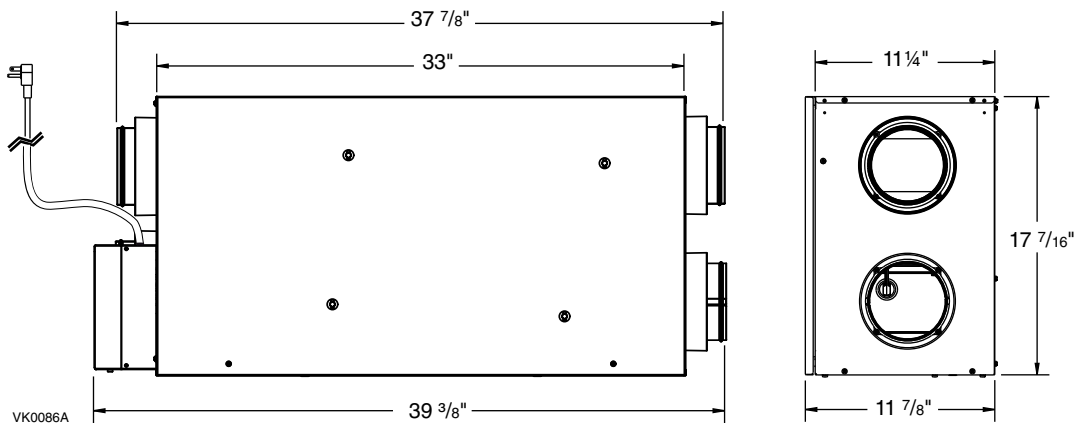
CAUTION

1. To avoid premature clogged filters, turn OFF the unit during construction or renovation.
2. Please read specification label on product for further information and requirements.
3. Be sure to duct air outside – Do not intake/exhaust air into spaces within walls or ceiling or into attics, crawl spaces, or garage.
4. Intended for residential installation only in accordance with the requirements of NFPA 90B.
5. Do not run any air ducts directly above or closer than 2 ft to any furnace or its supply plenum, boiler, or other heat producing appliance. If a duct has to be connected to the furnace return plenum, it must be connected not closer than 9' 10" from this plenum connection to the furnace.
6. The ductwork is intended to be installed in compliance with all applicable codes.
7. When leaving the house for a long period of time (more than two weeks), a responsible person should regularly check if the unit operates adequately.
8. If the ductwork passes through an unconditioned space (e.g.: attic), the unit must operate continuously except when performing maintenance and/or repair. Also, the ambient temperature of the house should never drop below 65°F.

TABLE OF CONTENTS

1.	DIMENSIONS	3
2.	TYPICAL INSTALLATIONS.	4
2.1	FULLY DUCTED SYSTEM	4
2.2	CENTRAL DRAW POINT	4
2.3	SIMPLIFIED INSTALLATION	4
3.	INSTALLATION	5-11
3.1	INSPECT THE CONTENT OF THE BOX	5
3.2	TOOLS AND MATERIAL	6
3.3	LOCATING THE UNIT	6
3.4	PLANNING OF THE DUCTWORK	6
3.5	INSTALLING NON-INSULATED DUCTS AND DIFFUSERS	7-9
3.5.1	FULLY DUCTED SYSTEM	7
3.5.2	CENTRAL DRAW POINT	8
3.5.3	SIMPLIFIED INSTALLATION.	9
3.6	INSTALLING INSULATED FLEXIBLE DUCTS	10
3.6.1	CONNECTION TO THE UNIT PORTS	10
3.6.2	LOCATING EXTERIOR PORTS	10
3.7	CONNECTING INSULATED DUCTS TO EXTERIOR PORTS	11
3.8	INSTALLING TANDEM® TRANSITION KIT	11
3.9	CONNECTING THE DRAIN	11
4.	CONTROLS	12-14
4.1	INTEGRATED CONTROL	12
4.2	BOOTING SEQUENCE	12
4.3	SETTING EXTENDED DEFROST	12
4.4	ELECTRICAL CONNECTION TO OPTIONAL WALL CONTROLS	13-14
4.4.1	ELECTRICAL CONNECTION TO VT8W MAIN WALL CONTROL.	13
4.4.2	ELECTRICAL CONNECTION TO VT7W MAIN WALL CONTROL.	13
4.4.3	ELECTRICAL CONNECTION TO VT4W MAIN WALL CONTROL.	13
4.4.4	ELECTRICAL CONNECTION TO VT6W MAIN WALL CONTROL.	13
4.4.5	ELECTRICAL CONNECTION TO OPTIONAL AUXILIARY WALL CONTROLS.	14
5.	ELECTRICAL CONNECTION TO THE FURNACE	15
6.	WIRING DIAGRAM	16
7.	BALANCING THE UNIT.	17
8.	SERVICE PARTS	18
9.	TROUBLESHOOTING	19-20

1. DIMENSIONS



2. TYPICAL INSTALLATIONS

Use the following illustrations as guidelines to help you decide on how the unit will be installed.

All the units should be hung from the joists.

In every case, bathroom fans and a range hood could be used to exhaust stale air. Also, for homes with more than one level, we recommend one exhaust register at the highest level.

There are 3 installation methods: Fully Ducted System, Central Draw Point and Simplified Installation.

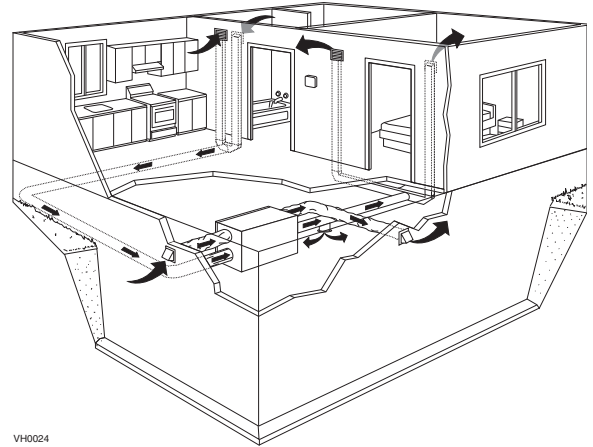
NOTE: An electrical outlet has to be available within 3 feet of the unit.

2.1 FULLY DUCTED SYSTEM (PRIMARYLY FOR HOMES WITH RADIANT HOT WATER OR ELECTRIC BASEBOARD HEATING)

Stale air coming from the register located at the highest level of the house is exhausted to the outside. Fresh air from outside is filtered and supplied by the register located in the lowest liveable level.

Homes with more than one level require at least one exhaust register at the highest level.

See figure at right.

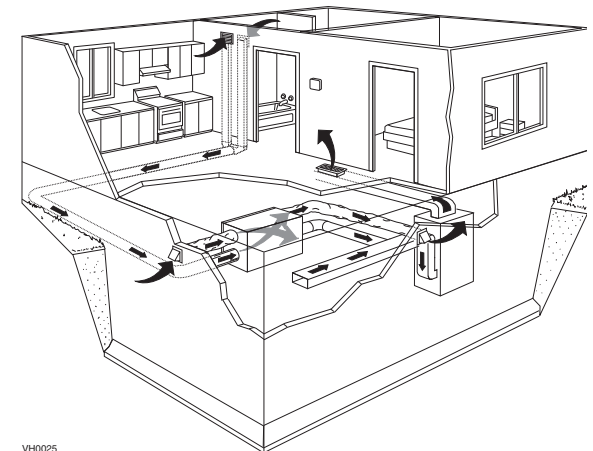


2.2 CENTRAL DRAW POINT (CONNECTION TO A FORCED AIR SYSTEM)

Stale air coming from the register located at the highest level of the house is exhausted to the outside. Fresh air from outside is filtered and supplied to the return (plenum) or the supply duct of the forced air unit. See figure at right.

For this type of installation, it is not essential that the forced air system blower runs when the unit is in operation, but we recommend it.

NOTE: Home with multiple forced air systems should have one unit on each system.

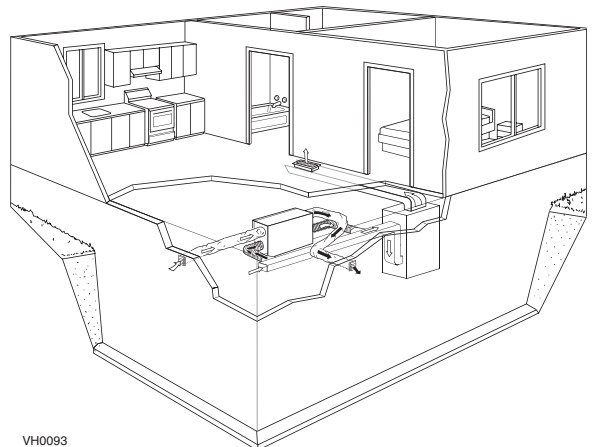


2.3 SIMPLIFIED INSTALLATION (CONNECTION TO A FORCED AIR SYSTEM)

Stale air is exhausted to the outside. Fresh air from outside is filtered and supplied to the return (plenum) or the supply duct of the forced air unit. See figure at right.

To avoid cross-contamination and achieve the highest efficiencies, the forced air system blower must always be ON.

NOTE: Home with multiple forced air systems should have one unit on each system.



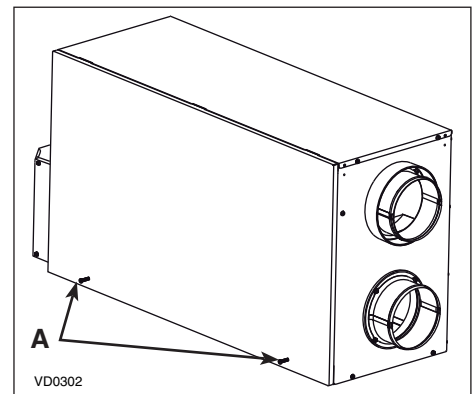
3. INSTALLATION

3.1 INSPECT THE CONTENT OF THE BOX

NOTE: Before proceeding to the installation, check the content of the box. Remove all packaging material from the unit.

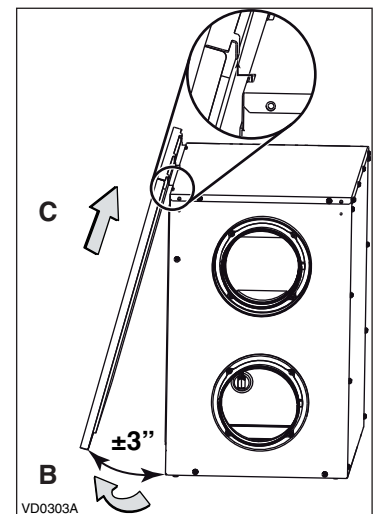
- Inspect the exterior of the unit for shipping damage. Ensure that there is no damage to the door, ports, power cord, etc.

- Using a Phillips or a Robertson screwdriver, loosen both door screws (A).
NOTE: The screws will stay attached to the door.



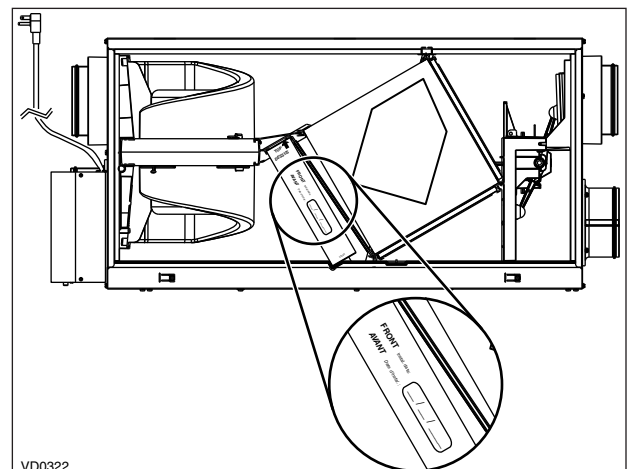
- Open (B) and lift out (C) the door.

CAUTION
In order to prevent damages to the door hooks, do not open completely the unit door; tilt it about 3" from the unit base and lift it up. See illustration at right.



- Remove the transport tape over the heat or energy recovery core of the unit.
- Inspect the inside of the unit for damage. Ensure that blower assembly, heat or energy recovery core, core filters, insulation, dampers, prefilter and HEPA filter, etc. are all intact, then reinstall the door.

NOTE: Write the installation date on the HEPA filter frame for future reference (see illustration at right).



3. INSTALLATION (CONT'D)

3.2 TOOLS AND MATERIAL

Following are the tools and material needed:

- Phillips no. 2 or Robertson no. 2 screwdriver
- Small flat blade screwdriver (for wall control connection)
- Wire stripper (for wall control connection)
- Hammer and flat blade screwdriver (for plenum or supply furnace duct connection installation only, to make holes in existing metal duct)
- Scissors or utility knife (to cut duct tape)
- Measuring tape
- Duct tape
- Tin snips or metal shear (for plenum or supply furnace duct connection installation only, to cut ductwork)
- Aluminum duct tape (for plenum connection installation only)
- Jig saw
- Caulking gun and caulking.

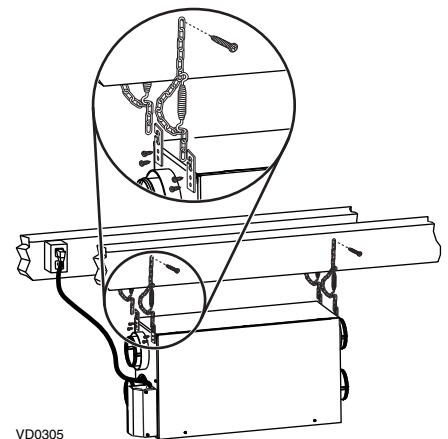
3.3 LOCATING THE UNIT

Choose an appropriate location for the unit.

- Within an area of the house **where the ambient temperature is kept between 50°F and 104°F.**
- Away from living areas (dining room, living room, bedroom), if possible.
- So as to provide easy access to the interior of the unit, for maintenance.
- Close to an exterior wall, so as to limit the length of the insulated flexible duct to and from the unit.
- Away from hot chimneys and other fire hazards.
- Allow for a power source (standard 3-prong grounding outlet).
- FOR HRV UNITS ONLY: Close to a drain. If no drain is close by, use a pail to collect run-off.

Hang the unit with the four hooks, chains and springs provided. See illustration at right.

CAUTION
Make sure the unit is level.



3.4 PLANNING OF THE DUCTWORK

- Keep it simple. Plan for a minimum of bends and joints.
- Keep the length of insulated ducts to a minimum.
- Do not ventilate crawl spaces or cold rooms. Do not attempt to recover the exhaust air from a dryer or a range hood. This would cause clogging of the filters and recovery module.
- If the house has two floors or more, be sure to plan for at least one exhaust register on the highest lived-in level.

3. INSTALLATION (CONT'D)

3.5 INSTALLING NON-INSULATED DUCTS AND DIFFUSERS

3.5.1 FULLY DUCTED SYSTEM (AS ILLUSTRATED IN SECTION 2.1)

⚠ WARNING

Never install a stale air exhaust diffuser in a closed room where a combustion device operates, such as a gas furnace, a gas water heater or a fireplace.

Stale air exhaust ductwork

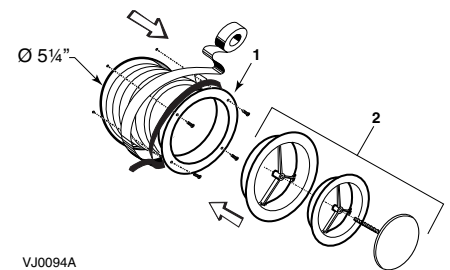
- Install the stale air exhaust diffuser in the main area where the contaminants are produced: kitchen, living room, etc. Position the diffuser as far from the stairway as possible and in such a way that the air circulates in all the lived-in spaces in the house. If desired, you can install another diffuser (sold separately).
- If a diffuser is installed in the kitchen, it must be located at least 4 feet from the range.
- Install the diffuser 6 to 12 inches from the ceiling on an interior wall OR install it in the ceiling.

Fresh air distribution ductwork

- Install the fresh air distribution diffuser in a large, open area in the lowest level to ensure the greatest possible air circulation.
- Keep in mind that the fresh air diffuser must be located as far as possible from the stale air diffuser. If desired, you can install another diffuser.
- Install the diffuser either in the ceiling OR 6 to 12 inches from the ceiling on an interior wall. (The cooler air will then cross the upper part of the room and mix with room air, before descending to occupant's level.)
- If a register must be floor installed, direct the airflow up the wall.

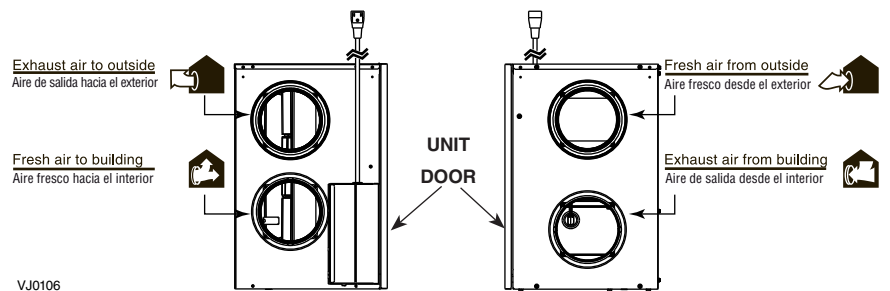
HOW TO CONNECT THE FLEXIBLE DUCTS TO THE DIFFUSERS

Once the diffusers location is determined, cut out 5¼" diameter hole. Run one end of the flexible duct through the hole and fix it to the diffuser base (1), using a tie wrap and duct tape. Assemble the diffuser base to the wall (or ceiling) using its 4 no. 8 x 3/4" screws. Then, slide in the diffuser (2). See illustration at right.



UNIT PORTS IDENTIFICATION

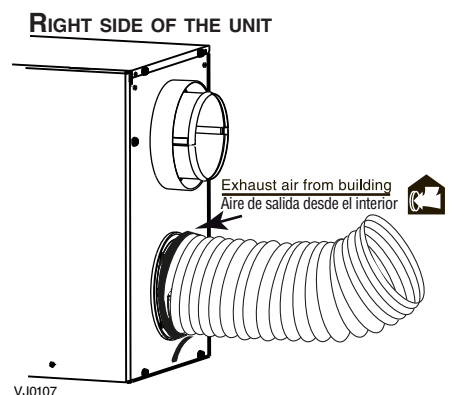
Each unit port has an identification label beside it to avoid wrong duct connections to the unit. Always refer to these labels before performing any duct and port connection.



HOW TO CONNECT THE FLEXIBLE DUCTS TO THE UNIT PORTS

Both flexible ducts attached to the diffusers must be connected to the bottom ports of the unit. When facing the unit door, the fresh air to building port is located on left side and the exhaust air from building port is on the right side. Refer to the identification labels affixed beside each unit ports. Using tie wrap, attach the fresh air to building duct to its corresponding port, then do the same for the exhaust air to building duct and port. See illustration at right.

NOTE: Use an insulated duct if the duct will have to go through a space where it is possible to experience extreme temperature conditions (eg: in northern area, unheated attic in winter or uncooled attic in southern area). Also, if you plan to stop the unit for more than 12 hours, we recommend to cover the duct with R12 insulation.



3. INSTALLATION (CONT'D)

3.5 INSTALLING NON-INSULATED DUCTS AND DIFFUSERS (CONT'D)

3.5.2 CENTRAL DRAW POINT (AS ILLUSTRATED IN SECTION 2.2)

Stale air exhaust ductwork

Same as for Fully Ducted System, described in step 3.5.1

Fresh air distribution ductwork

⚠ WARNING

When performing duct connections, always use approved tools and materials. Respect all corresponding laws and safety regulations. Please refer to your local building code.

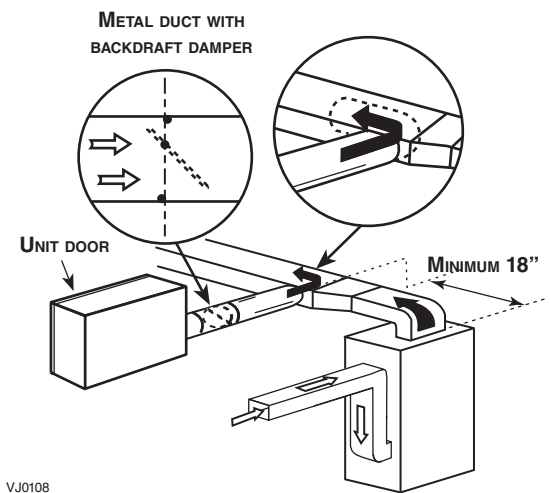
CAUTION

When performing connection to the furnace supply duct, this duct must be sized to support the additional air flow produced by the HRV/ERV. Also, use a metal duct with a backdraft damper to prevent the risk of overheating the HRV/ERV.

There are 2 methods for connecting the unit to the furnace:

Method 1: Supply side connection

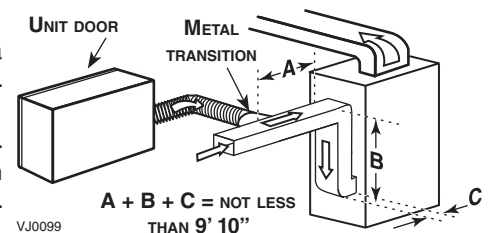
- Cut an opening into the furnace supply duct at least 18" from the furnace.
- Connect this opening to the fresh air distribution port of the HRV/ERV (use **metal duct**, see figure at right).
- Make sure that the HRV/ERV duct forms an elbow inside the furnace ductwork.
- If desired, interlock (synchronize) the furnace blower operation with the HRV/ERV operation (see Section 5).



VJ0108

Method 2: Return side connection

- Locate the opening for fresh air ductwork on the forced air unit return duct at a minimum linear distance of 9' 10" upstream (from forced air unit drop: **A+B+C**). Cut out a 5" Ø hole in this location, using metal shear.
- Use a metal transition to connect the unit duct to the forced air unit return duct.
- Attach the other end of the flexible duct to the Fresh air to building port (see icon on the left side of the unit). Use tie wrap and duct tape to seal the connection. See illustration at right.



VJ0099

3. INSTALLATION (CONT'D)

3.5 INSTALLING NON-INSULATED DUCTS AND DIFFUSERS (CONT'D)

3.5.3 SIMPLIFIED INSTALLATION (AS ILLUSTRATED IN SECTION 2.3)

Fresh air distribution ductwork (return side connection)

Same as for Central Draw Point, described in step 3.5.2

Stale air exhaust ductwork (return side connection)

⚠ WARNING

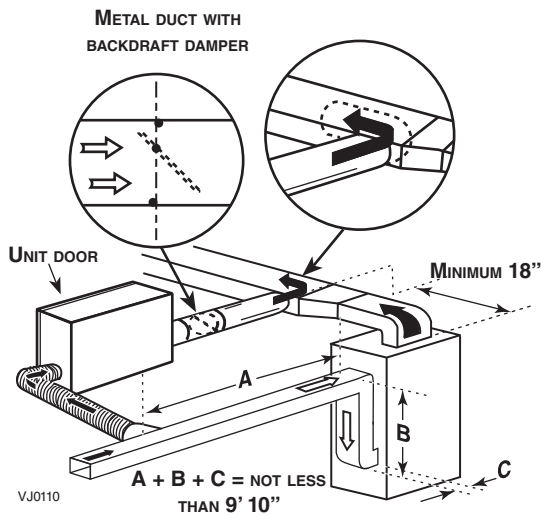
When performing duct connections, always use approved tools and materials. Respect all corresponding laws and safety regulations. Please refer to your local building code.

CAUTION

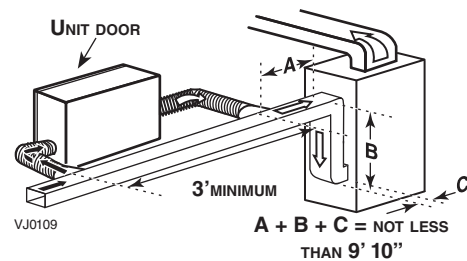
When performing connection to the furnace supply duct, this duct must be sized to support the additional air flow produced by the HRV/ERV. Also, use a metal duct with a backdraft damper to prevent the risk of overheating the HRV/ERV.

There are 2 methods for connecting the unit to the furnace:

Method 1: Return-supply connection



Method 2: Return-return connection



Stale air intake:

- Cut an opening into the furnace return duct not less than 9' 10" from forced air unit drop: (A+B+C).
- Connect this opening to the stale air intake port on the HRV/ERV as shown.

Fresh air distribution: (Same instruction as for Method 1 or Method 2, section 3.5.2)

For Method 2 (return-return), make sure there is a distance of at least 3 feet between both connections to the furnace.

CAUTION

If using Method 2, make sure the furnace blower operation is synchronized with the HRV/ERV operation! See Section 5.

NOTE: For Method 1, it is not essential to synchronize the furnace blower operation with the HRV/ERV operation, but we recommend it.

3. INSTALLATION (CONT'D)

3.6 INSTALLING INSULATED FLEXIBLE DUCTS

CAUTION

Make sure the vapor barrier on the insulated ducts does not tear during installation to avoid condensation within the ducts.

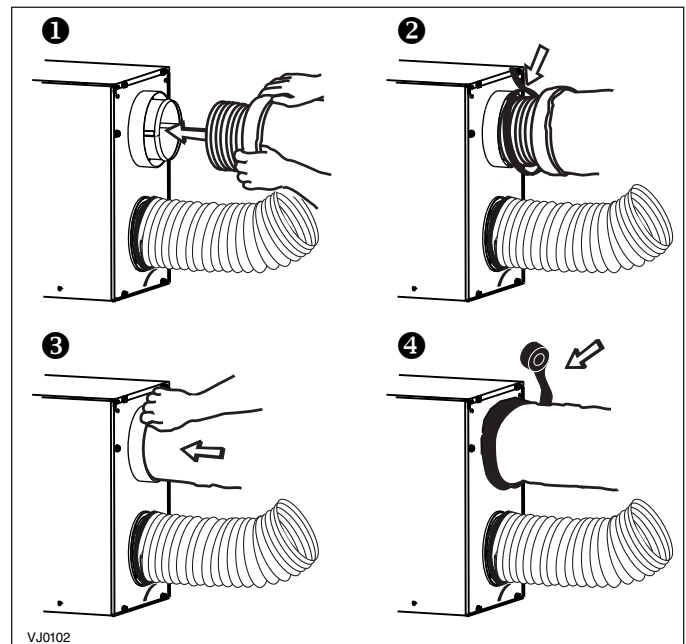
3.6.1 CONNECTION TO THE UNIT PORTS

Use the following procedure for connecting the insulated flexible ducts to the unit ports (Exhaust air to outside and Fresh air from outside). Refer to identification labels before performing any duct and port connection.

CAUTION

Avoid compressing the insulation when you pull the tape tightly around the joint. Compressed insulation loses its insulation properties and causes water dripping due to condensation on the exterior surface of the duct.

- 1 For both remaining ducts, pull back the insulation to expose the interior flexible duct.
- 2 Connect the interior flexible duct to the smaller part of the inner ring of the port using a tie wrap.
- 3 Pull the insulation over the joint and tuck it between the inner and outer rings of the port. Pull the vapor barrier over the insulation and over the outer ring of the port.
- 4 Apply duct tape gently to the joint in order to make an airtight seal. See figures at right.



3.6.2 LOCATING EXTERIOR PORTS

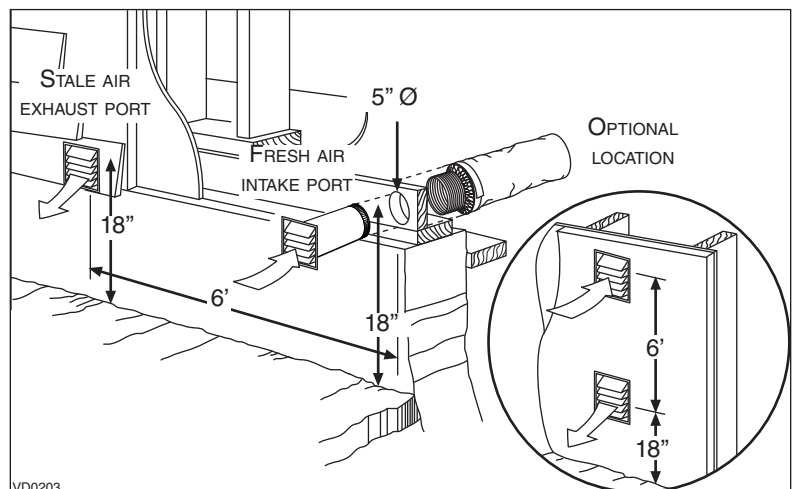
Choose an appropriate location for installing the exterior ports:

- There must be a minimum distance of 6' between the hoods to avoid cross-contamination
- There must be a minimum distance of 18" from the ground

⚠ WARNING

Make sure the fresh air intake port is located at least 6 feet away (or more, as per applicable building codes or standards) from sources of contamination such as:

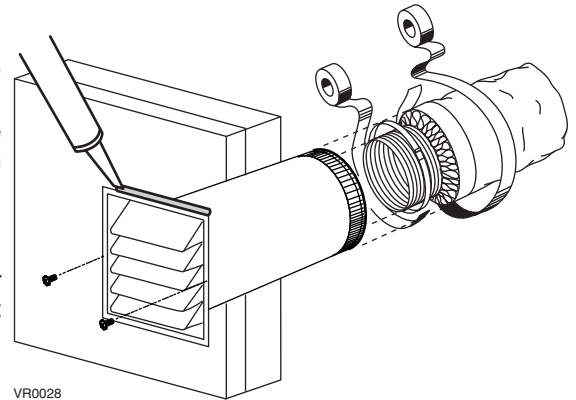
- **Dryer exhaust, high efficiency furnace vent, central vacuum vent**
- **Gas meter exhaust, gas barbecue grill**
- **Garbage bin**
- **Any exhaust from a combustion source.**



3. INSTALLATION (CONT'D)

3.7 CONNECTING INSULATED DUCTS TO EXTERIOR PORTS

- For each exterior port, using a jig saw, cut a 5" diameter hole in the exterior wall.
- From the outside, slide the exterior port in place and attach it to the exterior wall, using 2 no. 8 x 1½" provided screws. Seal the outline with silicone.
- From the inside, pull back the insulation to expose the flexible duct and, using a tie wrap, attach it to the exterior port rigid duct. Carefully seal with duct tape. Pull the insulation over the joint. Pull the vapor barrier over the insulation and over the joint. Apply gently duct tape to the joint making an airtight seal. See illustration at right.

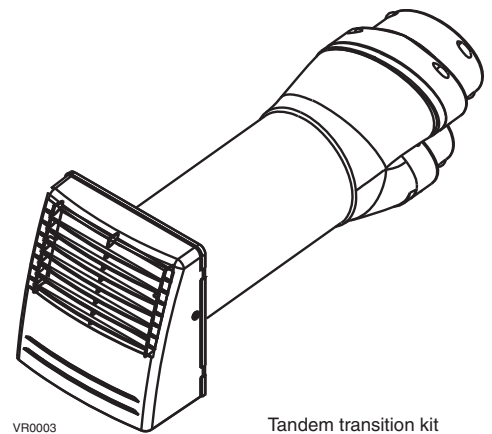


VR0028

3.8 INSTALLING TANDEM® TRANSITION* KIT

If desired, it is possible to perform insulated ducts connection with the outside using the Tandem transition kit (purchase separately, part number TYIK1). The joist opening needed to install the Tandem transition must be 9¾" minimum. The maximum height of the Tandem transition is 8¾". To connect the insulated flexible ducts to the Tandem transition (Exhaust air to outside and Fresh air from outside), follow the instructions included with the kit.

*Patented.



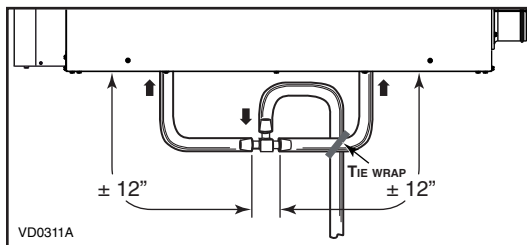
VR0003

Tandem transition kit

3.9 CONNECTING THE DRAIN

CAUTION

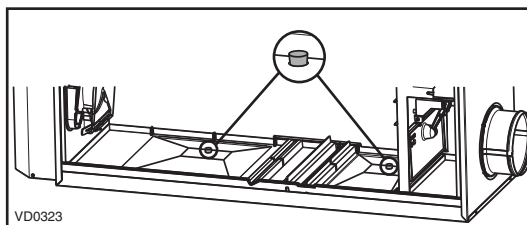
A drain tubing (included) must be installed for all HRV units. For ERV units, it is not required, however, it is recommended for climates where the outside temperature typically remains below -13°F, (over a 24-hour period) for several days in a row, combined with an indoor humidity of 40% or higher.



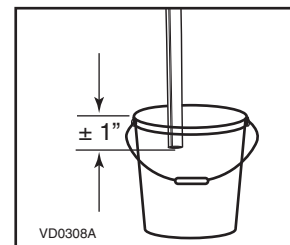
VD0311A

Cut two sections of plastic tubing, approximately 12" long, and connect each one to both inner drain fittings located under the unit as shown.

Join these both sections to the "T" junction and main tube as shown, to prevent the unit from drawing unpleasant odors from the drain source.



VD0323



VD0308A

Run the tube to the floor drain or to an alternative drain pipe or pail.

IMPORTANT

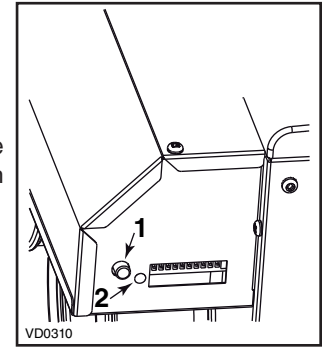
If using a pail to collect water, locate the tube end approximately 1" from the top of the pail in order to prevent water from being drawn back up into the unit.

- NOTES: 1. For ERV unit, remove both drain plugs inside the unit prior to install tubing.
2. ERV core and blower assembly removed from illustration to ease understanding.

4. CONTROLS

4.1 INTEGRATED CONTROL

These units are equipped with an integrated control located under the electrical compartment of the unit. Use the push button (1) to control the unit; the LED (2) will then show which mode the unit is in (see illustration at right).



Refer to table below to see how to operate the unit using its integrated control.

PRESS ON PUSH BUTTON	LED COLOR	RESULTS
ONCE	AMBER	UNIT IS ON LOW SPEED
TWICE	GREEN	UNIT IS ON HIGH SPEED
THREE TIMES	NO LIGHT	UNIT IS OFF

If a problem occurs during the unit operation, its integrated control LED (2) will blink. The color of the blinking light depends on the type of error detected. Refer to Section 9 Troubleshooting on last pages for further details.

NOTE: The integrated control **must be turned OFF** to use an optional main control.

4.2 BOOTING SEQUENCE

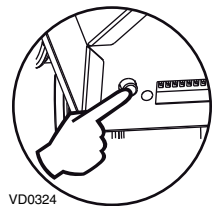
The unit booting sequence is similar to a personal computer boot sequence. Each time the unit is plugged after being unplugged, or after a power failure, the unit will perform a 30-second booting sequence before starting to operate.

During the booting sequence, the integrated defrost control LED will light AMBER for 5 seconds, and then will shut off for 2 seconds. After that, the LED will light RED for the rest of the booting sequence. During this RED light phase, the unit is checking and resetting the motorized damper position. Once the motorized damper position completely set, the RED light turns off and the booting sequence is done.

4.3 SETTING EXTENDED DEFROST

The unit is factory set to normal defrost. In cold region (outside temperature -17°F and lower), it may be necessary to setup extended defrost. During **the first 3 seconds of booting sequence**, while the integrated control LED is AMBER, press on push button for about 3 seconds. The LED will blink GREEN the number of times corresponding to the actual defrost mode of the unit.

NOTE: During setting extended defrost, while the push button is pressed, the LED will light RED to indicate the signal has been received.



Refer to table below to modify the defrost cycle of the unit. It is possible to change the selection as many times needed.

DEFROST CYCLE	PRESS ON PUSH BUTTON	LED BLINKS GREEN
1 NORMAL (HRV UNIT)	ONCE	1 TIME
2 EXTENDED (HRV UNIT)	TWICE	2 TIMES
3 NORMAL (ERV UNIT)	THREE TIMES	3 TIMES
4 EXTENDED (ERV UNIT)	FOUR TIMES	4 TIMES

To exit setting extended defrost, press 3 seconds on push button OR wait 60 seconds; the LED will blink and shut off, then light RED (the unit returns in its booting sequence).

4. CONTROLS (CONT'D)

4.4 ELECTRICAL CONNECTION TO WALL CONTROLS

For more convenience, this unit can also be controlled using an optional main wall control.

NOTES: 1. The integrated control must be turned OFF to use an optional main control.

2. If an optional auxiliary control is used, if activated, this auxiliary control will override the optional main control.

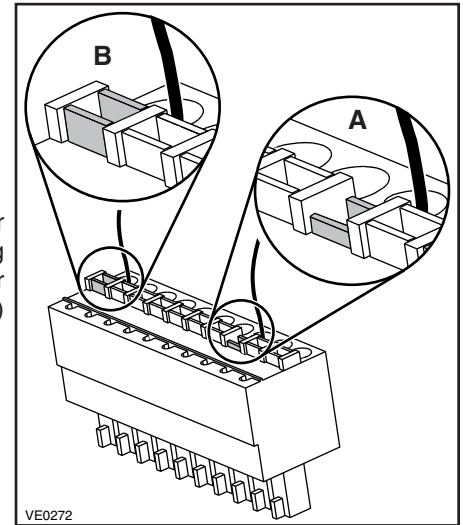
⚠ WARNING

Always disconnect the unit before making any connections. Failure in disconnecting power could result in electric shock or damage of the wall control or electronic module inside the unit.

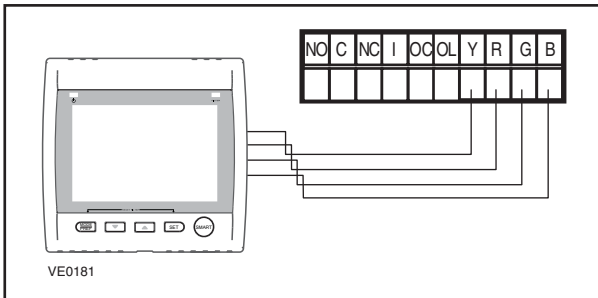
CAUTION

Never install more than one main wall control per unit. Make sure that the wires do not short-circuit between themselves or by touching any other components on the wall control. Avoid poor wiring connections. To reduce electrical interference (noise) potential, do not run wall control wiring next to control contactors or near light dimming circuits, electrical motors, dwelling/building power or lighting wiring, or power distribution panel.

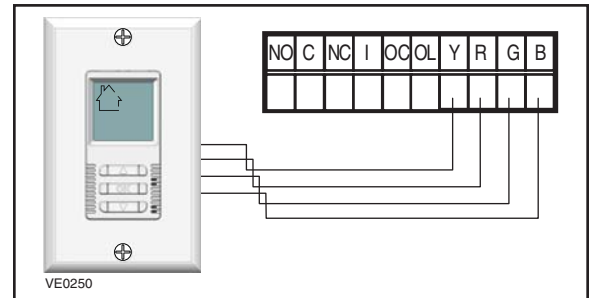
Use the terminal connector included in the installation kit to perform the electrical connection for main and optional wall controls. Check if all wires are correctly inserted in their corresponding holes in the terminal block. (A wire is correctly inserted when its orange receptacle is lower than another one without wire. On picture at right, wire **A** is correctly inserted, but not wire **B**.)



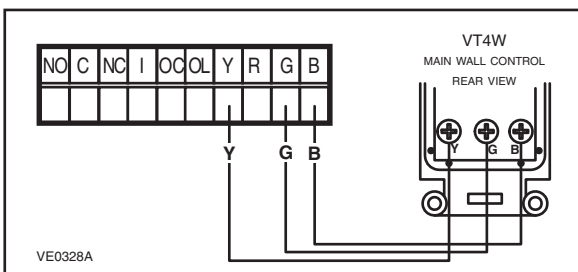
4.4.1 ELECTRICAL CONNECTION TO VT8W MAIN WALL CONTROL



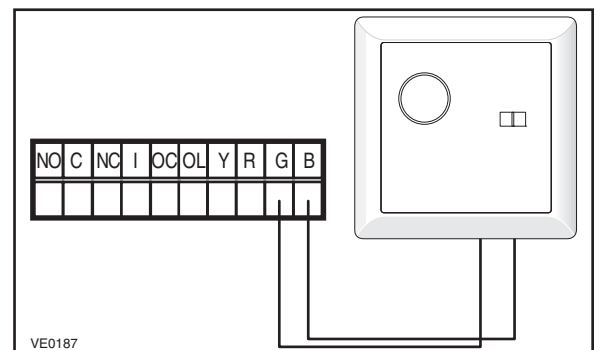
4.4.2 ELECTRICAL CONNECTION TO VT7W MAIN WALL CONTROL



4.4.3 ELECTRICAL CONNECTION TO VT4W MAIN WALL CONTROL



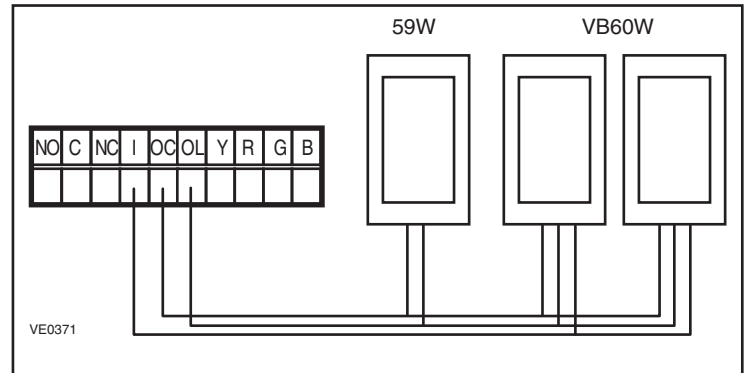
4.4.4 ELECTRICAL CONNECTION TO VT6W MAIN WALL CONTROL



4. CONTROLS (CONT'D)

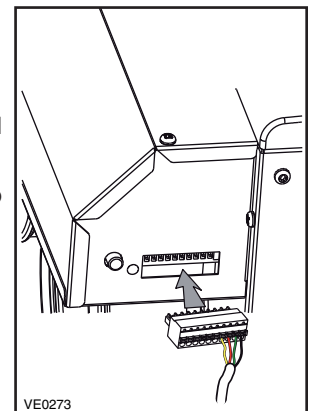
4.4 ELECTRICAL CONNECTION TO WALL CONTROLS (CONT'D)

4.4.5 ELECTRICAL CONNECTION TO OPTIONAL AUXILIARY WALL CONTROLS



Once the control(s) connections have been made, insert the terminal connector in the electrical compartment interface. Plug the unit.

NOTE: Refer to *Main and auxiliary wall control User Guide* (included with the ventilation unit and also available at www.broan.com) for information about the use of optional main and auxiliary wall controls.



5. ELECTRICAL CONNECTION TO THE FURNACE

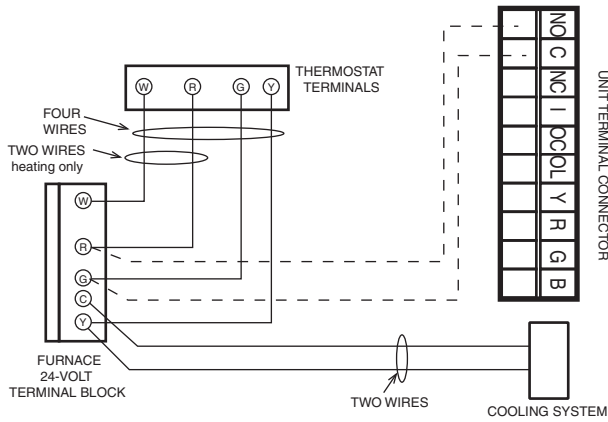
⚠ WARNING

Never connect a 120-volt AC circuit to the terminals of the furnace interlock (standard wiring). Use only the low voltage class 2 circuit of the furnace blower control.

For a furnace connected to a cooling system:

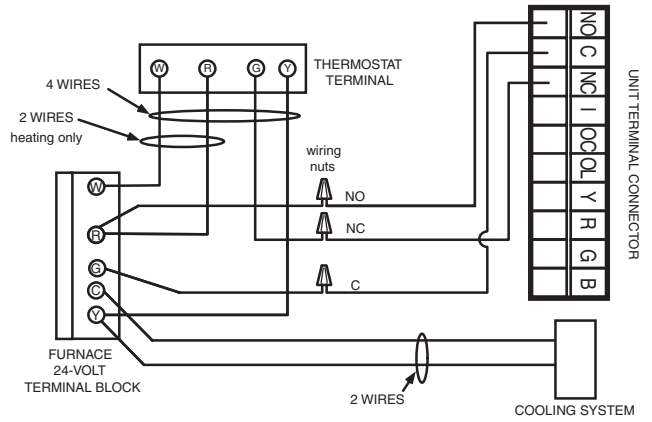
On some older thermostat, energizing the "R" and "G" terminals at the furnace has the effect of energizing "Y" terminal at the thermostat and thereby turning on the cooling system. If you identify this type of thermostat, you must use the ALTERNATE FURNACE INTERLOCK WIRING.

STANDARD FURNACE INTERLOCK WIRING



VE0108A

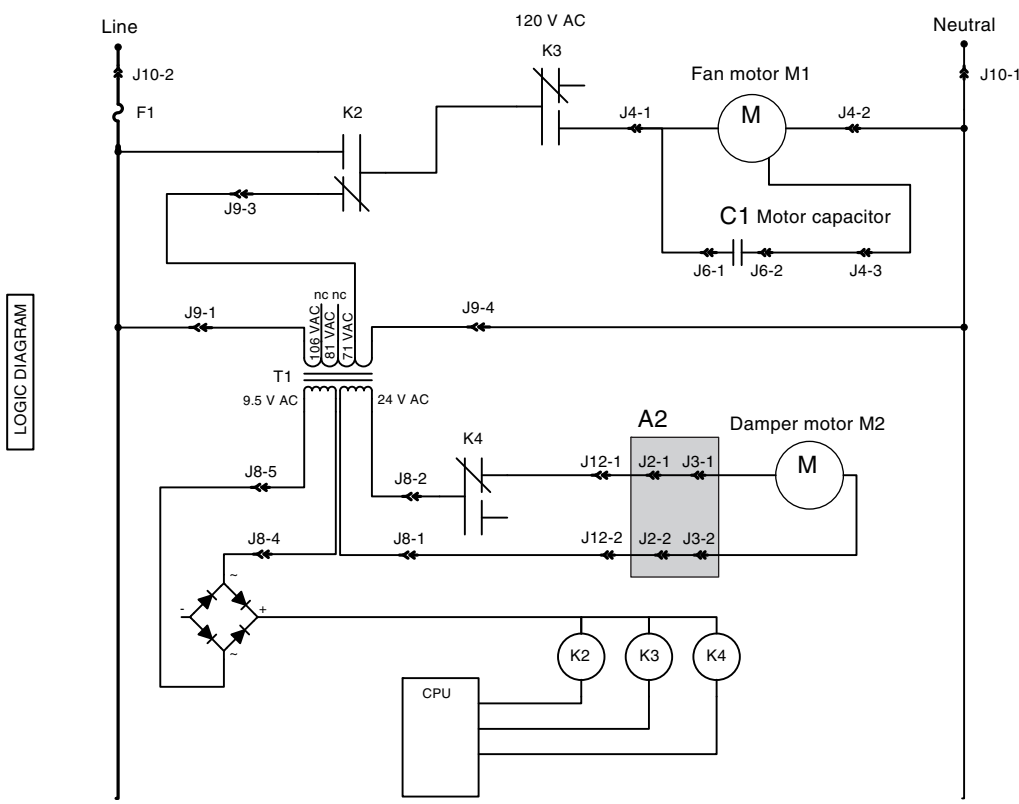
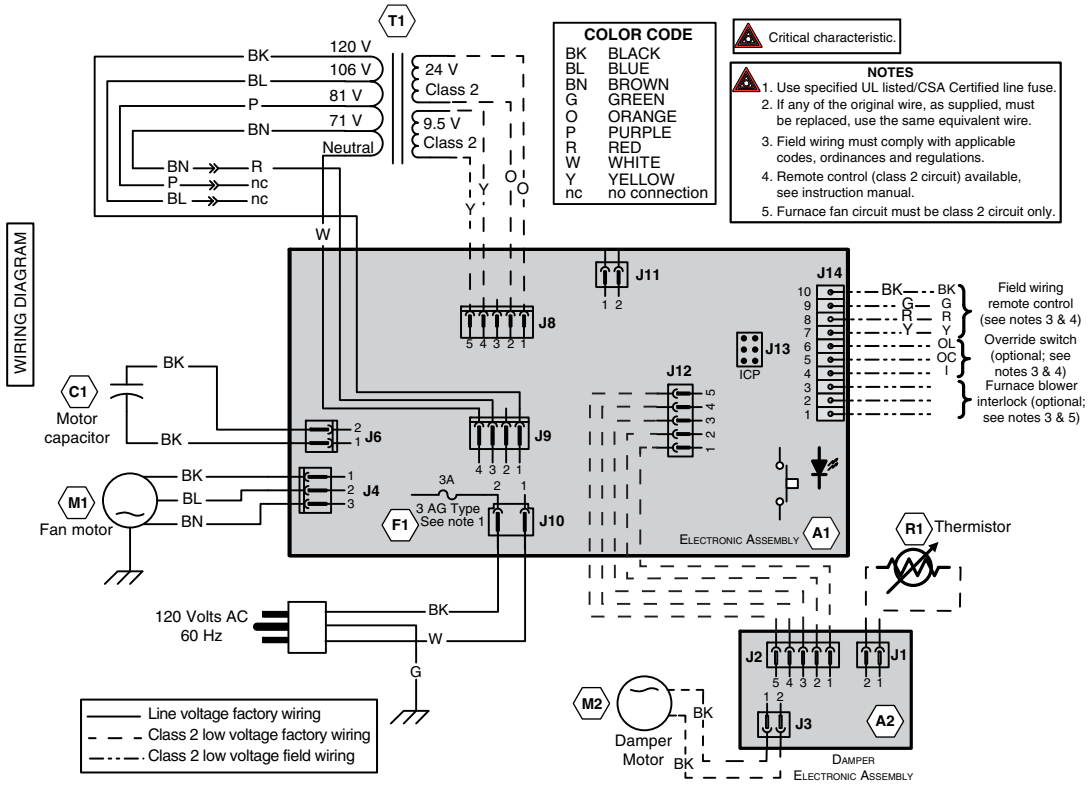
ALTERNATE FURNACE INTERLOCK WIRING



6. WIRING DIAGRAM

⚠ WARNING

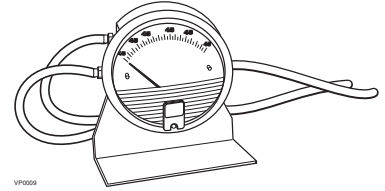
- Risk of electric shocks. Before performing any maintenance or servicing, always disconnect the unit from its power source.
- This product is equipped with an overload protection (fuse). A blown fuse indicates an overload or a short-circuit situation. If the fuse blows, unplug the product and check the polarity and voltage output from the outlet. Replace the fuse as per the servicing instructions (refer to wiring diagram for proper fuse rating) and verify the product. If the replaced fuse blows, it may be a short-circuit and the product must be discarded or returned to an authorized service center for examination and/or repair.



7. BALANCING THE UNIT

7.1 WHAT YOU NEED TO BALANCE THE UNIT

- A magnehelic gauge capable of measuring 0 to 0.5 inch of water (0 to 125 Pa) and 2 plastic tubes.
- The balancing chart located on the unit door.



7.2 PRELIMINARY STAGES TO BALANCE THE UNIT

- Seal all the unit ductwork with tape. Close all windows and doors.
- Turn off all exhaust devices such as range hood, dryer and bathroom fans.
- Make sure the balancing dampers are fully open.

NOTE: The **balancing dampers are NOT INCLUDED**; to be supplied by others. Install the balancing dampers in Fresh air to building duct and exhaust air from building duct (**A** and **B** on illustration below), at the more convenient place.

- Make sure all filters are clean (if it is not the first time you balance the unit).

7.3 BALANCING PROCEDURE

1. Set the unit to high speed.

Make sure that the furnace/air handler blower is ON if the installation is in any way connected to the ductwork of the cold air return. If not, leave furnace/air handler blower OFF. If the outside temperature is below 32°F, make sure the unit is not running in defrost while balancing. (By waiting 10 minutes after plugging the unit in, you are assured that the unit is not in a defrost cycle.)

2. Place the magnehelic gauge on a level surface and adjust it to zero.

3. Connect tubing from gauge to exhaust air flow pressure taps (see illustration at right).

Be sure to connect the tubes to their appropriate high/low fittings. If the gauge drops below zero, reverse the tubing connections.

NOTE: It is suggested to start with the exhaust air flow reading because the exhaust has typically more restriction than the fresh air, especially in cases of fully ducted installations or source point ventilation. Place the magnehelic gauge upright and level. Record equivalent air flow of the reading according to the balancing chart.

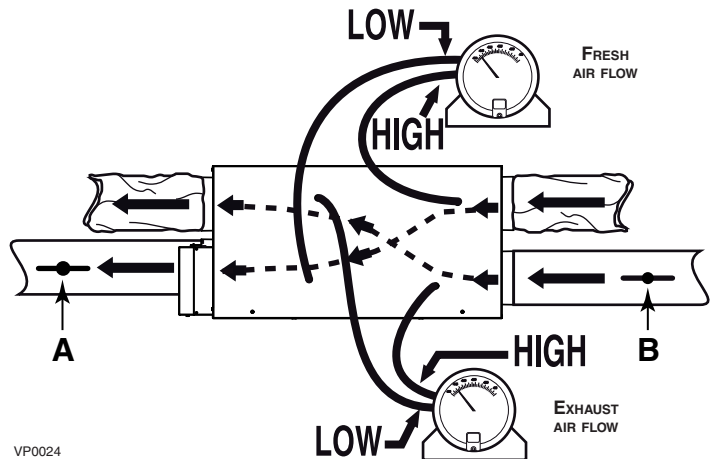
4. Move tubing to fresh air flow pressure taps (see diagram).

Adjust the fresh air balancing damper (**A**) until the fresh air flow is approximately the same as the exhaust air flow. If fresh air flow is less than exhaust air flow, then go back and adjust the exhaust balancing damper (**B**) to equal the fresh air flow.

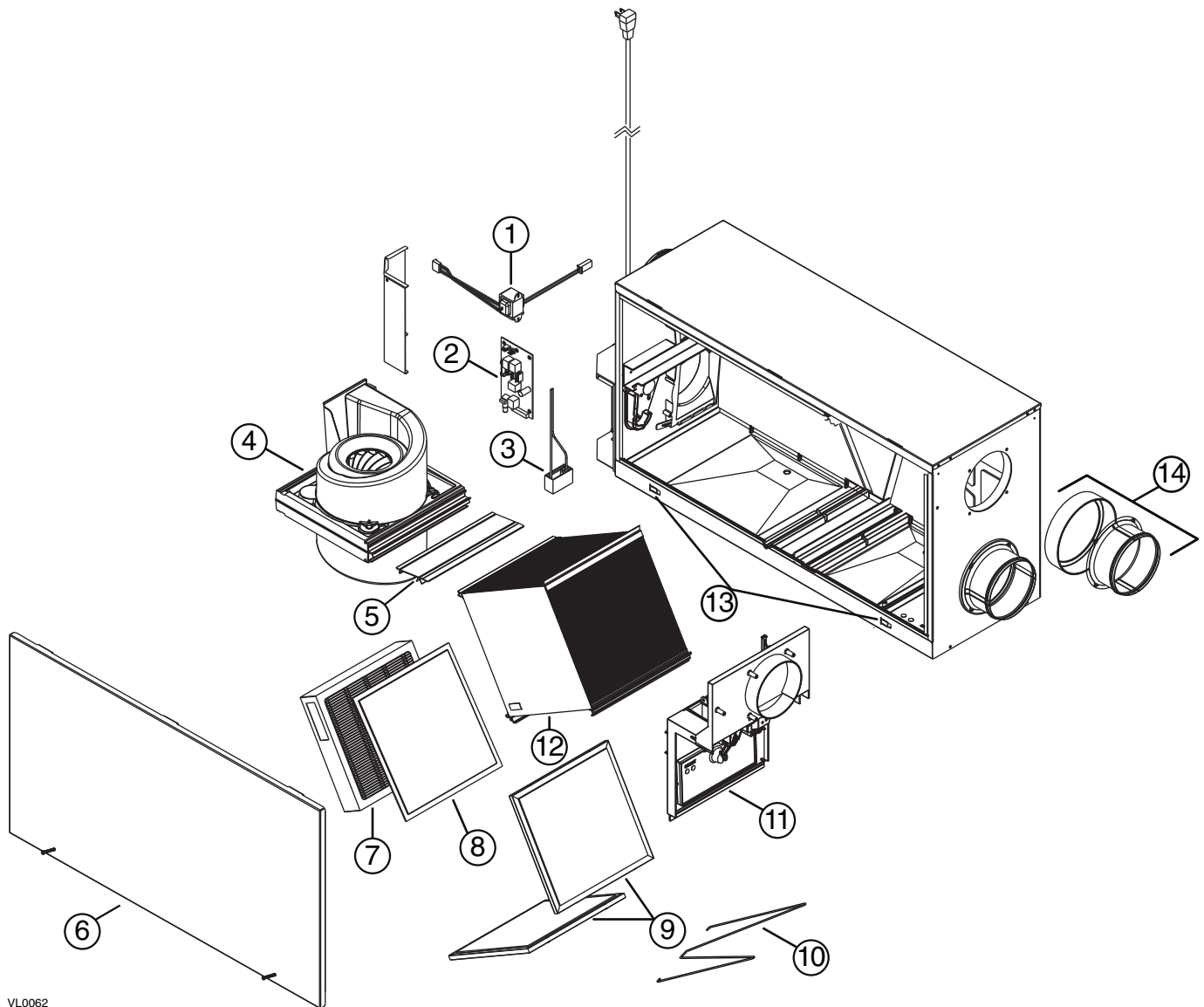
5. Secure both dampers in place with a fastening screw.

6. Write the required air flow information on a label and affix it near the unit for future reference (date, maximum speed air flows, your name, phone number and business address).

NOTE: The unit is considered balanced even if there is a difference of ± 10 cfm (or ± 5 l/s) between the two air flows.



8. SERVICE PARTS



VL0062

ITEM	DESCRIPTION	QTY.	HRVH100S	ERVH100S
1	TRANSFORMER	1	SV61545	SV61545
2	ELECTRONIC BOARD	1	SV61185	SV61184
3	CAPACITOR 6 μ F	1	SV61550	SV61550
4	BLOWER ASSEMBLY	1	SV61552	SV61552
5	CORE BRACKET	1	SV61553	SV61553
6	DOOR ASSEMBLY	1	SV63625	SV63625
7	HEPA FILTER KIT ¹	1	SV21293	SV21293
8	PREFILTER KIT FOR HEPA FILTER ²	1	SV61561	SV61561
9	CORE FILTER	2	SV61563	SV61562
10	BOTTOM FILTER RETAINING WIRE	1		SV61564
11	DAMPER SYSTEM ASSEMBLY	1	SV61565	SV61565
12	HEAT RECOVERY CORE	1	SV61567	
	ENERGY RECOVERY CORE	1		SV61410
13	BRACKET WITH RETAINING NUT	2	SV61411	SV61411
14	DOUBLE COLLAR PORT	2	SV61569	SV61569

¹ HEPA FILTER KIT INCLUDES 2 PREFILTERS.

² PREFILTER KIT INCLUDES 2 PREFILTERS.

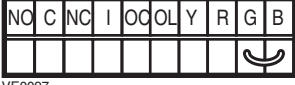
REPLACEMENT PARTS AND REPAIRS

In order to ensure your ventilation unit remains in good working condition, you must use Broan-NuTone LLC genuine replacement parts only. Broan-NuTone LLC genuine replacement parts are specially designed for each unit and are manufactured to comply with all the applicable certification standards and maintain a high standard of safety. Any third party replacement part used may cause serious damage and drastically reduce the performance level of your unit, which will result in premature failing. Broan-NuTone LLC recommends to contact a certified service depot for all replacement parts and repairs.


9. TROUBLESHOOTING

If the unit does not work properly, reset the unit by unplugging it for one minute and then replug it. If it is still not working properly, refer to table below.

LED COLOR	ERROR TYPE	ACTION	UNIT STATUS
LED flashes GREEN	Thermistor error	Replace thermistor	Unit works but will defrost frequently
LED flashes AMBER	Damper error	Go to point 5	Unit does not work

	PROBLEMS	POSSIBLE CAUSES	YOU SHOULD TRY THIS
1	The error code E1 is displayed on VT8W or VT7W wall control screen.	<ul style="list-style-type: none"> The wires may be in reverse position. The wires may be broken. The wires may have a bad connection. 	<ul style="list-style-type: none"> Ensure that the color coded wires have been connected to their appropriate places. Inspect every wire and replace any that is damaged. Ensure the wires are correctly connected.
2	There is no outside temperature displayed on VT8W wall control screen — — .	<ul style="list-style-type: none"> The unit thermistor is defective (the integrated control LED of the unit must flash GREEN). 	<p>NOTE: At its very start-up or after a power failure, it takes some minutes before the outside temperature appears on screen. The delay duration depends on which operation mode the wall control is set. The shortest delay is obtained when the wall control is set on MIN or MAX in VENT Mode.</p> <ul style="list-style-type: none"> Replace the unit thermistor.
3	VT8W or VT7W wall control screen alternates between normal display and E3.	<ul style="list-style-type: none"> The VT8W or VT7W wall control may be defective. 	<ul style="list-style-type: none"> Replace the VT8W or VT7W wall control.
4	Unit does not work.	<ul style="list-style-type: none"> The circuit board may be defective. The fuse may be defective. 	<ul style="list-style-type: none"> Unplug the unit. Disconnect the main control and the optional auxiliary control(s) (if need be). Jump G and B terminals. Plug the unit back and wait about 10 seconds. If the motors run on high speed and the damper opens, the circuit board is not defective. Check if fuse F1 is blown. In that case, replace fuse F1 as per product nameplate.  <p>VE0097</p>
5	The damper actuator does not work.	<ul style="list-style-type: none"> The damper actuator or the integrated damper mechanism may be defective. The circuit board or the transformer may be defective. 	<ul style="list-style-type: none"> Unplug the unit. Disconnect the main control and the optional controls(s) (if need be). Wait 10 seconds and plug the unit back. Check if the damper opens. If not, use a multimeter and check for 24 VAC on J12-1 and J12-2 (in electrical compartment). If there is 24 VAC, replace the entire damper assembly. NOTE: It is normal to experience a small delay (7-8 seconds) before detecting the 24 VAC signal at starting-up. This signal will stay during 17-18 seconds before disappearing. If there is no 24 VAC, check for 24 VAC between J8-1 and J8-2. If there is 24 VAC, replace the circuit board, and if there is no 24 VAC, change the transformer.
6	The wall control does not work.	<ul style="list-style-type: none"> The wires may be in reverse position. The wires may be broken. The wire in the wall OR the wall control may be defective. 	<ul style="list-style-type: none"> Ensure that the color coded wires have been connected to their appropriate places. Inspect every wire and replace any that are damaged. Remove the wall control and test it right beside the unit using another shorter wire. If the wall control works there, change the wire. If it does not, change the wall control.

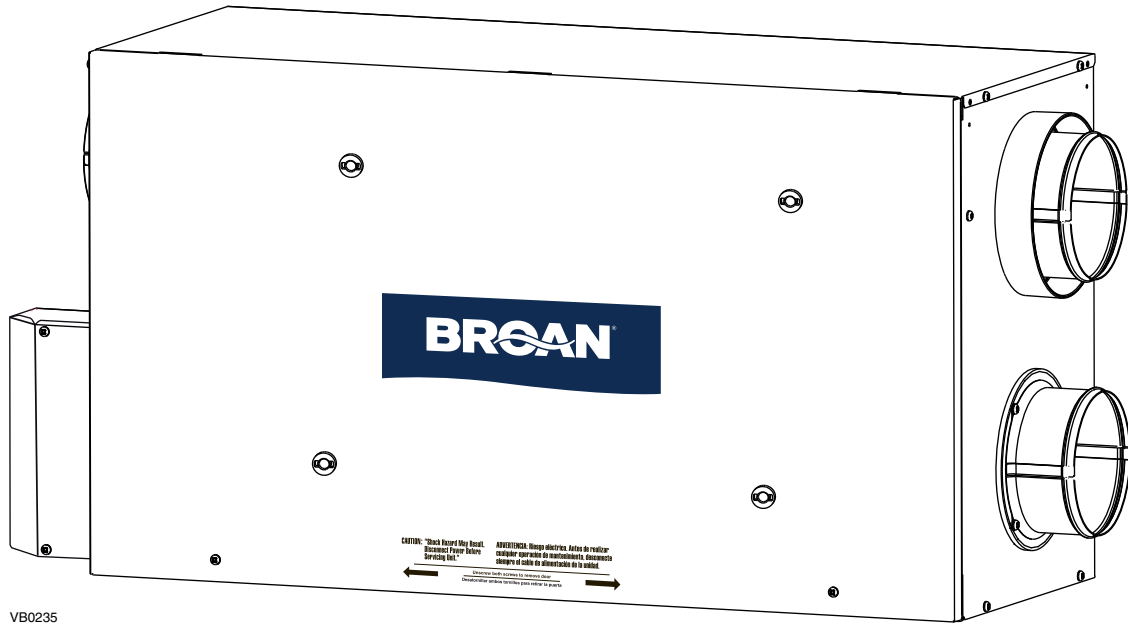
9. TROUBLESHOOTING (CONT'D)

	PROBLEMS	POSSIBLE CAUSES	YOU SHOULD TRY THIS
7	The VB60W push button timer does not work OR its indicator light does not stay on.	<ul style="list-style-type: none"> The wires may be in reverse position. The VB60W button may be defective. 	<ul style="list-style-type: none"> Ensure that the color coded wires have been connected to their appropriate places. Jump the OL and OC terminals. If the unit switch to high speed, remove the VB60W push button and test it right beside the unit using another shorter wire. If it works here, change the wire. If it doesn't, change the VB60W push button. 
8	The motor does not work.	<ul style="list-style-type: none"> The fuse may be defective. The motor may be defective. The motor or capacitor may be defective. 	<ul style="list-style-type: none"> Check if fuse F1 is blown. In that case, replace fuse F1 as per product nameplate. NOTE: Refer to Section 6 <i>Wiring diagram</i>. If the voltage reading is 120 VAC on J4, change the defective motor. Using a multimeter, check the ohms value on motor connector. For BLUE and BLACK motor wires, the right value is ± 43 ohms. For BLUE and BROWN motor wires, the right value is ± 48 ohms. For BROWN and BLACK motor wires, the right value is ± 91 ohms. If the ohms values are the same, the motor is not defective. Replace the motor capacitor.
9	The defrost cycle does not work (the fresh air duct is frozen) OR the fresh air distributed is very cold.	<ul style="list-style-type: none"> Ice deposits may be hindering the damper operation. The damper rod or the port damper itself may be broken. The damper actuator or circuit board may be defective. 	<ul style="list-style-type: none"> Remove the ice. Inspect these parts and replace if necessary. See point 5.
10	The integrated defrost control push button does not work.	<ul style="list-style-type: none"> The 30-second boot sequence is not completed. 	<ul style="list-style-type: none"> See Section 4.1 <i>Booting Sequence</i>.

If the problem is still not solved, call our Technical Support: 1-800-543-3055.

BROAN®

MANUAL DE INSTALACIÓN



MODELOS HRVH100S Y ERVH100S



Estos productos han sido distinguidos con el logotipo ENERGY STAR® al cumplir las directrices de eficiencia energética establecidas por el Ministerio de Recursos Naturales de Canadá y la Agencia Federal de Protección Ambiental (EPA) de Estados Unidos. Los productos cumplen las exigencias del programa ENERGY STAR únicamente cuando se emplean en Canadá.

⚠ SÓLO PARA USO RESIDENCIAL INTERIOR ⚠

LEA Y CONSERVE ESTAS INSTRUCCIONES

Broan-NuTone LLC; Hartford, Wisconsin www.broan.com 1-800-543-3055

REGISTRE SU PRODUCTO EN LÍNEA EN: www.broan.com/register

Para obtener más información, visitar nuestro sitio www.broan.com

ACERCA DE ESTE MANUAL

Con el fin de hacer hincapié en determinada información, en este manual se emplean los siguientes símbolos:

⚠ ADVERTENCIA

Se refiere a una instrucción que, de no seguirse, podría causar daños corporales e incluso la muerte.

PRECAUCIÓN

Se refiere a una instrucción que, de no seguirse, podría dañar gravemente el aparato o sus componentes.

NOTA: indica una información complementaria que es necesaria para completar totalmente una instrucción.

OBSERVACIONES SOBRE ESTOS APARATOS

LÍMITES

Sólo para instalaciones residenciales. El trabajo de instalación y el cableado eléctrico han de ser efectuados por personal cualificado conforme a todos los códigos y normas aplicables, incluso los relativos a lugares con alto riesgo de incendio.

⚠ ADVERTENCIA

PARA REDUCIR EL RIESGO DE INCENDIO, CHOQUE ELÉCTRICO O HERIDAS CORPORALES, SIGA LAS INDICACIONES SIGUIENTES:

1. Utilice el aparato únicamente de la manera prevista por el fabricante. Si tiene preguntas, póngase en contacto con el fabricante en la dirección o en el teléfono que aparecen en la garantía.
2. Le aconsejamos que un técnico especializado examine el aparato una vez al año.
3. Antes de realizar tareas de mantenimiento o de limpiar el aparato desenchufe el cable de alimentación de la toma eléctrica.
4. Este aparato no ha sido pensado para la combustión ni para el aire de dilución de aparatos que queman combustible.
5. Al cortar o taladrar en la pared o en el techo, procure no dañar el cableado eléctrico ni otras instalaciones ocultas.
6. No utilice este aparato con un dispositivo de control de velocidad con semiconductores distintos de los controles de pared opcionales principales y auxiliares siguiente:

Controles de pared opcionales principales	Controles de pared opcionales auxiliares
VT8W, VT7W, VT4W y VT6W	59W y VB60W

7. El aparato debe conectarse a tierra. El cable de alimentación lleva un enchufe con toma de tierra de 3 patillas para su seguridad personal. Debe enchufarse en una toma de corriente para tres patillas, conectada a tierra de acuerdo con el código eléctrico nacional y los códigos y ordenanzas locales. No retire la patilla de la toma de tierra. No utilice el aparato con un cable prolongador.
8. No instale el aparato en un espacio donde se cocina ni lo conecte directamente a otro aparato.
9. No lo use para evacuar materias ni vapores peligrosos o explosivos.
10. Para la instalación, el mantenimiento o la limpieza del aparato se aconseja llevar lentes y guantes de seguridad.
11. Dado el peso del aparato, se aconseja dos personas para la instalación.
12. Cuando la reglamentación local aplicable sea más restrictiva en materia de instalación o certificación, dicha reglamentación prevalecerá sobre las exigencias de este manual y el instalador acepta atenerse a dicha reglamentación y asumir los gastos correspondientes.

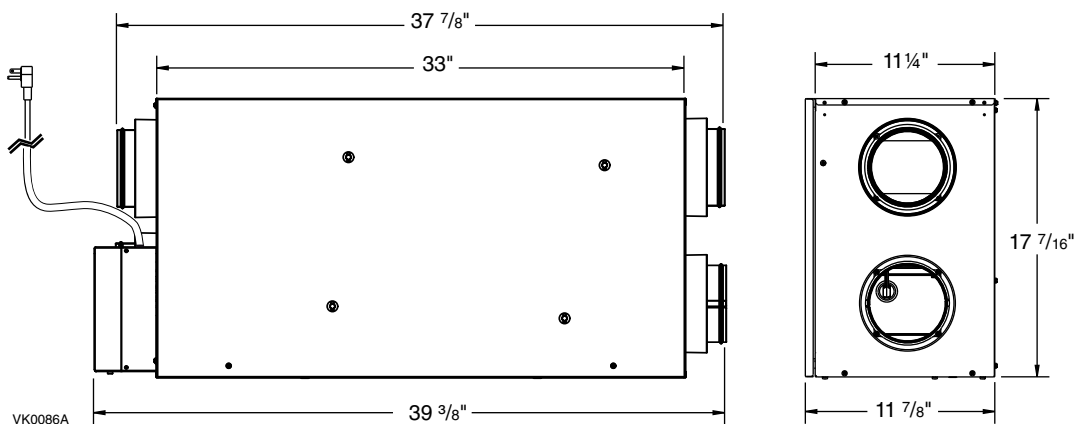
PRECAUCIÓN

1. Para evitar que los filtros se obstruyan prematuramente, apague el aparato durante las obras de construcción o renovación.
2. Para mayor información sobre otras exigencias, lea la etiqueta de especificaciones que viene en el aparato.
3. Conecte los tubos de aire con el exterior. No tome ni evacue el aire en espacios situados entre paredes, en el techo o en un desván, en sótanos pequeños ni en cocheras.
4. Aparato para instalación residencial únicamente, de acuerdo con las exigencias de la norma 90B de la NFPA.
5. No instale ningún tubo de aire directamente encima o a menos de 2 pies de un horno, de su cámara impelente, de una caldera o de otro aparato que genere calor. Si hay que conectar un tubo a la cámara de retorno de una caldera, debe situarse al menos a 9' y 10" de la conexión de la cámara con la caldera.
6. Los tubos deben instalarse de acuerdo con todos los códigos aplicables.
7. Al ausentarse de la vivienda durante un periodo largo (más de dos semanas), una persona responsable debería verificar regularmente si el aparato funciona correctamente.
8. Si los tubos pasan a través de un espacio no acondicionado (como un desván), el aparato debe funcionar constantemente, excepto cuando haya que hacer tareas de mantenimiento o reparaciones. Asimismo, la temperatura ambiente de la casa nunca debería bajar de 65°F.

ÍNDICE

1. DIMENSIONES	3
2. INSTALACIONES HABITUALES	4
2.1 SISTEMA TOTALMENTE EQUIPADO CON TUBOS	4
2.2 VENTILACIÓN EN EL PUNTO DE ORIGEN	4
2.3 INSTALACIÓN SIMPLIFICADA	4
3. INSTALACIÓN	5-11
3.1 INSPECCIÓN DEL CONTENIDO DE LA CAJA	5
3.2 HERRAMIENTAS Y MATERIAL	6
3.3 UBICACIÓN DEL APARATO	6
3.4 PLANIFICACIÓN DE LAS TUBERÍAS	6
3.5 INSTALACIÓN DE TUBOS Y DIFUSORES NO AISLADOS	7-9
3.5.1 SISTEMA TOTALMENTE EQUIPADO CON TUBOS	7
3.5.2 VENTILACIÓN EN EL PUNTO DE ORIGEN	8
3.5.3 INSTALACIÓN SIMPLIFICADA	9
3.6 INSTALACIÓN DE TUBOS FLEXIBLES AISLADOS	10
3.6.1 CONEXIÓN CON LAS BOCAS DEL APARATO	10
3.6.2 UBICACIÓN DE LAS BOCAS EXTERIORES	10
3.7 CONEXIÓN DE LOS TUBOS AISLADOS A LAS BOCAS EXTERIORES	11
3.8 INSTALACIÓN DEL CONJUNTO DE CAMBIO DE SECCIÓN TANDEM®	11
3.9 CONEXIÓN DEL DESAGÜE	11
4. CONTROLES	12-14
4.1 CONTROL INTEGRADO	12
4.2 SECUENCIA DE PUESTA EN MARCHA	12
4.3 CONFIGURACIÓN DE LA DESCONGELACIÓN AMPLIADA	12
4.4 CONEXIÓN ELÉCTRICA CON LOS CONTROLES DE PARED	13-14
4.4.1 CONEXIÓN ELÉCTRICA CON UN CONTROL DE PARED PRINCIPAL VT8W	13
4.4.2 CONEXIÓN ELÉCTRICA CON UN CONTROL DE PARED PRINCIPAL VT7W	13
4.4.3 CONEXIÓN ELÉCTRICA CON UN CONTROL DE PARED PRINCIPAL VT4W	13
4.4.4 CONEXIÓN ELÉCTRICA CON UN CONTROL DE PARED PRINCIPAL VT6W	13
4.4.5 CONEXIÓN ELÉCTRICA CON LOS CONTROLES DE PARED AUXILIARES OPCIONALES	14
5. CONEXIÓN ELÉCTRICA CON LA CALDERA	15
6. DIAGRAMA DE CABLEADOS	16
7. EQUILIBRADO DEL APARATO	17
8. PIEZAS DE RECAMBIO	18
9. SOLUCIÓN DE PROBLEMAS	19-20

1. DIMENSIONES



2. INSTALACIONES HABITUALES

Utilice las ilustraciones siguientes como referencia para elegir la forma de instalar el aparato.

Todos los aparatos deberían colgarse de vigas.

En todos los casos se podría utilizar ventiladores del cuarto de baño o una campana de cocina para sacar el aire viciado. Asimismo, en las viviendas de más de un nivel aconsejamos un registro de salida en el nivel superior.

Hay 3 métodos de instalación: sistema totalmente equipado con tubos, ventilación en el punto de origen e instalación simplificada.

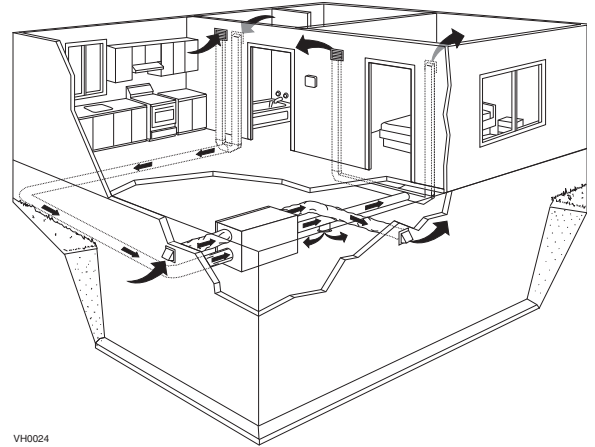
NOTA: ha de haber una toma eléctrica disponible a menos de 3 pies del aparato.

2.1 SISTEMA TOTALMENTE EQUIPADO CON TUBOS (PRICIPALMENTE PARA VIVIENDAS CON CALEFACCIÓN POR AGUA CALIENTE RADIANTE O POR RADIADORES ELÉCTRICOS)

El aire viciado proveniente del registro situado en el nivel superior de la vivienda se extrae al exterior. El aire fresco del exterior se filtra y se introduce por el registro situado en el nivel habitable inferior.

Las viviendas con más de un nivel necesitan al menos un registro de salida en el nivel superior.

Véase la ilustración de la derecha.



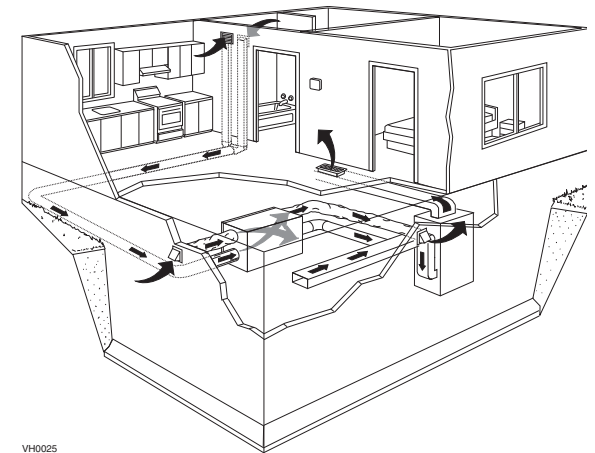
2.2 VENTILACIÓN EN EL PUNTO DE ORIGEN (CONEXIÓN CON UN SISTEMA DE AIRE FORZADO)

El aire viciado proveniente del registro situado en el nivel superior de la vivienda se extrae al exterior. El aire fresco del exterior se filtra y se introduce por el conducto de retorno (cámara) o de alimentación del aparato de aire forzado.

Véase la ilustración de la derecha.

Para este tipo de instalación no es esencial que el ventilador impelente del sistema de aire forzado funcione cuando el aparato esté funcionando, pero es aconsejable.

NOTA: las viviendas con varios sistemas de aire forzado deberían contar con un aparato para cada sistema.



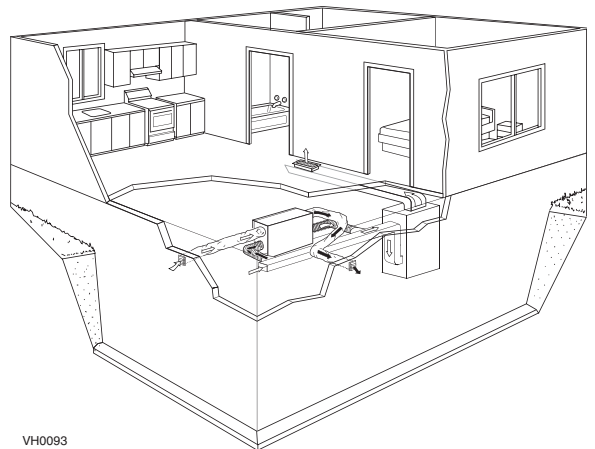
2.3 INSTALACIÓN SIMPLIFICADA (CONEXIÓN CON UN SISTEMA DE AIRE FORZADO)

El aire viciado se extrae al exterior. El aire fresco del exterior se filtra y se introduce por el conducto de retorno (cámara) o de alimentación del aparato de aire forzado.

Véase la ilustración de la derecha.

Para evitar la contaminación cruzada y lograr la máxima eficacia, el ventilador impelente del sistema de aire forzado debe estar encendido siempre.

NOTA: las viviendas con varios sistemas de aire forzado deberían contar con un aparato para cada sistema.



3. INSTALACIÓN

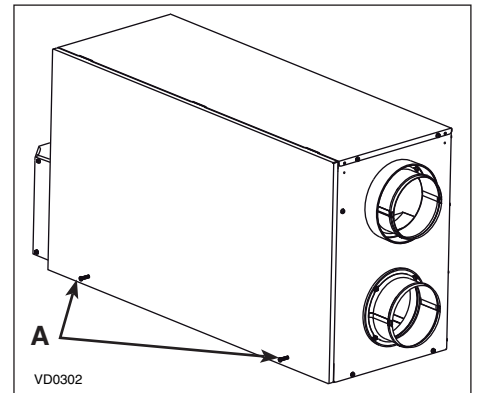
3.1 INSPECCIÓN DEL CONTENIDO DE LA CAJA

NOTA: antes de empezar con la instalación, verifique el contenido de la caja. Retire todo el material de embalaje del aparato

- Examine el exterior del aparato para ver si ha sufrido daños durante el transporte. Compruebe que la puerta, las bocas, el cable de alimentación, etc. no estén dañados

- Utilice un destornillador Phillips o Robertson para desatornillar los tornillos (A) de la puerta.

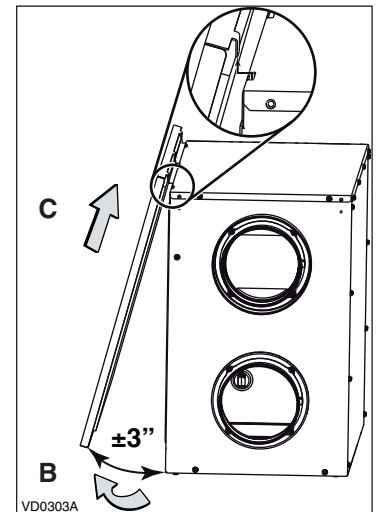
NOTA: los tornillos seguirán sujetos a la puerta.



- Abra (B) y levante (C) la puerta.

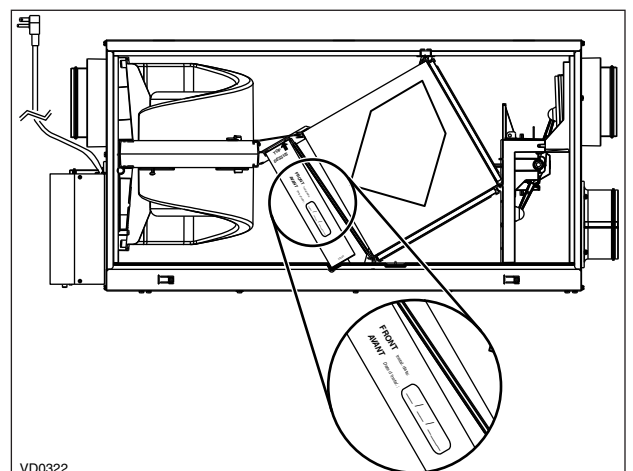
PRECAUCIÓN

Para que no se dañen los enganches de la puerta, no la abra completamente. Inclinela unas 3 pulgadas desde la base del aparato y levántela. Véase la ilustración de abajo.



- Retire la cinta de transporte del núcleo de recuperación de calor o energía del aparato.
- Examine el interior del aparato para ver si ha sufrido daños. Compruebe que el conjunto del ventilador, el núcleo de recuperación de calor o energía, los filtros del núcleo, el aislante, los registros, el prefiltro y el filtro HEPA, etc. estén intactos. Vuelva a instalar la puerta

NOTA: escriba la fecha de instalación en el marco del filtro HEPA para futuras consultas (véase la ilustración de la derecha).



3. INSTALACIÓN (CONTINUACIÓN)

3.2 HERRAMIENTAS Y MATERIAL

Estas son las herramientas y el material necesarios para la instalación:

- Destornillador Phillips n.º 2 o destornillador Robertson n.º 2
- Destornillador pequeño de punta plana (para conectar el control mural)
- Desforrador de hilos (para conectar el control mural)
- Martillo y destornillador de punta plana (sólo para la instalación de la conexión de la cámara, para hacer agujeros en el tubo metálico existente)
- Tijeras o cuchilla (para cortar la cinta adhesiva para tubos)
- Cinta métrica
- Cinta adhesiva para tubos
- Tijeras de hojalatero o cizalla (sólo para la instalación de la conexión de la cámara, para cortar tubos)
- Cinta adhesiva de aluminio para tubos (sólo para la instalación de la conexión de la cámara)
- Sierra de corte vertical
- Material sellante para calafateo y pistola para calafateo.

3.3 UBICACIÓN DEL APARATO

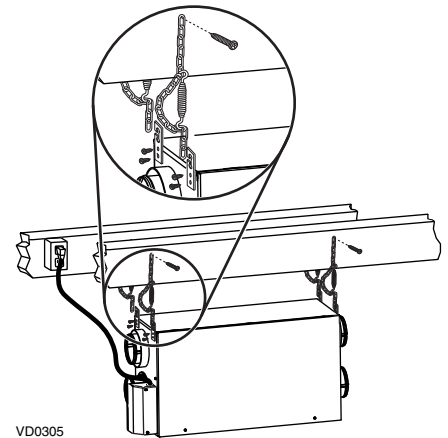
Elija la ubicación apropiada para el aparato.

- En una zona de la vivienda **donde la temperatura ambiente se mantenga entre 50°F y 104°F.**
- Lejos de las zonas habitables (comedor, sala de estar, dormitorio) de ser posible.
- El acceso al interior del aparato para tareas de mantenimiento debe ser fácil.
- Cerca de una pared exterior para limitar la longitud del tubo flexible aislado que sale del aparato o llega a él.
- Lejos de chimeneas calientes y otros lugares que presenten peligro de incendio.
- Prevea una fuente de alimentación (toma de corriente para enchufes de tres patillas con conexión a tierra).
- SÓLO PARA LOS APARATOS HRV: cerca de un desagüe. Si no hay desagüe cerca, utilice un balde para recoger los residuos líquidos.

Cuelgue el aparato con los cuatro ganchos, cadenas y muelles provistos. Vea la ilustración de la derecha.

PRECAUCIÓN

Procure que el aparato esté a nivel.



3.4 PLANIFICACIÓN DE LAS TUBERÍAS

- Evite complicaciones. Planifique la instalación de forma que haya el menor número posible de ángulos y juntas.
- Reduzca al mínimo la longitud de los tubos aislados.
- No ventile sótanos pequeños ni cámaras frigoríficas. No intente recuperar el aire de salida de una secadora o de una campana ya que podrían obstruirse los filtros y el módulo de recuperación.
- Si la vivienda tiene dos o más plantas, prevea al menos un registro de salida en el nivel habitable superior.

3. INSTALACIÓN (CONTINUACIÓN)

3.5 INSTALACIÓN DE TUBOS Y DIFUSORES NO AISLADOS

3.5.1 SISTEMA TOTALMENTE EQUIPADO CON TUBOS (ILUSTRACIÓN EN LA SECCIÓN 2.1)

⚠ ADVERTENCIA

No instale nunca un difusor de salida de aire viciado en una habitación cerrada en la que funcione un dispositivo de combustión, como un aparato de calefacción de gas, un calentador de agua de gas o una chimenea.

Tubos de salida de aire viciado

- Instale el difusor de salida de aire viciado en la zona donde se produzcan principalmente los contaminantes: cocina, sala de estar, etc. Sitúe el difusor lo más lejos posible de las escaleras de manera que el aire circule en todos los espacios habitables de la vivienda.
- Si se instala un difusor en la cocina, debe situarse al menos a 4 pies del aparato para cocinar.
- Instale el difusor a una distancia de 6 a 12 pulgadas del techo en una pared interior o en el techo.

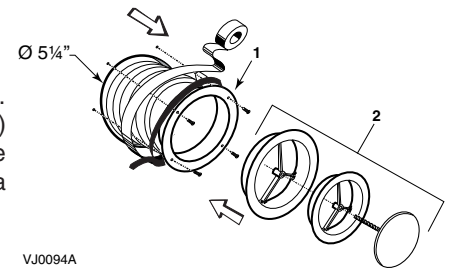
Tubos de distribución de aire fresco

- Instale el difusor de distribución de aire fresco en una zona amplia y abierta en el nivel más bajo para permitir la mayor circulación de aire posible.
- Tenga en cuenta que el difusor de aire fresco debe estar situado lo más lejos posible del difusor de aire viciado. Si desea, puede instalar otro difusor.
- Instale el difusor en el techo o a una distancia de 6 a 12 pulgadas del techo en una pared interior (el aire más frío cruzará la parte superior de la habitación y se mezclará con el aire de ésta antes de descender a la altura del ocupante).
- Si hay que instalar un registro en el suelo, dirija la circulación del aire hacia la pared.

CÓMO CONECTAR LOS TUBOS FLEXIBLES A LOS DIFUSORES

Una vez decidida la ubicación de los difusores, corte un agujero de 5/4" de diámetro. Pase un extremo del tubo flexible por el agujero y sujételo a la base del difusor (1) utilizando para ello una cinta de amarre y cinta adhesiva para tubos. Instale la base del difusor en la pared (o el techo) con los 4 tornillos 8 x 3/4". A continuación, ponga el difusor (2).

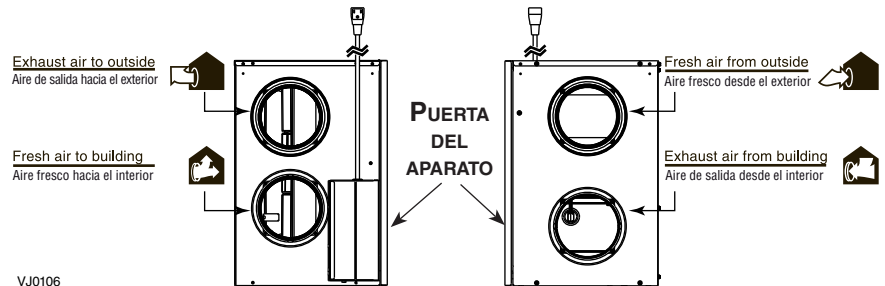
Vea la ilustración de la derecha.



VJ0094A

IDENTIFICACIÓN DE LAS BOCAS DEL APARATO

Cada boca del aparato tiene una etiqueta de identificación al lado para evitar conexiones erróneas. Consulte siempre las etiquetas antes de conectar cualquier tubo y boca.

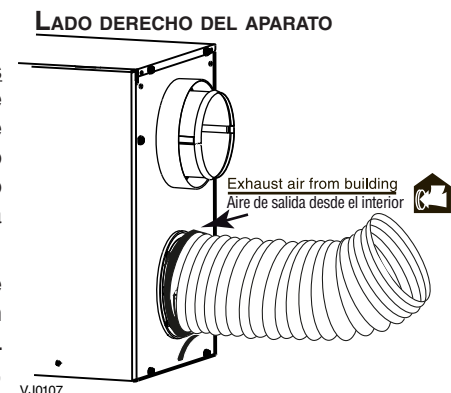


VJ0106

CÓMO CONECTAR LOS TUBOS FLEXIBLES A LAS BOCAS DEL APARATO

Los dos tubos flexibles conectados a los difusores deben conectarse a las bocas inferiores del aparato. Si se sitúa delante de la puerta del aparato, la boca de aire fresco hacia el interior es la que está a la izquierda y la boca de aire de salida desde el interior es la que está a la derecha. Utilice una cinta de amarre para sujetar el tubo de aire fresco hacia el interior a su boca correspondiente. A continuación, haga lo mismo con el tubo y la boca de aire de salida hacia el interior. Vea la ilustración de la derecha.

NOTA: use un tubo aislado si el tubo tiene que pasar por un espacio donde se pueden dar temperaturas extremas (en regiones nórdicas, en un desván sin calefacción en invierno o un desván no refrigerado en regiones cálidas). Asimismo, si prevé que el aparato no funcionará durante más de 12 horas, aconsejamos cubrir el tubo con aislante R12.



VJ0107

3. INSTALACIÓN (CONTINUACIÓN)

3.5 INSTALACIÓN DE TUBOS Y DIFUSORES NO AISLADOS (CONTINUACIÓN)

3.5.2 VENTILACIÓN EN EL PUNTO DE ORIGEN (ILUSTRACIÓN EN LA SECCIÓN 2.2)

Tubos de salida de aire viciado

Igual que para el sistema totalmente equipado con tubos descrito en la etapa 3.5.1

Tubos de distribución de aire fresco

⚠ ADVERTENCIA

Al conectar los tubos, use siempre herramientas y material aprobado. Cumpla con todas las leyes y reglamentos de seguridad correspondientes. Consulte el código de construcción local.

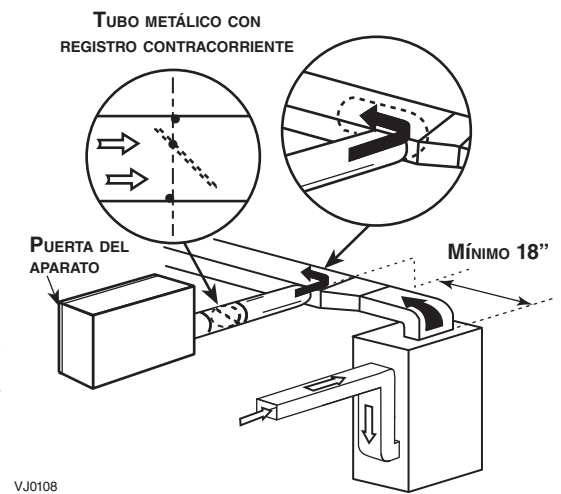
PRECAUCIÓN

Al conectar un tubo al tubo de alimentación de un aparato de aire forzado, el tamaño de este tubo debe adaptarse para soportar la corriente de aire adicional que produce el HRV o el ERV. Asimismo, use un tubo metálico con un registro contracorriente para evitar el riesgo de recalentamiento de los aparatos HRV/ERV.

Hay dos métodos para conectar el aparato a el aparato de aire forzado:

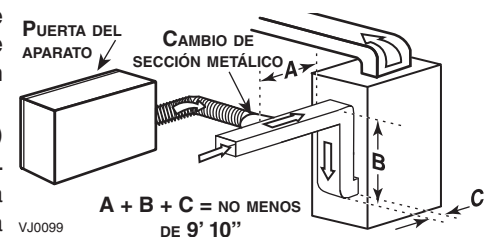
Método 1: Conexión por el lado de la alimentación

- Corte una apertura en el tubo de alimentación del aparato de aire forzado al menos a 18 pulgadas del aparato de aire forzado.
- Conecte esta apertura a la boca de Aire fresco hacia el interior del aparato HRV o ERV (use un **tubo metálico** vea la ilustración de la derecha).
- Compruebe que el tubo del aparato HRV o ERV forma un codo dentro del tubo del aparato de aire forzado.
- Si desea, interbloquee (sincronice) el funcionamiento del ventilador impelente del aparato de aire forzado con el funcionamiento del aparato HRV o ERV (véase la sección 5).



Método 2: Conexión por el lado de retorno

- Sitúe la abertura para el tubo de aire fresco en el tubo de retorno del aparato de aire forzado a una distancia en línea mínima de 9' 10" en sentido ascendente (desde el punto de descenso del aparato de aire forzado: **A+B+C**). Corte un agujero de 5" de diámetro en ese lugar con una cizalla.
- Utilice un cambio de sección metálico (no incluido; adquiéralo en una ferretería) para conectar el tubo del aparato al tubo de retorno del aparato de aire forzado.
- Sujete el otro extremo del tubo flexible a la boca de aire fresco hacia el interior (véase el icono en el lado izquierdo del aparato). Utilice una cinta de amarre y cinta adhesiva para tubos para sellar la conexión. Vea la ilustración de la derecha.



3. INSTALACIÓN (CONTINUACIÓN)

3.5 INSTALACIÓN DE TUBOS Y DIFUSORES NO AISLADOS (CONTINUACIÓN)

3.5.3 INSTALACIÓN SIMPLIFICADA (ILUSTRACIÓN EN LA SECCIÓN 2.3)

Tubo de distribución de aire fresco (conexión por el lado del retorno)

Igual que para la ventilación en el punto de origen descrita en la etapa 3.5.2.

Tubo de salida de aire viciado (conexión por el lado del retorno)

⚠ ADVERTENCIA

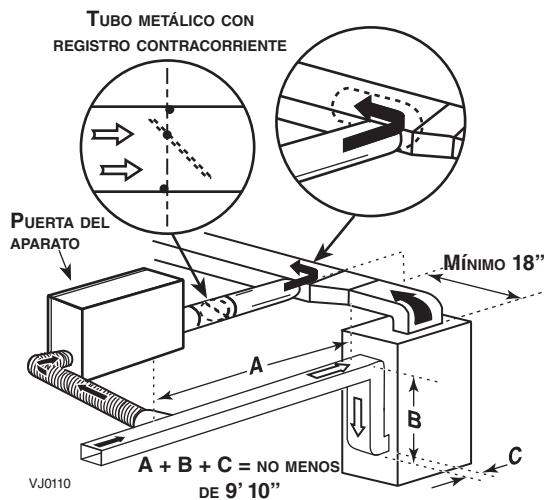
Al conectar los tubos, use siempre herramientas y material aprobado. Cumpla con todas las leyes y reglamentos de seguridad correspondientes. Consulte el código de construcción local.

PRECAUCIÓN

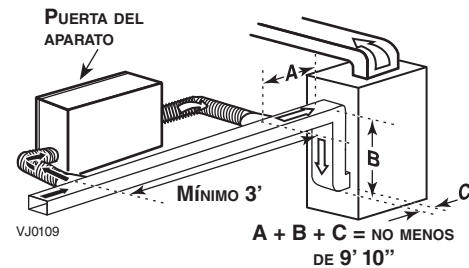
Al conectar un tubo al tubo de alimentación de un aparato de aire forzado, el tamaño de este tubo debe adaptarse para soportar la corriente de aire adicional que produce el HRV o el ERV. Asimismo, use un tubo metálico con un registro contracorriente para evitar el riesgo de recalentamiento de los aparatos HRV/ERV.

Hay dos métodos para conectar el aparato a el aparato de aire forzado:

Método 1: Conexión Retorno-alimentación



Método 2: Conexión Retorno-retorno



Admisión de aire viciado:

- Corte una apertura en el tubo de retorno del aparato de aire forzado a no menos de 9' 10" del aparato de aire forzado: **(A+B+C)**.
- Conecte esta apertura a la boca de aire de salida desde el interior del aparato HRV o ERV.

Distribución del aire puro: (las instrucciones son las mismas que para el método 1 o método 2, section 3.5.2)

Para el método 2 (retorno-retorno), compruebe que hay una distancia de al menos 3 pies entre las 2 conexiones con el aparato de aire forzado.

PRECAUCIÓN

¡ Si se utiliza el método 2, compruebe que el funcionamiento del ventilador impelente del aparato de aire forzado está sincronizado con el del aparato HRV o ERV! Véase la sección 5.

NOTA: Para el método 1, no es esencial sincronizar el funcionamiento del ventilador impelente del aparato de aire forzado con el aparato HRV o ERV, pero se aconseja.

3. INSTALACIÓN (CONTINUACIÓN)

3.6 INSTALACIÓN DE TUBOS FLEXIBLES AISLADOS

PRECAUCIÓN

Procure que la película impermeable al vapor de los tubos aislados no se rompa durante la instalación para evitar que se forme condensación en los tubos.

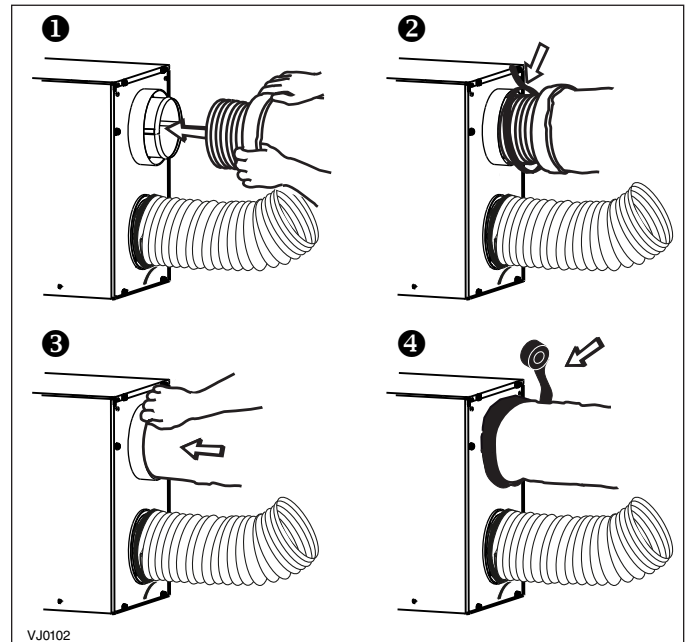
3.6.1 CONEXIÓN CON LAS BOCAS DEL APARATO

Siga este procedimiento para conectar los tubos flexibles aislados a las bocas del aparato (aire de salida hacia el exterior y aire fresco desde el exterior). Consulte las etiquetas de identificación antes de conectar cualquier tubo o boca.

PRECAUCIÓN

Evite comprimir el aislante al darle vueltas a la cinta adhesiva alrededor de la junta. El aislante comprimido pierde sus propiedades y hace que el agua gotee debido a la condensación en la superficie exterior del tubo.

- 1 Para ambos tubos restantes, retire el aislante para dejar expuesto el tubo flexible interior.
- 2 Conecte el tubo flexible interior a la parte más pequeña del anillo interior de la boca usando para ello una cinta de amarre.
- 3 Pase el aislante por encima de la junta y métalo entre el anillo interior y el exterior de la boca. Pase la película impermeable al vapor por encima del aislante y del anillo exterior de la boca.
- 4 Ponga cuidadosamente cinta adhesiva para tubos en la junta para hacer un cierre hermético. Véanse las ilustraciones de la derecha.



3.6.2 UBICACIÓN DE LAS BOCAS EXTERIORES

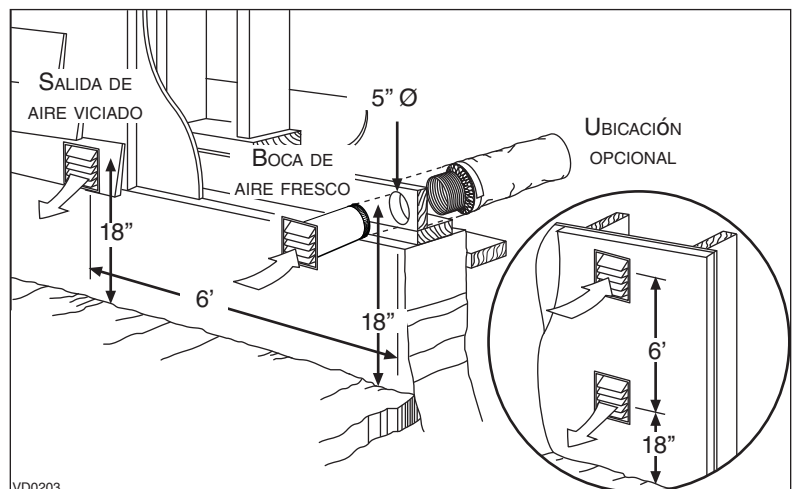
Elija un lugar apropiado para instalar las bocas exteriores:

- Debe haber una distancia mínima de 6' entre las bocas exteriores para evitar la contaminación cruzada
- Debe haber una distancia mínima de 18" desde el suelo

⚠ ADVERTENCIA

La boca de aire fresco debe estar, como mínimo, a una distancia de 6 pies (o más, según los códigos o normas de construcción aplicables) de fuentes de contaminación como:

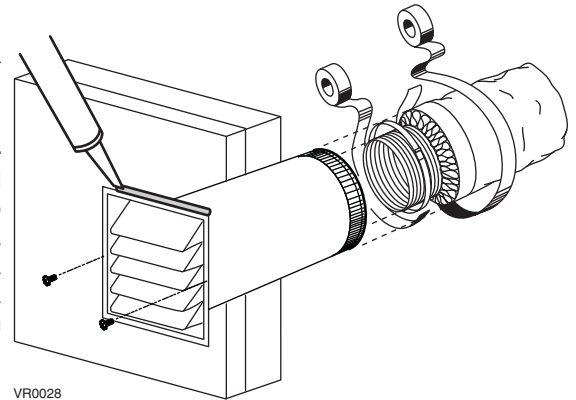
- Salida de secadora, de caldera de alto rendimiento, de aspirador central
- Salida de contador de gas, barbacoa de gas
- Cubo o contenedor de basura
- Cualquier salida de una fuente de combustión.



3. INSTALACIÓN (CONTINUACIÓN)

3.7 CONEXIÓN DE LOS TUBOS AISLADOS A LAS BOCAS EXTERIORES

- Corte un agujero de 5" de diámetro en la pared exterior para cada boca exterior. Utilice para ello una sierra de corte vertical.
- Desde fuera, coloque la boca exterior en su lugar y sujétela a la pared exterior con 2 tornillos n.º 8 x 1½" provistos. Selle el borde con silicona.
- Desde la parte interior retire el aislante para dejar al descubierto el tubo flexible y sujete éste al tubo rígido de la boca exterior por medio de una cinta de amarre. Obture la junta cuidadosamente con cinta adhesiva para tubos. Pase la película impermeable al vapor por encima del aislante y de la junta. Ponga cuidadosamente cinta adhesiva para tubos en la junta para hacer un cierre hermético. Véase la ilustración de la derecha.

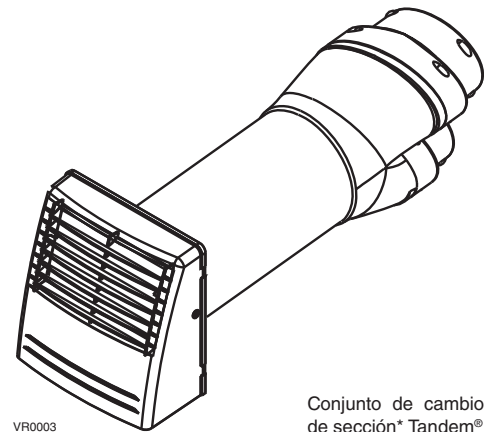


VR0028

3.8 INSTALACIÓN DEL CONJUNTO DE CAMBIO DE SECCIÓN* TANDEM®

Si se desea, puede realizarse la conexión de los tubos aislados con el exterior con el conjunto de cambio de sección Tandem (debe adquirirse aparte; n.º de pieza SV14690). La abertura de la viga necesaria para instalar el cambio de sección Tandem debe ser de 9¾" como mínimo. La altura máxima del cambio de sección Tandem es de 8¾". Para conectar los tubos flexibles aislados al cambio de sección Tandem (aire de salida hacia el exterior y aire fresco desde el exterior), siga las instrucciones que vienen con el conjunto de cambio de sección.

*Patentado.



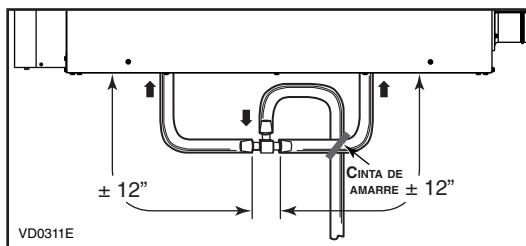
VR0003

Conjunto de cambio de sección* Tandem®

3.9 CONEXIÓN DEL DESAGÜE

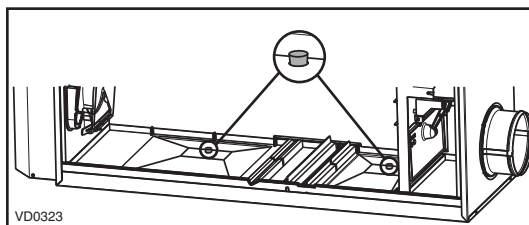
PRECAUCIÓN

Para todos los aparatos HRV debe instalarse un tubo de desagüe (incluido). Para los aparatos ERV no es necesario aunque se aconseja en climas en los que la temperatura exterior normalmente se sitúa por debajo de -13°F durante un periodo de 24 horas durante varios días seguidos y la humedad interior es del 40% o más.

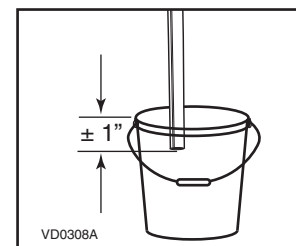


VD0311E

Corte dos secciones del tubo de plástico —de una longitud de 12" aproximadamente— y conecte cada una de ellas con los desagües interiores situados debajo del aparato como se ve en la ilustración. Una ambas secciones al empalme en "T" y al tubo principal, como se ve en la ilustración, para evitar que el aparato emita olores desagradables por el desagüe.



VD0323



VD0308A

Lleve el tubo al desagüe del suelo, a otro tubo de desagüe o a un balde.

IMPORTANTE

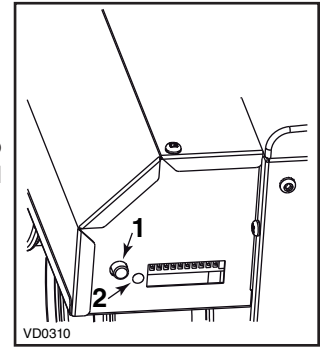
Si utiliza un balde para recoger el agua, sitúe el extremo del tubo a 1" aproximadamente de la parte superior del balde para evitar que el agua retroceda al aparato.

- NOTAS: 1. Para el aparato ERV, retire los tapones de desagüe que hay dentro del aparato antes de instalar los tubos.
2. El conjunto del núcleo y del ventilador del aparato ERV no aparece en la ilustración para que pueda comprenderse mejor.

4. CONTROLES

4.1 CONTROL INTEGRADO

Todos los aparatos están equipados con un control integrado situado debajo del compartimento eléctrico. Utilice el botón pulsador (1) para controlar el aparato. El diodo (2) le indicará el modo en el que funciona el aparato (véase la ilustración de la derecha).



Consulte la tabla siguiente para saber cómo funciona el aparato por medio del control integrado.

PRESIONE EL BÓTON PULSADOR	COLOR DEL DIODO	RESULTADOS
UNA VEZ	ÁMBAR	EL APARATO FUNCIONA A BAJA VELOCIDAD
DOS VECES	VERDE	EL APARATO FUNCIONA A ALTA VELOCIDAD
TRES VECES	SIN LUZ	EL APARATO ESTÁ APAGADO

Si se produjera un problema durante el funcionamiento del aparato, el diodo de control integrado (2) parpadeará. El color de la luz depende del tipo de error detectado. Para mayor información, consulte la sección 9. *Solución de problemas* en la última página.

NOTA: Al utilizar el control principal opcional, el **control integrado del aparato de estar apagado**.

4.2 SECUENCIA DE PUESTA EN MARCHA

La secuencia de puesta en marcha del aparato es similar a la de una computadora personal. Cada vez que se enchufa el aparato tras haberse desenchufado o tras una interrupción de la alimentación eléctrica, el aparato inicia la secuencia de puesta en marcha de unos 30 segundos antes de empezar a funcionar.

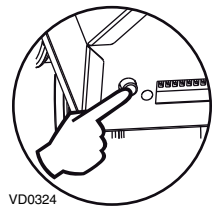
Durante la secuencia de puesta en marcha, el diodo electroluminiscente (LED) del control integrado se encenderá de color ÁMBAR durante 5 segundos y luego se apagará durante 2 segundos. A continuación, el diodo se encenderá en ROJO durante el resto de la secuencia de puesta en marcha. Mientras el diodo está en ROJO, el aparato verifica y reconfigura la posición del registro motorizado. Una vez establecida la posición del registro motorizado, el diodo ROJO se apaga para indicar que la secuencia de puesta en marcha ha terminado.

NOTA: el aparato no acepta ninguna instrucción hasta que se haya puesto en marcha totalmente.

4.3 CONFIGURACIÓN DE LA DESCONGELACIÓN AMPLIADA

La unidad está configurada de fábrica para un descongelado normal. En regiones frías (temperatura exterior -17°F e inferior), puede ser necesario configurar un descongelado extendido. Durante **los tres primeros segundos de la secuencia de puesta en marcha**, mientras el LED del control integrado está en ÁMBAR, presione el botón pulsador alrededor de tres segundos. El LED parpadeará de color VERDE el número de veces correspondientes al modo actual de descongelado de la unidad.

NOTA: Durante la configuración del descongelado extendido, mientras el botón es presionado, el LED se encenderá de color ROJO, para indicar que la señal ha sido recibida.



Consulte la siguiente tabla para modificar el ciclo de descongelado de la unidad. Es posible cambiar la selección tantas veces como sea necesario.

CICLO DE DESCONGELACIÓN	PRESIONE SOBRE EL BOTÓN	LED PARPADEARÁ VERDE
1 NORMAL (APARATO HRV)	UNA VEZ	1 VEZ
2 AMPLIADA (APARATO HRV)	DOS VECES	2 VECES
3 NORMAL (APARATO ERV)	TRES VECES	3 VECES
4 AMPLIADA (APARATO ERV)	CUATRO VECES	4 VECES

Para salir de la configuración del descongelado extendido, presione 3 segundos sobre el botón O espere 60 segundos ; el LED parpadeará y se apagará, entonces se encenderá de color ROJO (la unidad regresa en su secuencia de puesta en marcha).

4. CONTROLES (CONTINUACIÓN)

4.3 CONEXIÓN ELÉCTRICA CON LOS CONTROLES DE PARED

Para mayor comodidad, este aparato también puede controlarse mediante un control de pared principal opcional.

NOTAS: 1. Al utilizar el control principal opcional, el control integrado del aparato de estar apagado.

2. Si se está utilizando un control auxiliar opcional (cuando está activado), el mando de control auxiliar prevalece sobre el control principal opcional.

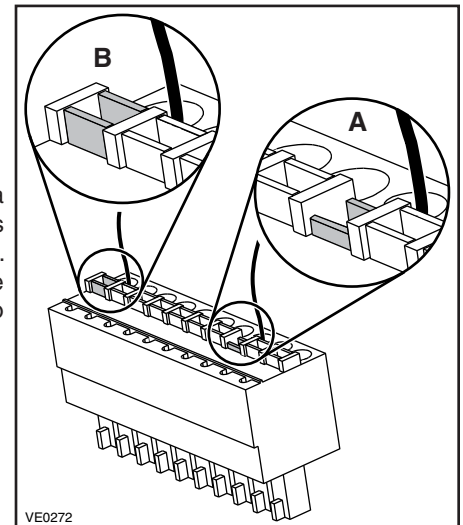
⚠ ADVERTENCIA

Desconecte siempre el aparato antes de efectuar cualquier conexión. De no desconectar la alimentación, podría producirse un choque eléctrico o dañarse el control mural o el módulo electrónico dentro del aparato.

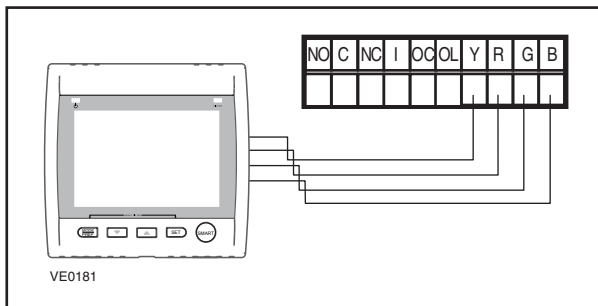
PRECAUCIÓN

No instale nunca más de un control de pared principal por aparato. Compruebe que los cables no hagan cortocircuito entre ellos o tocando otros componentes del control de pared. Evite las malas conexiones de los cables. Para reducir la interferencia eléctrica (ruido) potencial, no pase los cables del control de pared cerca de los contactores de control ni de circuitos de atenuación de la luz, motores eléctricos, alimentación de viviendas o edificios, cables de iluminación o tableros de distribución de energía.

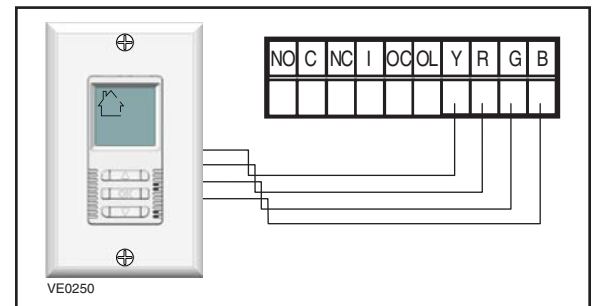
Use el conector de terminales incluido en el conjunto para la instalación para realizar la conexión eléctrica del control mural principal y de los controles opcionales. Verifique si todos los hilos han sido introducidos en los orificios correspondientes en el bloque de terminales. (Un hilo está introducido correctamente cuando su receptáculo naranja está más bajo que otro sin hilo. En la ilustración de la derecha, el hilo **A** ha sido introducido correctamente, pero no el **B**



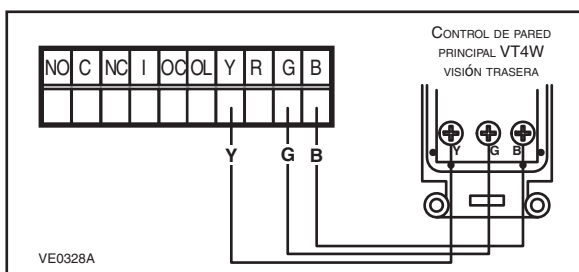
4.3.1 CONEXIÓN ELÉCTRICA CON UN CONTROL DE PARED PRINCIPAL VT8W



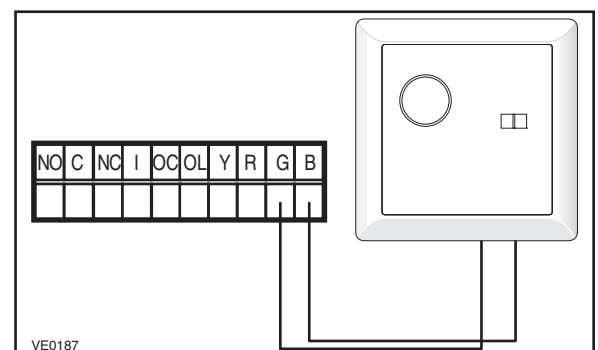
4.3.2 CONEXIÓN ELÉCTRICA CON UN CONTROL DE PARED PRINCIPAL VT7W



4.3.3 CONEXIÓN ELÉCTRICA CON UN CONTROL DE PARED PRINCIPAL VT4W



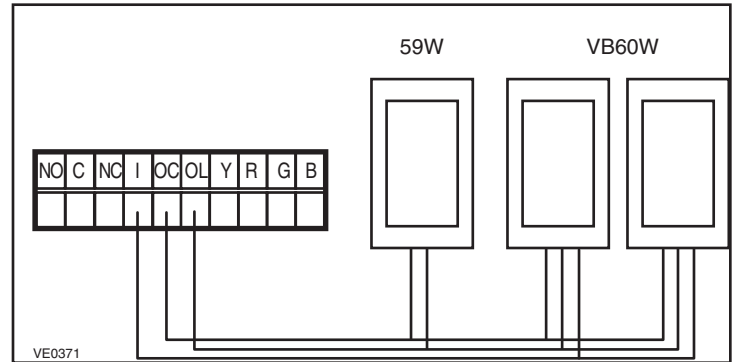
4.3.4 CONEXIÓN ELÉCTRICA CON UN CONTROL DE PARED PRINCIPAL VT6W



4. CONTROLES (CONTINUACIÓN)

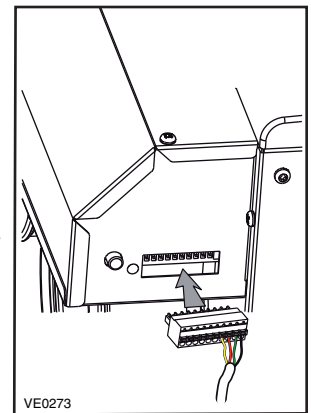
4.3 CONEXIÓN ELÉCTRICA CON LOS CONTROLES DE PARED OPCIONALES (CONTINUACIÓN)

4.3.5 CONEXIÓN ELÉCTRICA CON CONTROLES DE PARED AUXILIARES OPCIONALES



Una vez conectado el control o controles, introduzca el conector de terminales en la interfaz del compartimento eléctrico. Enchufe el aparato.

NOTA: Consulte el *Main and auxiliary wall control User Guide* (en inglés solamente, incluido con la unidad de ventilación y también disponible en www.broan.com).



5. CONEXIÓN ELÉCTRICA CON LA CALDERA

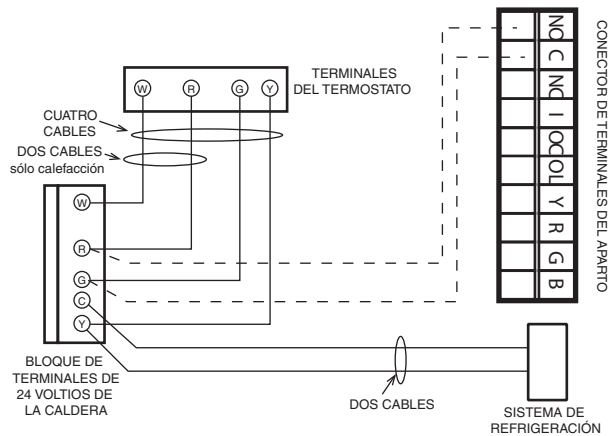
⚠ ADVERTENCIA

No conecte nunca un circuito de corriente alterna de 120 voltios a los terminales del interbloqueo de la caldera (cableado estándar). Utilice sólo el circuito de clase 2 de bajo voltaje del control del ventilador impelente de la caldera.

PARA UNA CALDERA CONECTADA A UN SISTEMA DE REFRIGERACIÓN:

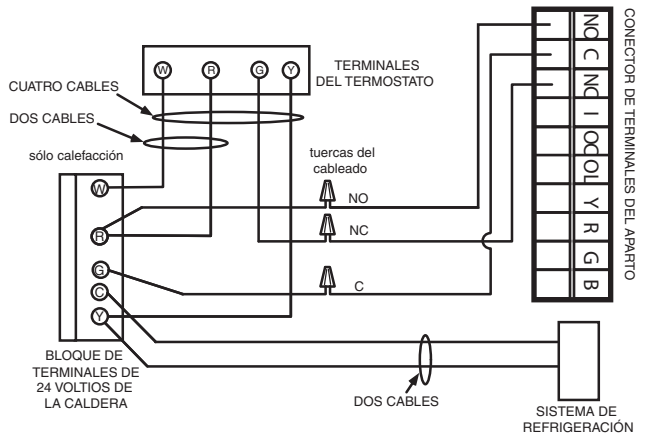
En algunos termostatos más antiguos, si se activan los terminales «R» y «G» en la caldera, se activaría también el terminal «Y» en el termostato y se pondría en marcha el sistema de refrigeración. Si reconoce este tipo de termostato, utilice el CABLEO DE INTERBLOQUEO ALTERNATIVO DE LA CALDERA.

CABLEADO DE INTERBLOQUEO ESTÁNDAR DE LA CALDERA



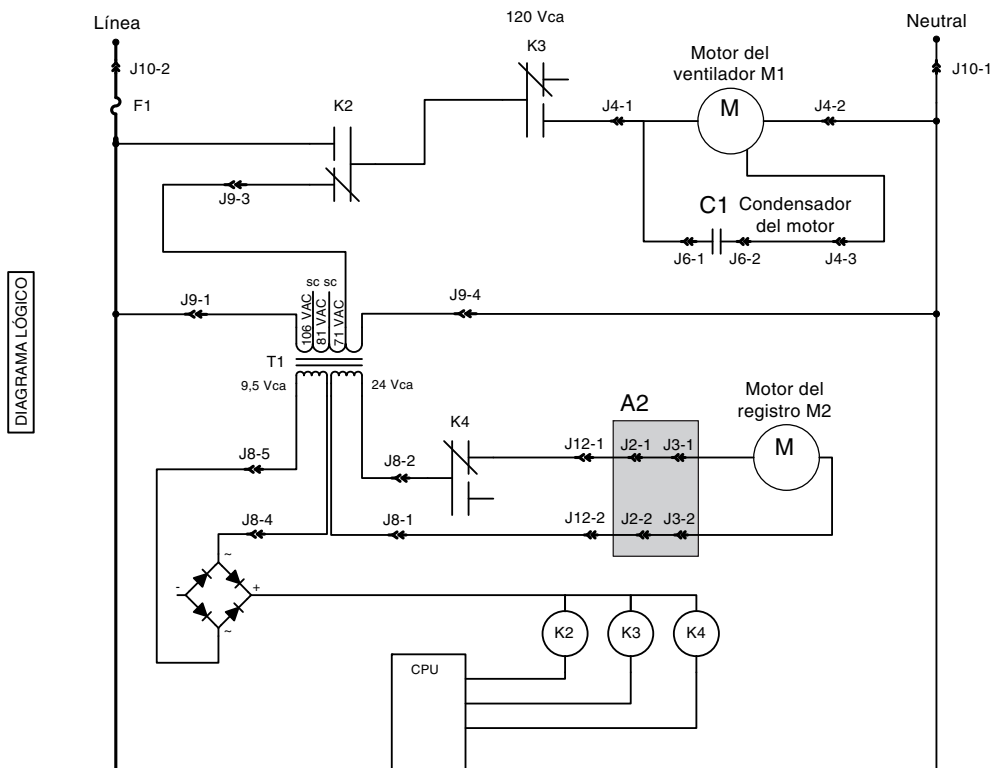
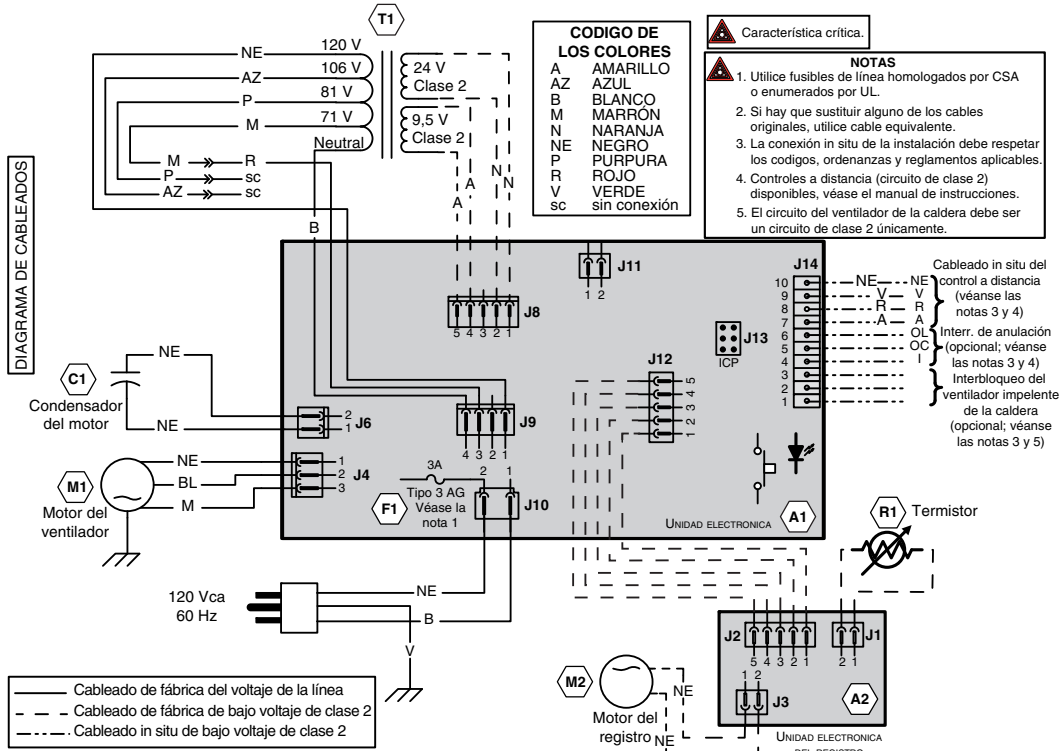
VE0108E

CABLEADO DE INTERBLOQUEO ALTERNATIVO DE LA CALDERA



⚠ ADVERTENCIA

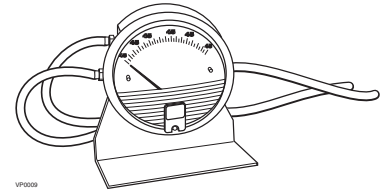
- Riesgo de choque eléctrico. Antes de realizar cualquier tarea de mantenimiento o reparación, desconecte siempre la fuente de alimentación.
- El aparato está equipado con una protección contra la sobrecarga (fusible). Un fusible quemado indica que se ha producido una sobrecarga o cortocircuito. Si el fusible se quema, desenchufe el aparato y verifique la polaridad y el voltaje en la toma. Sustituya el fusible conforme a las instrucciones de mantenimiento (consulte el diagrama del cableado para conocer el valor nominal del fusible) y verifique el aparato. Si el nuevo fusible se quema también, puede tratarse de un cortocircuito. Deje de utilizar el aparato y envíelo a un centro de servicio autorizado para que lo examinen o reparen.



7. EQUILIBRADO DEL APARATO

7.1 ELEMENTOS NECESARIOS PARA EQUILIBRAR EL APARATO

- Un caudalímetro de hélice capaz de medir de 0 pulgada a 0,5 pulgadas de agua (0 Pa a 125 Pa) y 2 tubos de plástico.
- El diagrama de equilibrado situado en la puerta de aparato.



7.2 ETAPAS PRELIMINARES PARA EQUILIBRAR EL APARATO

- Obture todos los tubos del aparato con cinta. Cierre todas las ventanas y puertas.
- Apague todos los dispositivos de extracción, como la campana de cocina, la secadora y los ventiladores del baño.
- Compruebe que los registros de equilibrio están totalmente abiertos.

NOTA: Los **registros de equilibrio NO ESTÁN INCLUIDOS**; deberán conseguirse aparte. Instale los registros de equilibrio en el tubo de aire fresco al edificio y en el tubo de aire de salida desde el edificio (A y B en la ilustración de abajo), en el lugar más cómodo.

- Compruebe que todos los filtros estén limpios (si no es la primera vez que equilibra el aparato).

7.3 PROCEDIMIENTO DE EQUILIBRADO

1. Ponga el aparato en velocidad alta.

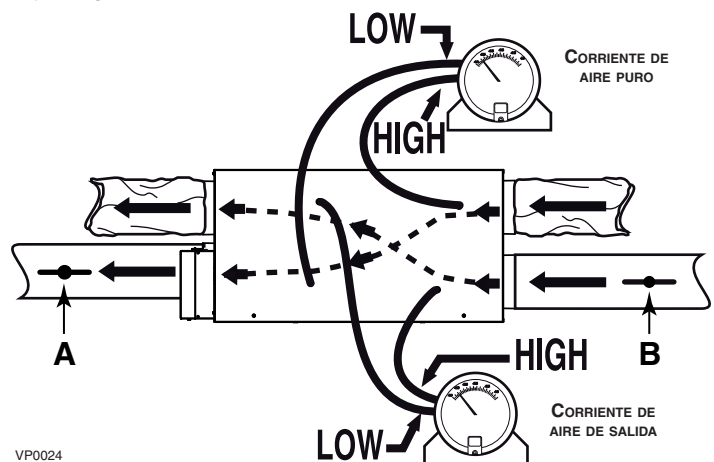
Compruebe que el ventilador impelente de la caldera/armario de tratamiento del aire esté en posición ON (encendido) si la instalación está de alguna forma conectada a los tubos de retorno de aire frío. De no ser así, deje el ventilador impelente de la caldera/armario de tratamiento del aire en posición OFF (apagado). Si la temperatura exterior es inferior a 32°F, verifique que el aparato no esté funcionando en modo deshielo mientras procede al equilibrado. (Si espera 10 minutos tras enchufar el aparato, tendrá la certeza de que el aparato no está en el ciclo de deshielo.)

2. Coloque el caudalímetro de hélice sobre una superficie a nivel y póngalo en cero.

3. Conecte los tubos del caudalímetro a las tomas de presión de la corriente de aire SALIDA (véase el diagrama al lado).

Compruebe que conecta los tubos a los empalmes apropiados high (alto) o low (baja). Si el caudalímetro desciende por debajo de cero, invierta las conexiones de los tubos.

NOTA: Se sugiere empezar por medir la corriente del aire de salida porque habitualmente el aire la salida tiene más restricciones que el aire puro, sobre todo en los casos de instalaciones completamente entubadas o de ventilación en el punto de origen. Coloque el caudalímetro de hélice en posición vertical y a nivel. Registre la CORRIENTE DE AIRE equivalente al resultado del caudalímetro con arreglo al diagrama de equilibrado.



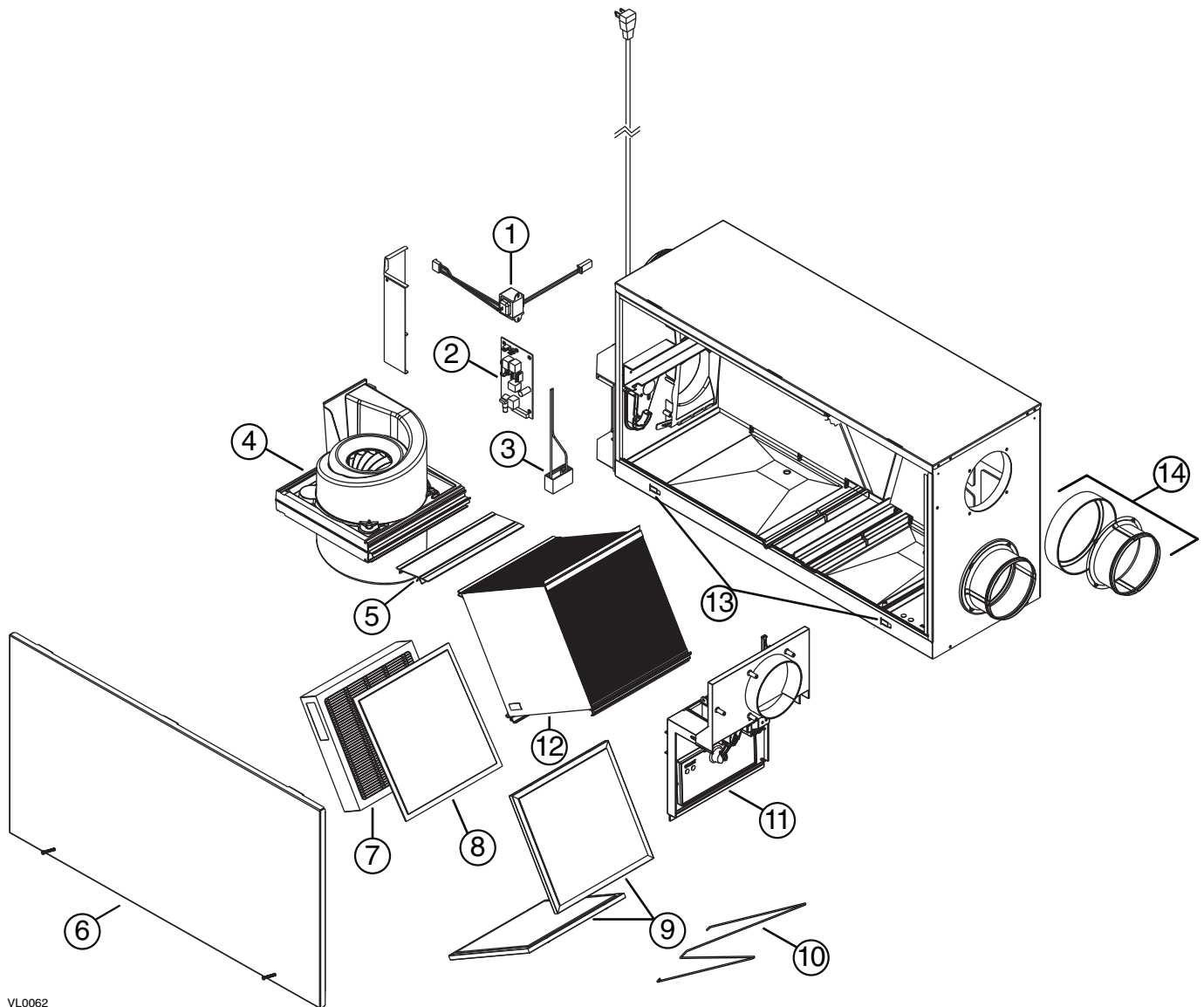
4. Ponga los tubos del caudalímetro en las tomas de presión de la corriente de aire PURO (véase el diagrama). Regule el registro de equilibrio del aire puro (A) hasta que la corriente de aire puro sea aproximadamente la misma que la de aire de SALIDA. Si la corriente de aire puro es inferior a la de aire de salida, regule el registro de equilibrio del aire salida (B) al mismo nivel que el del aire puro.

5. Sujete ambos registros con un tornillo de sujeción.

6. Escriba los datos necesarios sobre la corriente de aire en una etiqueta y péguela cerca del aparato par futuras consultas (fecha, velocidad máxima de las corrientes de aire, su nombre, teléfono y dirección profesional).

NOTA: Se considera que el aparato está equilibrado au cuando una diferencia de $\pm 10 \text{ pi}^3/\text{m}$ ($0 \pm 5 \text{ l/s}$) entre las dos corrientes de aire.

8. PIEZAS DE RECAMBIO



VL0062

N.º	DESCRIPCIÓN	CTD	HRVH100S	ERVH100S
1	TRANSFORMADOR	1	SV61545	SV61545
2	TARJETA ELECTRÓNICA	1	SV61185	SV61184
3	CAPACITOR 6 µF	1	SV61550	SV61550
4	CONJUNTO DEL VENTILADOR	1	SV61552	SV61552
5	SOPORTE DE LA UNIDAD CENTRAL	1	SV61553	SV61553
6	CONJUNTO DE LA PUERTA	1	SV63625	SV63625
7	JUEGO DE FILTROS HEPA ¹	1	SV21293	SV21293
8	JUEGO DE PREFILTROS PARA FILTRO HEPA ²	1	SV61561	SV61561
9	FILTRO DEL NÚCLEO	2	SV61563	SV61562
10	ALAMBRE DE RETENCIÓN DEL FILTRO INFERIOR	1		SV61564
11	CONJUNTO DEL SISTEMA DEL REGISTRO	1	SV61565	SV61565
12	NÚCLEO DE RECUPERACIÓN DE CALOR	1	SV61567	
	NÚCLEO DE RECUPERACIÓN DE ENERGÍA	1		SV61410
13	SOPORTE CON TUERCA DE RETENCIÓN	2	SV61411	SV61411
14	BOCA DE DOBLE ANILLO	2	SV61569	SV61569

REPUESTOS Y REPARACIONES

Para que el aparato de ventilación esté en buenas condiciones sólo debe utilizar repuestos Broan-NuTone LLC genuinos. Los repuestos Broan-NuTone LLC genuinos han sido diseñados especialmente para cada aparato, han sido fabricados de conformidad con todas las normas de certificación aplicables y ofrecen un alto nivel de seguridad. El uso de repuestos diferentes puede provocar daños graves y reducir drásticamente el nivel de rendimiento del aparato, lo cual podría causar una avería prematura. Broan-NuTone LLC aconseja ponerse en contacto con un taller de servicio autorizado para cualquier cambio de pieza y reparación.

¹ EL JUEGO DE FILTROS HEPA INCLUYE 2 PREFILTROS.

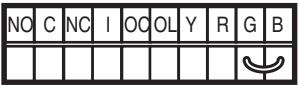
² EL JUEGO DE PREFILTROS INCLUYE 2 PREFILTROS.

9. SOLUCIÓN DE PROBLEMAS


Si el aparato no funciona bien, reinícielo desenchufándolo durante un minuto y vuélvalo a enchufar. Si sigue sin funcionar bien, consulte la tabla de abajo.

Si el diodo luminiscente (LED) del control integrado del aparato parpadea, significa que los sensores del aparato han detectado un problema. Consulte la tabla de abajo para saber dónde se produce el problema en el aparato.

COLOR DEL DIODO	TIPO DE ERROR	MEDIDA	ESTADO DEL APARATO
Parpadea en VERDE	Error del termistor	Sustituya el termistor	Funciona pero descongela con frecuencia
Parpadea en ÁMBAR	Error del registro	Vaya al punto 6	No funciona

	PROBLEMA	CAUSAS POSIBLES	SOLUCIONES POSIBLES
1	El código de error E1 aparece en la pantalla del control mural principal VT8W o VT7W.	<ul style="list-style-type: none"> Los hilos pueden estar en posición invertida. Los hilos pueden estar rotos. Los hilos pueden estar mal conectados. 	<ul style="list-style-type: none"> Compruebe que los hilos de colores se han conectado en los lugares correspondientes. Examine cada hilo y sustituya los que estén dañados. Compruebe que los hilos se han conectado correctamente.
2	No hay temperatura exterior en la pantalla del control mural VT8W — — .	<ul style="list-style-type: none"> El termistor del aparato está defectuoso (el diodo del control integrado del aparato debe parpadear en VERDE). 	<p>NOTA: en la primera puesta en marcha o tras una interrupción de la alimentación transcurrirán algunos minutos hasta que aparezca en la pantalla la temperatura exterior. La demora depende del modo de funcionamiento establecido para el control mural. La demora es más breve cuando se ha seleccionado el modo VENT en la opción MIN o MAX.</p> <ul style="list-style-type: none"> Sustituya el termistor del aparato.
3	La pantalla del control mural VT8W o VT7W alterna entre normal y E3.	<ul style="list-style-type: none"> El control mural VT8W o VT7W debe estar defectuoso. 	<ul style="list-style-type: none"> Sustituya el control mural VT8W o VT7W.
4	El aparato no funciona.	<ul style="list-style-type: none"> La placa de circuitos puede estar defectuosa. El fusible puede estar defectuoso. 	<ul style="list-style-type: none"> Desenchufe el aparato. Desconecte el control principal y los opcionales (de haberlos). Conecte provisionalmente los terminales G y B. Vuelva a enchufar el aparato y espere unos 10 segundos. Si los motores funcionan a alta velocidad y el registro de abre, la placa de circuitos no está defectuosa. Verifique si el fusible F1 está quemado. De estarlo, sustitúyalo conforme a la placa de datos del producto. 
5	El accionador del registro no funciona.	<ul style="list-style-type: none"> El accionador o el mecanismo integrado del registro pueden estar defectuosos. La placa de circuitos o el transformador pueden estar defectuosos. 	<ul style="list-style-type: none"> Desenchufe el aparato. Desconecte el control principal y los opcionales (de haberlos). Espere 10 segundos y vuelva a enchufar el aparato. Verifique si el registro se abre. Si no se abre, use un multímetro y verifique si hay una señal de 24 V CA en J12-1 y J12-2 (en el compartimento eléctrico). Si hay señal de 24 V CA, sustituya el conjunto del registro. NOTA: es normal que haya una pequeña demora (7-8 segundos) hasta que se detecte la señal de 24 V CA. La señal permanecerá 17-18 segundos y luego desaparecerá. Si no hay señal de 24 V CA, verifique si la hay entre J8-1 y J8-2. Si hay señal, sustituya la placa de circuitos y, si no la hay, cambie el transformador.
6	El control mural no funciona.	<ul style="list-style-type: none"> Los hilos pueden estar en posición invertida. Los hilos pueden estar rotos. El hilo de la pared O el control mural pueden estar defectuosos. 	<ul style="list-style-type: none"> Compruebe que los hilos de colores se han conectado en los lugares apropiados. Examine cada hilo y sustituya los que estén dañados. Retire el control mural y pruébelo junto al aparato con un hilo más corto. Si el control mural funciona, cambie el hilo. Si no funciona, cambie el control mural.

9. SOLUCIÓN DE PROBLEMAS (CONTINUACIÓN)

	PROBLEMA	CAUSAS POSIBLES	SOLUCIONES POSIBLES
7	El temporizador de botón pulsador de VB60W no funciona O su indicador luminoso no permanece encendido.	<ul style="list-style-type: none"> Los hilos pueden estar en posición invertida. El botón pulsador VB60W puede estar defectuoso. 	<ul style="list-style-type: none"> Compruebe que los hilos de colores se han conectado en los lugares correspondientes. Conecte provisionalmente los terminales OL y OC. Si el aparato pasa a alta velocidad, retire el botón pulsador VB60W y pruébelo junto al aparato con un cable más corto. Si funciona así, cambie el hilo. Si no funciona, cambie el botón pulsador VB60W.  <p style="text-align: right; font-size: small;">VE0098</p>
8	El motor no funciona.	<ul style="list-style-type: none"> El fusible puede estar defectuoso. El motor puede estar defectuoso. El motor o el condensador pueden estar defectuosos. 	<ul style="list-style-type: none"> Verifique si el fusible F1 está quemado. De estarlo, sustitúyalo conforme a la placa de datos del producto. NOTA: consulte la sección 6. <i>Diagrama de cableados</i>. Si el voltaje es de 120 V CA en J4, cambie el motor defectuoso. Use un multímetro para verificar los ohmios en el conector del motor. En los hilos AZUL y NEGRO del motor el valor correcto es de ± 43 ohmios. En los hilos AZUL y MARRÓN del motor el valor correcto es de ± 48 ohmios. En los hilos MARRÓN y NEGRO del motor el valor correcto es de ± 91 ohmios. Si los valores en ohmios son los mismos, el motor no está defectuoso. Sustituya el condensador del motor.
9	El ciclo de descongelación no funciona (el tubo de aire fresco está congelado) O el aire fresco distribuido está muy frío.	<ul style="list-style-type: none"> Depósitos de hielo podrían obstaculizar el funcionamiento del registro. La varilla del registro o el registro de la boca pueden estar rotos. El activador del registro o la placa de circuitos pueden estar defectuosos. 	<ul style="list-style-type: none"> Retire el hielo. Examine estas piezas y sustitúyalas de ser necesario. Vea el punto 5.
10	El botón pulsador de control de descongelación integrado no funciona.	<ul style="list-style-type: none"> La secuencia de puesta en marcha de 30 segundos no se ha completado. 	<ul style="list-style-type: none"> Véase la sección 4.1 <i>Secuencia de puesta en marcha</i>.

Si el problema persiste, llame nuestro departamento de asistencia técnica: 1-800-543-3055.