



BROAN™ HRV70 Series

Part no. HRV70TE (TOP PORTS)

Part no. HRV70SE (SIDE PORTS)

35 to 70 CFM (0.4 in. w.g.)



HRV70TE



HRV70SE

The BROAN™ HRV70 Series of Heat Recovery Ventilators

The BROAN™ HRV70 Series is the ideal choice for condominiums, apartments and other limited space applications that require up to 70 cfm of continuous ventilation. With its compact size and 4-inch vertical or horizontal ports, it can be installed in small spaces such as a closet or mechanical room above a hot water tank. The BROAN™ HRV70 Series has just one blower (patent pending) and is therefore quieter than any other similar HRV on the market.

- At just 30 lb. (13.6 kg), it can be installed without opening the unit
- Features pressure taps, balancing dampers, integrated hooks and port straps to simplify installation
- Removable terminal block for quicker wall control connections
- ENERGY STAR® qualified*

REPAIRS AND MAINTENANCE

All parts of the BROAN™ HRV70 Series that require maintenance can be removed in less than five minutes, allowing direct access for easy repairs. The PSC motor is permanently lubricated.

WARRANTY

The BROAN™ HRV70 Series is protected by a 2-year warranty on parts only. The heat recovery core is covered by a 10-year warranty, with the original proof of purchase.

HEAT RECOVERY VENTILATOR

Controls

- This unit is very simple to operate. Once it is installed, press on its push button, located on the unit top left side, to select high speed, low speed or to stop it (the blower is off but will turn on in response to a wall control signal). The LED (located under the push button) will then show on which mode the unit is in.

Options

- Exclusive wall mounting bracket ACCWMK

Defrosting System

The BROAN™ HRV70 Series uses a unique recirculation defrost method, which maintains balanced air pressure in the home. If there is a call for ventilation from a wall control during the defrost cycle, the defrost is put "on hold" while air is exchanged, ensuring that no humid air is recirculated.

OUTSIDE TEMPERATURE		DEFROST CYCLE MIN./ OPERATING MIN.
°C	°F	
WARMER THAN -5	WARMER THAN 23	NO DEFROST
-5 TO -27	23 TO -17	4/20
-27 AND LESS	-17 AND LESS	6/15

Heat Recovery Core

Dimensions: 10" x 10" x 5.5" (25.4 cm x 25.4 cm x 14 cm)

Exchange surface: 42.3 ft.² (3.9 m²)

Weight: 4 lb. (1.8 kg)

Material: Polypropylene

Type: Cross flow

Warranty: Limited lifetime

Requirements and standards

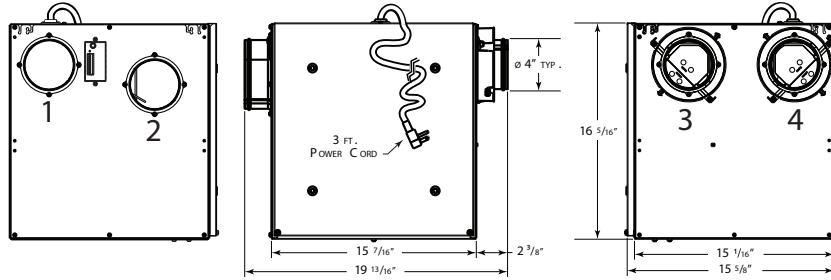
- Complies with the UL 1812 requirements regulating the installation of Heat Recovery Ventilators
- Complies with the CSA C22.2 no. 113 Standard applicable to ventilators
- Complies with CSA C444 requirements regulating the installation of Heat Recovery Ventilators
- Technical data was obtained from published results of tests relating to CSA C439 Standards
- HVI certified and ENERGY STAR® qualified*

Available at :

*This product earned the ENERGY STAR® by meeting strict energy efficiency guidelines set by Natural Resources Canada and the US EPA. It meets ENERGY STAR® requirements only when used in Canada.

DIMENSIONS: BROAN™ HRV70SE (side ports)

- 1: FRESH AIR TO BUILDING PORT
2: EXHAUST AIR FROM BUILDING PORT



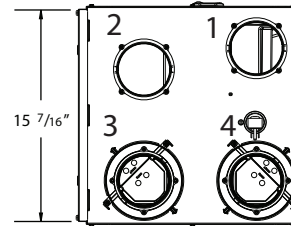
- 3: FRESH AIR FROM OUTSIDE PORT
4: EXHAUST AIR TO OUTSIDE PORT

NOTE: ALL UNITS PORTS WERE CREATED TO BE CONNECTED TO DUCTS HAVING A MINIMUM OF 4" DIAMETER, BUT IF NEED BE, THEY CAN BE CONNECTED TO BIGGER SIZED DUCTS BY USING AN APPROPRIATE TRANSITION (E.G.: 4" DIAMETER TO 5" DIAMETER TRANSITION).

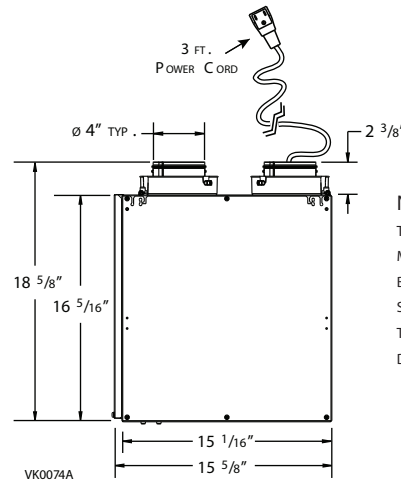
VENTILATION PERFORMANCE

EXTERNAL STATIC PRESSURE		NET SUPPLY AIR FLOW			GROSS AIR FLOW					
PA	IN. W.G.	L/S	CFM	M ³ /H	SUPPLY			EXHAUST		
					L/S	CFM	M ³ /H	L/S	CFM	M ³ /H
25	0.1	40	84	143	40	85	144	40	85	144
50	0.2	38	80	136	38	81	138	38	81	138
75	0.3	36	77	131	37	78	133	37	79	134
100	0.4	34	73	124	35	73	124	35	74	126
125	0.5	33	70	119	33	71	121	34	71	121
150	0.6	31	65	110	31	66	112	32	68	116
175	0.7	29	60	102	29	61	104	29	62	105
200	0.8	26	56	95	27	57	97	27	57	97
225	0.9	25	52	88	25	53	90	25	52	88

DIMENSIONS: BROAN™ HRV70TE (top ports)



- 1: FRESH AIR TO BUILDING PORT
2: EXHAUST AIR FROM BUILDING PORT
3: FRESH AIR FROM OUTSIDE PORT
4: EXHAUST AIR TO OUTSIDE PORT



NOTE: ALL UNITS PORTS WERE CREATED TO BE CONNECTED TO DUCTS HAVING A MINIMUM OF 4" DIAMETER, BUT IF NEED BE, THEY CAN BE CONNECTED TO BIGGER SIZED DUCTS BY USING AN APPROPRIATE TRANSITION (E.G.: 4" DIAMETER TO 5" DIAMETER TRANSITION).

ENERGY PERFORMANCE

SUPPLY TEMPERATURE		NET AIR FLOW			POWER CONSUMED	SENSIBLE RECOVERY EFFICIENCY	APPARENT SENSIBLE EFFECTIVENESS	LATENT RECOVERY/ MOISTURE TRANSFER
°C	°F	L/S	CFM	M ³ /H	WATTS			
HEATING								
0	32	20	42	71	36	67	77	0.00
0	32	30	64	109	52	61	71	0.00
0	32	38	81	138	54	58	65	0.00
-25	-13	18	39	66	42	60	81	0.02
-25	-13	30	64	109	53	55	70	0.01
COOLING								
35	95	-	-	-	-	TOTAL RECOVERY EFFICIENCY		-

NOTE: All specifications are subject to change without notice.

SPECIFICATIONS

- Part Number Top Ports: HRV70TE
- Part Number Side Ports: HRV70SE
- Total Assembled Weight (including polypropylene core): 30 lb. (13.6 kg)
- Round 4" ports
- Drain: 1/2" (1.2 cm) fitting with 10 ft. (3 m) PVC drain hose
- Core Filters: 2 washables, MERV 6 9.2" x 5.75" x 0.38" (23.4 cm x 16.6 cm x 1 cm)

- Housing: Pre-painted steel
- Insulation: Expanded polystyrene
- Mounting: Suspension by chains and spring or optional wall bracket
- Supply and Exhaust Blower Motor: 1 motor
 - Protection type: Thermally protected
 - Insulation class: B

- Speed Control on Unit:
 - Low speed and high speed
 - Other modes available with auxiliary wall controls
- Heat Recovery Core:
 - Heat Exchange Surface Area: 42.3 ft.² (3.9 m²)
 - Type: Crossflow
 - Material: Polypropylene
- Unit Electrical Characteristics:

Volts	Frequency	Ampere	Watts
120	60 Hz	0.5	60

Project:	REMARKS
Location:	
Part no.:	
Qty.:	
Submitted by: _____ Date: _____	

BROAN

Broan-NuTone LLC, 926 West State Street, Hartford, WI 53027 (1-800-637-1453)



www.broan.com

99528486A