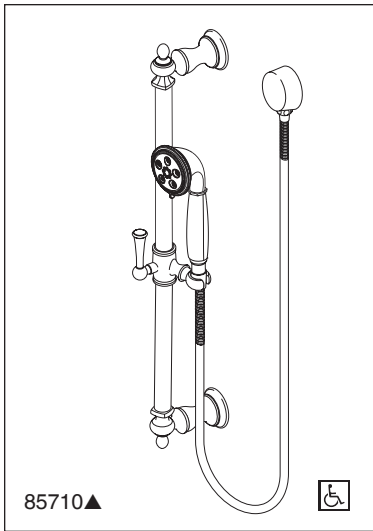


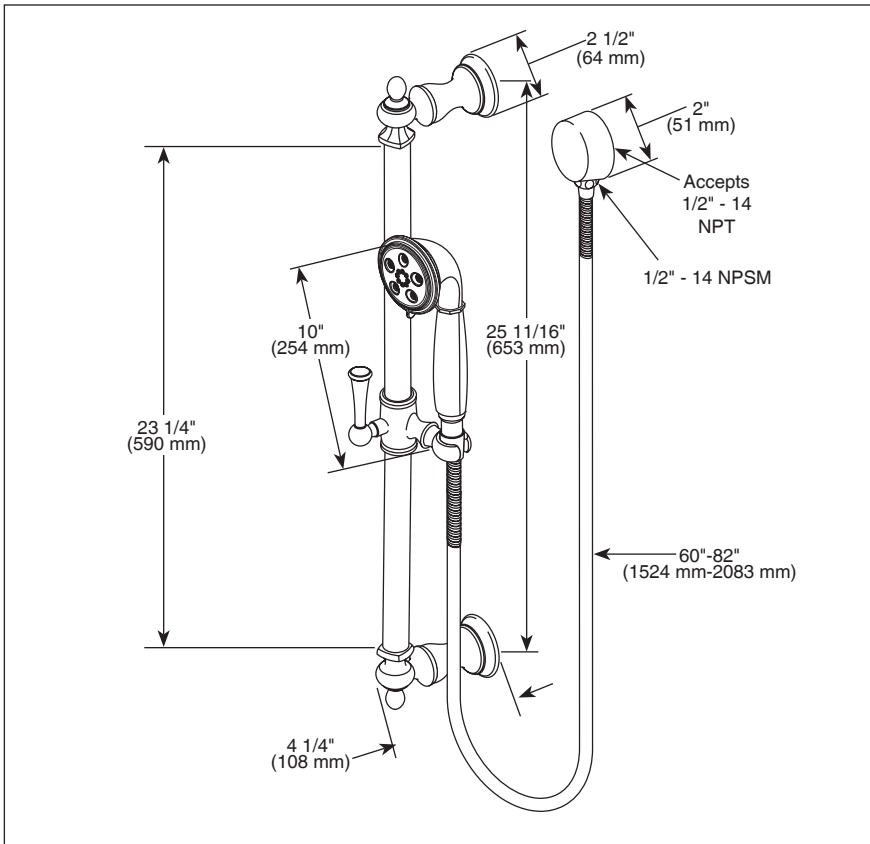
BRIZO® HAND SHOWER W/ SLIDE BAR

■ Traditional Bath Collection



Submitted Model No.: _____

Specific Features: _____



▲ Designate proper finish suffix

Spray Pattern



H₂Okinetik
Technology®



Massaging
Spray



Pause

- ◆ Your Brizo Faucet hand shower incorporates a backflow protection system that has been tested to be in compliance with ASME A1 12.18.3. It incorporates two certified check valves in series, which operate independently and are integral, non-serviceable parts of the wand assembly.

STANDARD SPECIFICATIONS:

- 2.00 gpm @ 80 psi, 7.60 L/min @ 552 kPa
- Multi function handshower featuring H₂Okinetik Technology®
- 23 1/4" (590 mm) wall bar with adjustable slide (allows for adjustable shower height). Not to be used as a Grab Bar. Not ADA compliant.
- 60" (1524 mm) - 82" (2083 mm) stretchable finished metal hose.

WARRANTY

- Lifetime limited warranty on parts (other than electronic parts and batteries) and finishes: or, for commercial users, for 5 years from date of purchase.
- 5 year limited warranty on electronic parts (other than batteries); or, for commercial users, for 1 year from the date of purchase. No warranty is provided on batteries.



COMPLIES WITH:

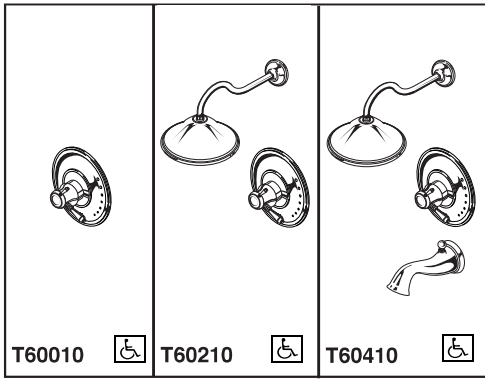
- ASME A1 12.18.1 / CSA B1 25.1

Indicates compliance to
ICC/ANSI A1 17.1

- EPA WaterSense®

BRIZO®

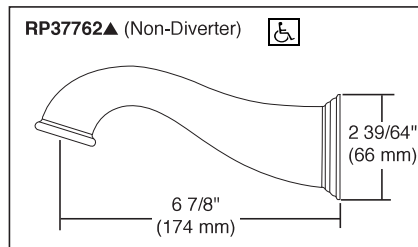
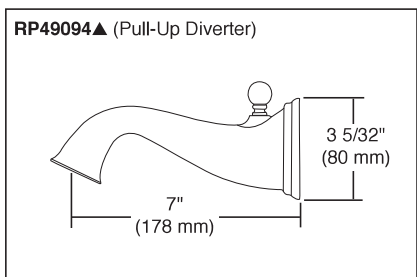
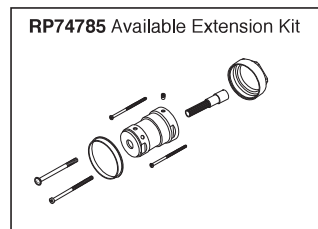
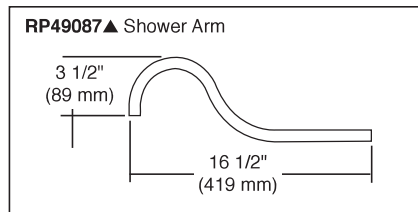
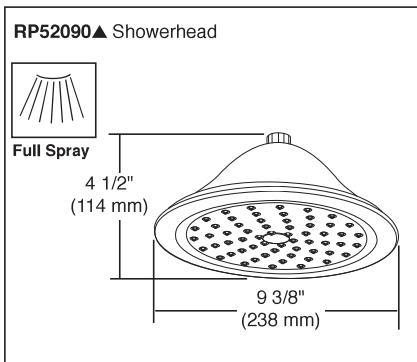
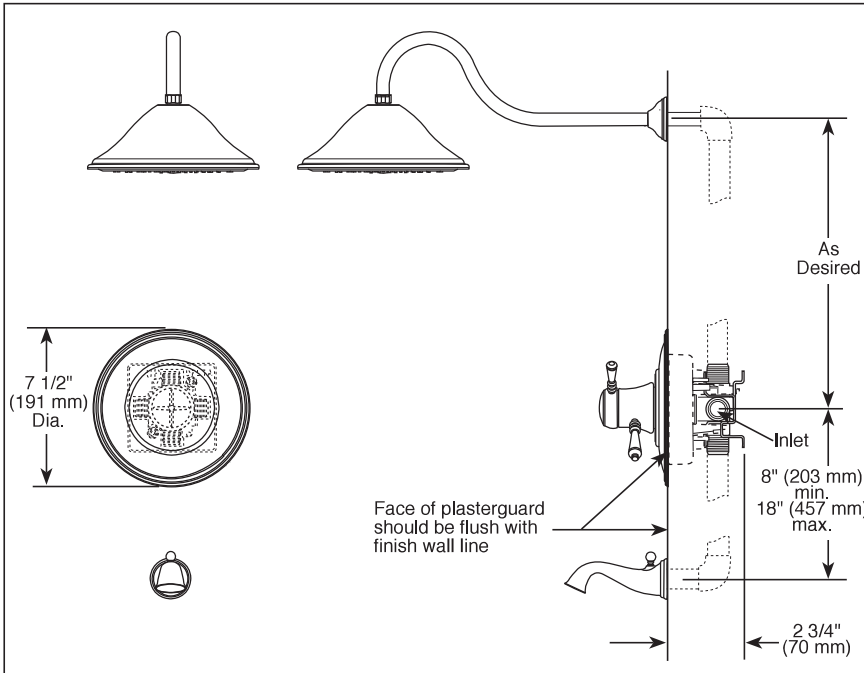
TUB AND SHOWER FAUCET TRIM



- Traditional Bath Collection
- TempAssure® Thermostatic
- Valve Only (T60010)
- Shower Only (T60210)
- Tub/Shower (T60410)

Submitted Model No.: _____

Specific Features: _____



▲ Designate proper finish suffix

STANDARD SPECIFICATIONS:

- TempAssure® 60 series thermostatic valve cartridge.
- Thermostatic wax element maintains the outlet temperature to $\pm 3.6^\circ\text{F}$.
- Must also order R60000-UNBX rough valve body.
- Back-to-back installation capability.
- Lever volume control handle; temperature adjustment dial.
- Graphics indicate hot/cold temperature adjustment.
- Field adjustable to limit handle rotation into hot water zone.
- All parts replaceable from the front of the valve.
- Adjusts for up to 1" wall thickness.

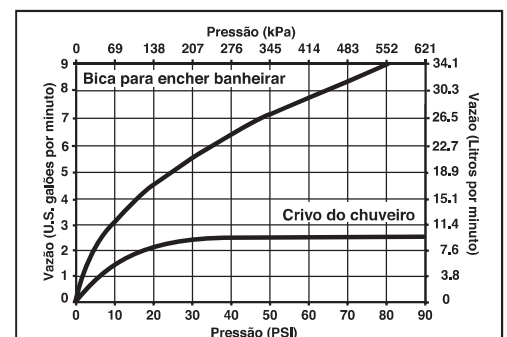
WARRANTY

- Lifetime limited warranty on parts (other than electronic parts and batteries) and finishes; or, for commercial users, for 5 years from date of purchase.
- 5 year limited warranty on electronic parts (other than batteries); or, for commercial users, for 1 year from the date of purchase. No warranty is provided on batteries.



COMPLIES WITH:

- ASME A112.18.1 / CSA B125.1
- ASSE 1016
- Indicates compliance to ICC/ANSI A117.1



Delta Faucet Company

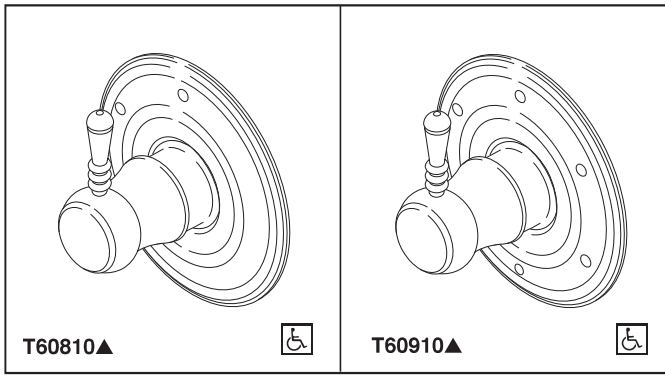
Indianapolis, Indiana 46280
A Division of Masco Corporation of Indiana
© 2013 Masco Corporation of Indiana

Delta reserves the right (1) to make changes in specifications and materials, and (2) to change or discontinue models, both without notice or obligation. Dimensions are for reference only. See current full-line price book or www.brizo.com for finish options and product availability.

BRIZO®

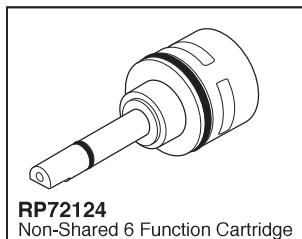
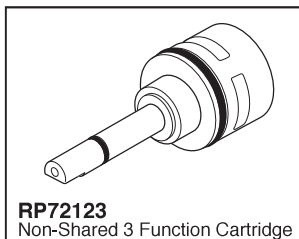
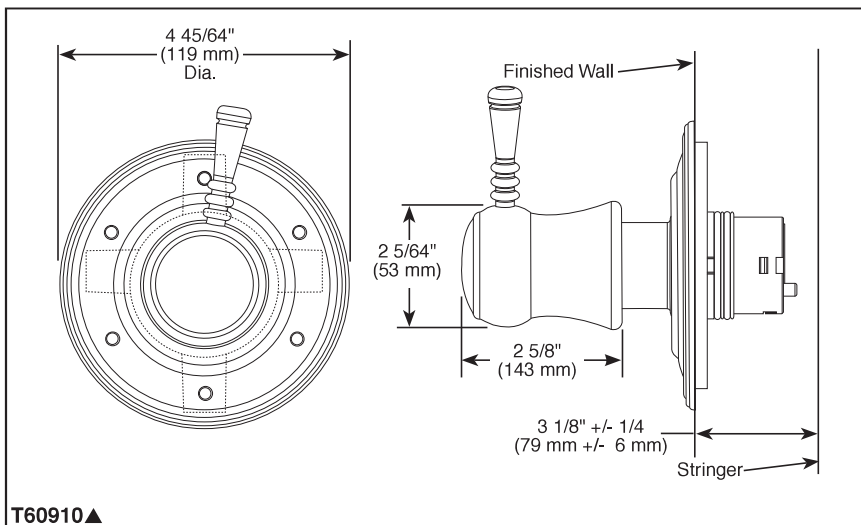
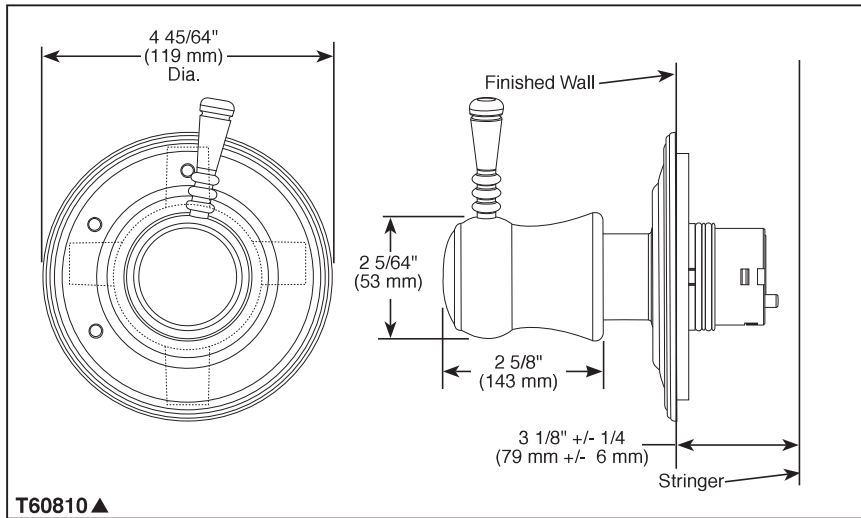
CUSTOM SHOWER DIVERTER

- Traditional Collection
- Three Function Diverter Trim (T60810)
- Six Function Diverter Trim (T60910)



Submitted Model No.: _____

Specific Features: _____



▲ Designate proper finish suffix

Delta reserves the right (1) to make changes in specifications and materials, and (2) to change or discontinue models, both without notice or obligation. Dimensions are for reference only. See current full-line price book or www.brizo.com for finish options and product availability.

BSP-B-T60810 Rev. D

STANDARD SPECIFICATIONS

- Three function diverter 2 individual positions, 1 shared position.
- Six function diverter 3 individual positions, 3 shared positions.
- Must also order R60700 rough-in.
- Non shared 3 function cartridge RP72123 and 6 function cartridge RP72124 are available.

WARRANTY

- Lifetime limited warranty on parts (other than electronic parts and batteries) and finishes; or, for commercial users, for 5 years from date of purchase.
- 5 year limited warranty on electronic parts (other than batteries); or, for commercial users, for 1 year from the date of purchase. No warranty is provided on batteries.



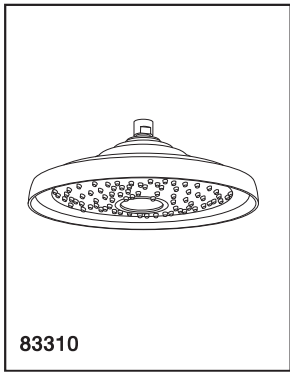
COMPLIES WITH:

- ASME A112.18.1 / CSA B125.1

Indicates compliance to ICC/ANSI A117.1

Delta Faucet Company

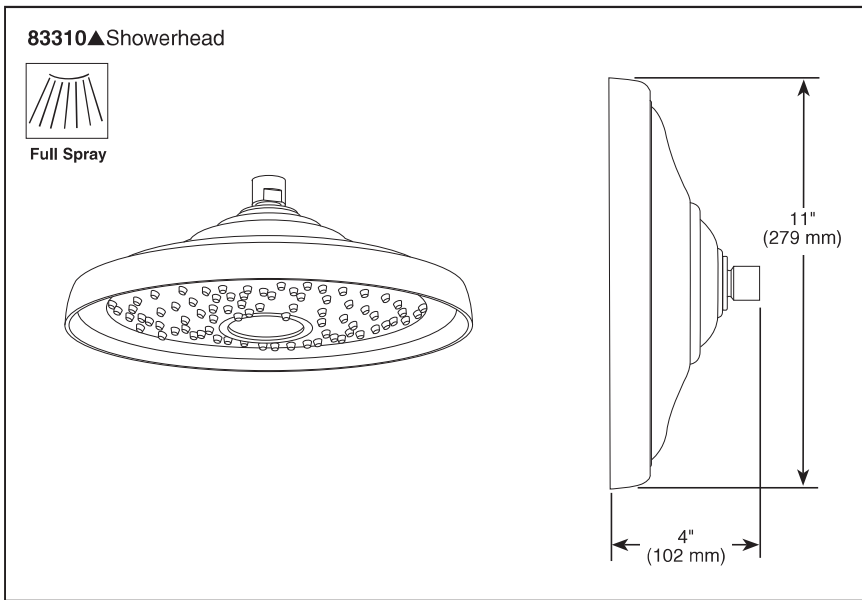
55 E. 111th Street, Indianapolis, Indiana 46280
350 South Edgeware Road, St. Thomas, Ontario Canada N5P 4L1
© 2013 Masco Corporation of Indiana



83310

Submitted Model No.: _____

Specific Features: _____



▲Designate proper finish suffix

BRIZO®

SHOWERHEAD

- Traditional Showerhead
- 2.5 GPM Max @ 80 PSI

STANDARD SPECIFICATIONS:

- Standard 1/2" pipe fitting.
- 2.5 GPM Max @ 80 PSI.
- Wrench flats for tightening.
- Solid fabricated brass showerhead.
- Showerhead is intended for ceiling supply only. Ball connector rotates but does not pivot.
- Please also order RP48985 (6") or RP48986 (10") ceiling supply.

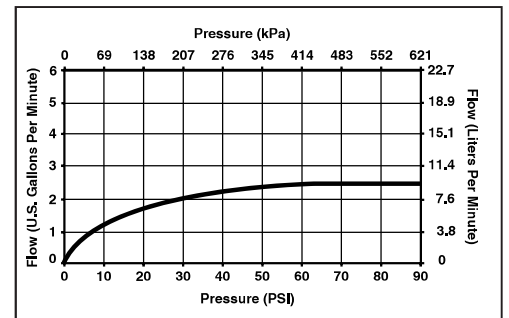
WARRANTY

- Lifetime Faucet and Finish Limited Warranty to the original consumer purchaser to be free from defects in material and workmanship.
- 5 Year Limited Warranty for usage in all industrial, commercial and business applications.

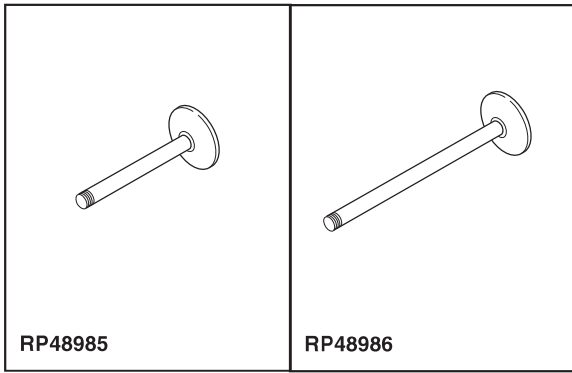


COMPLIES WITH:

- ASME A112.18.1 / CSA B125.1



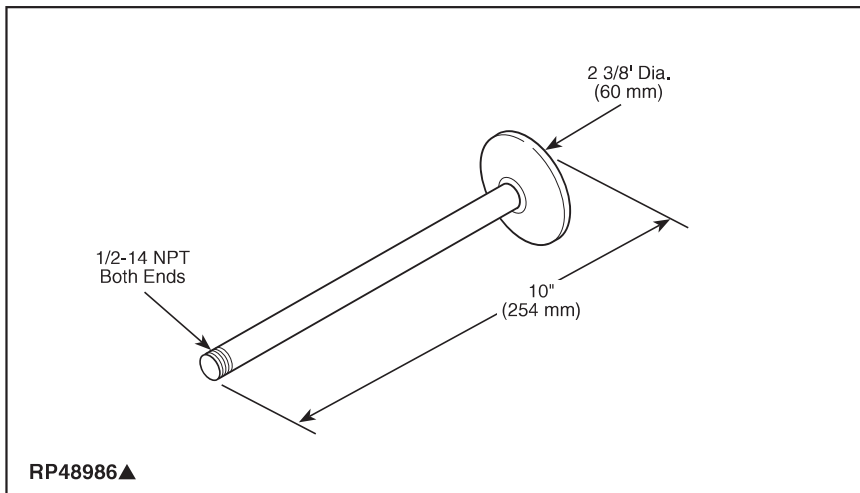
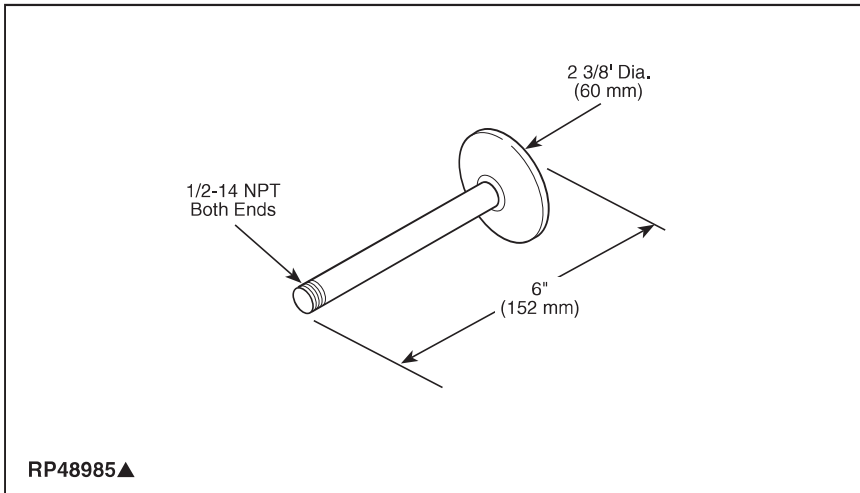
Delta reserves the right (1) to make changes in specifications and materials, and (2) to change or discontinue models, both without notice or obligation. Dimensions are for reference only.



BRIZO[®]

CEILING MOUNT SHOWERARMS AND FLANGE

Submitted Model No.: _____
 Specific Features: _____



▲Designate proper finish suffix

STANDARD SPECIFICATIONS:

- Nipples and flange are of solid brass construction.
- Adjustable flange is held in place on showerarm by rubber friction ring.

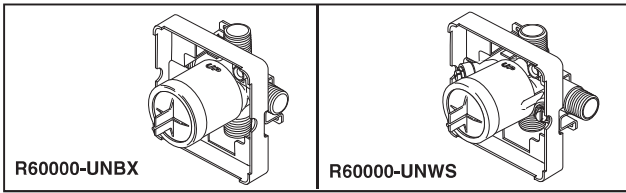
WARRANTY

- Lifetime Faucet and Finish Limited Warranty to the original consumer purchaser to be free from defects in material and workmanship.
- 5 Year Limited Warranty for usage in all industrial, commercial and business applications.



COMPLIES WITH:

- ASME A112.18.1 / CSA B125.1



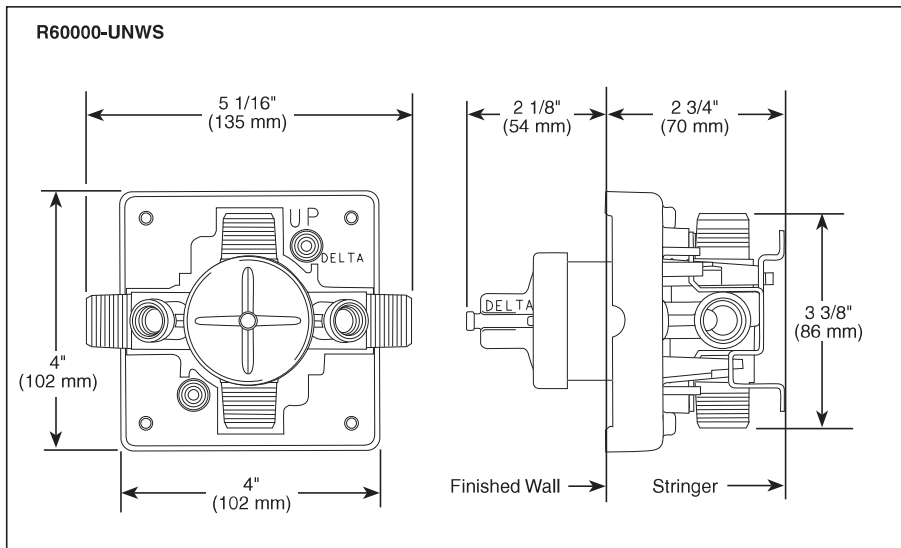
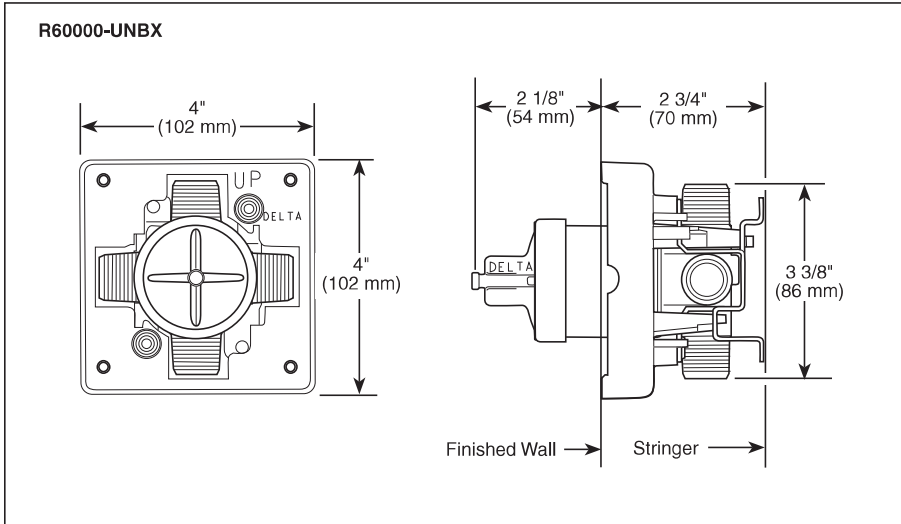
Submitted Model No.: _____

Specific Features: _____

BRIZO®

MULTICHOICE® UNIVERSAL ROUGH VALVE BODY

- R60000-UNBX (Case Qty 3)
- R60000-UNWS (Case Qty 3)



STANDARD SPECIFICATIONS:

- Forged brass body.
- Back-to-Back installation capabilities.
- Can be tested with air (200 PSI) or water (300 PSI) without valve using supplied test cap.
- Square plasterguard allows for right angle cuts.
- Thin wall mounting.
- For use with MultiChoice® Universal single or dual function trim. Cartridge ships with trim.

Note: Should use proper fitting with each type (copper tubing, iron pipe, and pex fitting).

Note: Should use proper tooling with crimping pex fitting and cold expansion pex models.

WARRANTY

- Lifetime limited warranty on parts (other than electronic parts and batteries) and finishes: or, for commercial users, for 5 years from date of purchase.
- 5 year limited warranty on electronic parts (other than batteries); or, for commercial users, for 1 year from the date of purchase. No warranty is provided on batteries.



COMPLIES WITH:

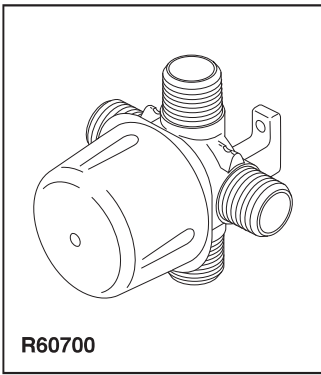
- ASME A112.18.1 / CSA B125.1

Delta reserves the right (1) to make changes in specifications and materials, and (2) to change or discontinue models, both without notice or obligation. Dimensions are for reference only. See current full-line price book or www.brizo.com for finish options and product availability.

BRIZO®

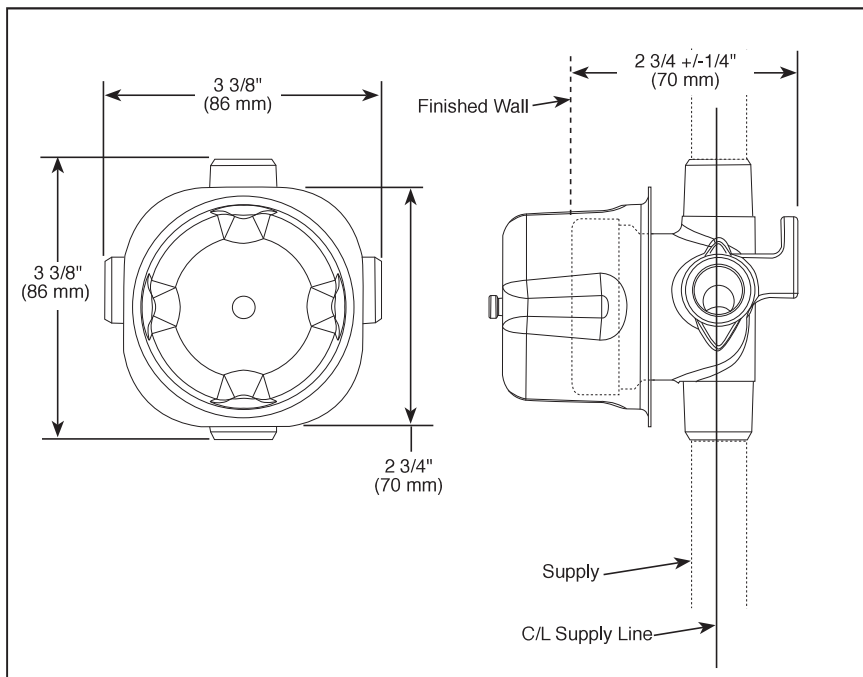
ROUGH VALVE BODY

- R60700 (Case Qty. 3)
- 1/2" Rough-In



Submitted Model No.: _____

Specific Features: _____



STANDARD SPECIFICATIONS

- Three port diverter rough.
- For use with (3) three or (6) six function diverter.
- Forged brass body.
- Can be tested with air (200 psi) or water (300 psi) using supplied test cap.

WARRANTY

- Lifetime limited warranty on parts (other than electronic parts and batteries) and finishes: or, for commercial users, for 5 years from date of purchase.
- 5 year limited warranty on electronic parts (other than batteries); or, for commercial users, for 1 year from the date of purchase. No warranty is provided on batteries.



COMPLIES WITH:

- ASME A112.18.1 / CSA B125.1



Delta reserves the right (1) to make changes in specifications and materials, and (2) to change or discontinue models, both without notice or obligation. Dimensions are for reference only. See current full-line price book or www.brizo.com for finish options and product availability.

BSP-B-R60700 Rev. D

Delta Faucet Company

55 E. 111th Street, Indianapolis, Indiana 46280
350 South Edgeware Road, St. Thomas, ON N5P 4L1
© 2013 Masco Corporation of Indiana