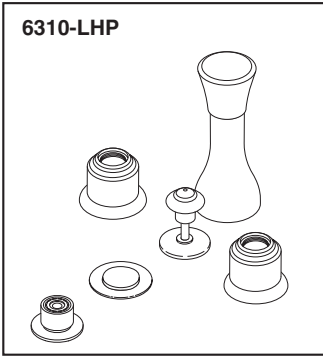
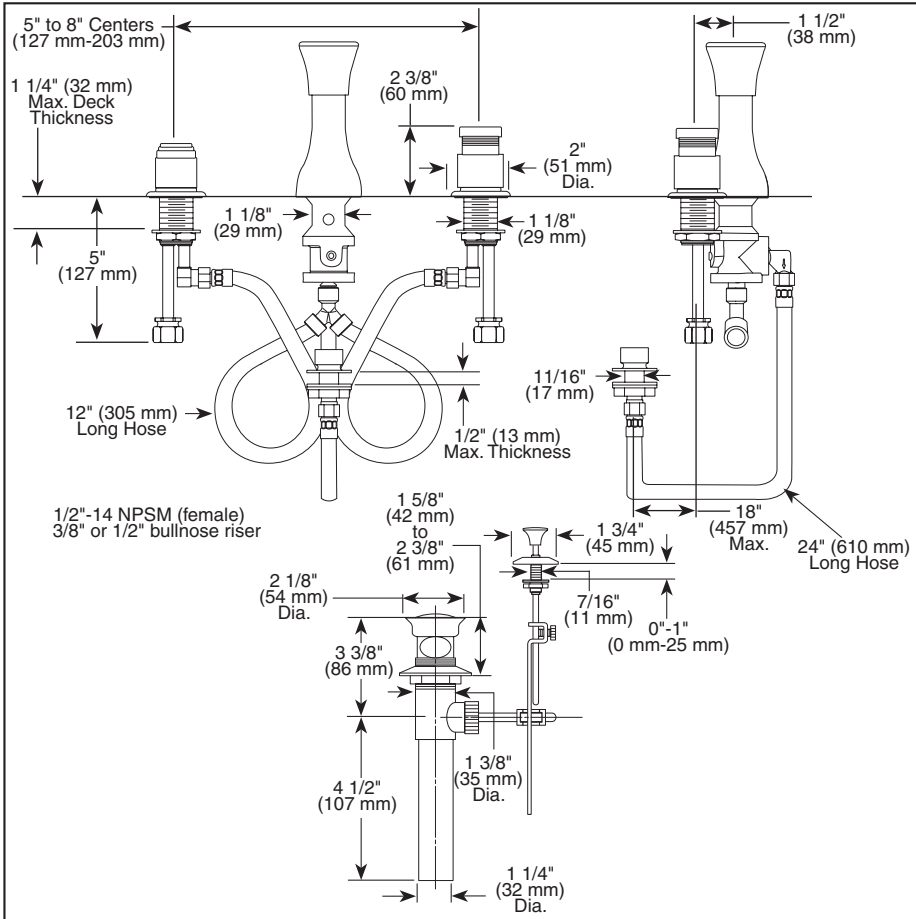


6310-LHP

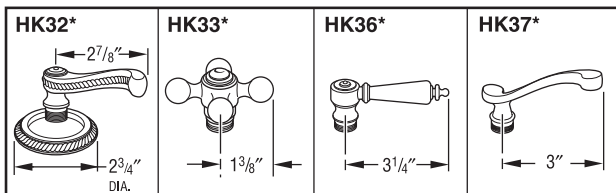


Submitted Model No.: _____

Specific Features: _____

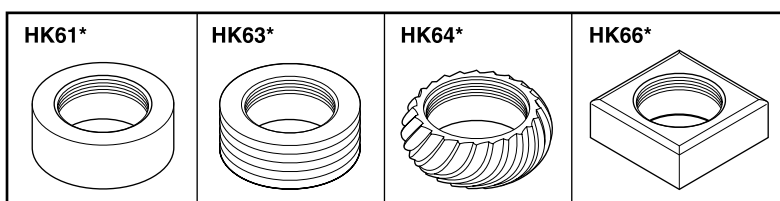


AVAILABLE HANDLE OPTIONS FOR 6310*-LHP:



*To specify finish add suffix

AVAILABLE HANDLE OPTIONS FOR 6360*-LHP:



*To specify finish add suffix

BSP-S-6310 Rev. C

BRIZO®

SPECIALTY FAUCETS

- Traditional & Contemporary
- Three-Handle
- 4 Hole Applications
- Bidet Valve
- Ceramic Disc Valving
- 5" to 8" Centers
- Vacuum Breaker


STANDARD SPECIFICATIONS:

- Three-handle deck mount bidet valves for exposed mounting on 4 hole applications.
- Ceramic disc valving.
- 5" to 8" Centers.
- Directional handle for rim flush or rosette spray douche.
- Hot and cold stems are interchangeable.
- Control mechanism shall be of the rotating cylinder type with 90° rotation, with replaceable non-metallic seats operating in stainless steel lined sockets.
- ¼ turn stop may be removed for 180° rotation.
- Backflow protected with in-line vacuum breaker.

WARRANTY

- Lifetime limited warranty on parts (other than electronic parts and batteries) and finishes: or, for commercial users, for 5 years from date of purchase.
- 5 year limited warranty on electronic parts (other than batteries); or, for commercial users, for 1 year from the date of purchase. No warranty is provided on batteries.

COMPLIES WITH:

- ASME A112.18.1 / CSA B125.1
-  Indicates compliance to ICC/ANSI A117.1

Brizo Kitchen & Bath Company
 Indianapolis, Indiana 46280
 A Division of Masco Corporation of Indiana
 © 2015 Brizo Kitchen & Bath Company