

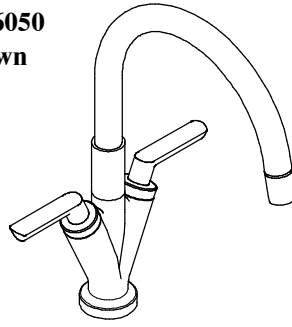
**COMPLIES WITH:**  
 ANSI/ASME A112.18.1  
 CSA B125  
 IAPMO Listed  
 CSA Certified  
 ICC/ANSI A117.1/ADA



CSA B125  
 ASME A112.18.1  
 ICC/ANSI A117.1



**Model  
 6216050  
 Shown**



# KITCHEN FAUCETS

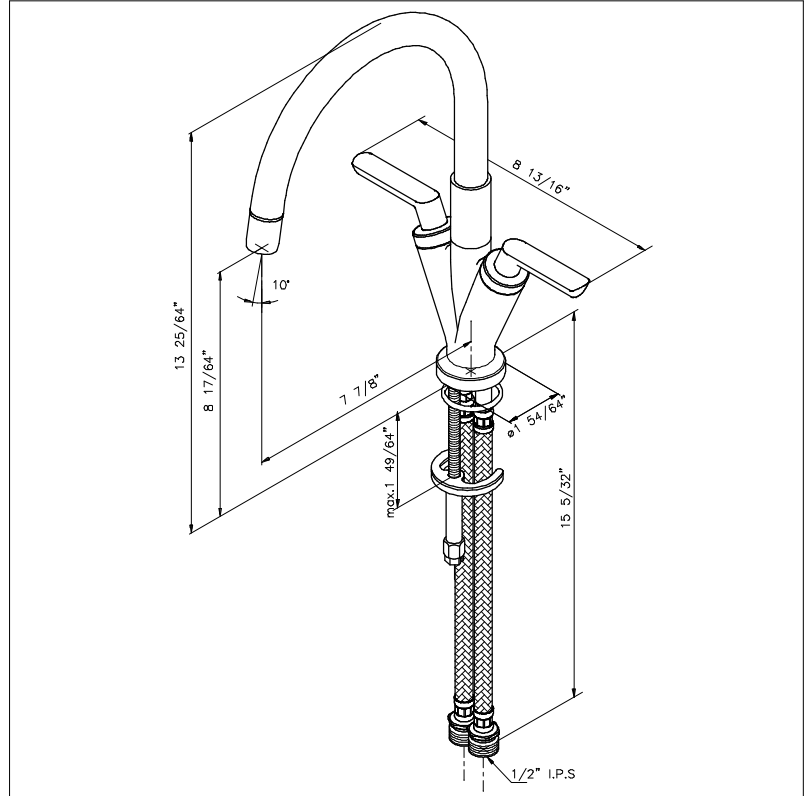
- Trevi™ Two Handle
- 1 Hole Applications

**Submitted Model No.:** \_\_\_\_\_

**Specific Features:** \_\_\_\_\_

## STANDARD SPECIFICATIONS

- Two handle kitchen faucet for concealed mounting on 1 hole applications.
- Control mechanism shall be of the rotating ceramic cylinder type with 90° (1/4 turn) rotation.
- Recommend 1 1/4" hole size.



## AVAILABLE FINISHES

Suffix	Finish
BN	Brilliance® Brushed Nickel
PC	Polished Chrome

## Metric Conversion Chart

<b>Gals./ Min</b>	0.5	1.0	1.5	2.0	2.5	3.0	10.0	10.5	12.0	17.5	18.0	19.0	psi	60.0	80.0
<b>Ltrs./ Min</b>	1.9	3.8	5.7	7.6	9.5	11.4	38.0	40.0	45.0	66.0	68.0	72.0	kPa	414	551

Standard Features	
Washerless ceramic valving	◆
Flexible connection hoses	◆
1/2" I.P.S. Adapters	◆

