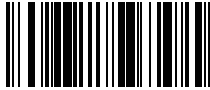


BRIZO®

116035



X00116035

PRISTIVE™ TANKLESS REVERSE OSMOSIS SYSTEM

Model Number: BWQ1001012

Date of Purchase: _____

Register Online
www.brizo.com/customer-support/product-registration

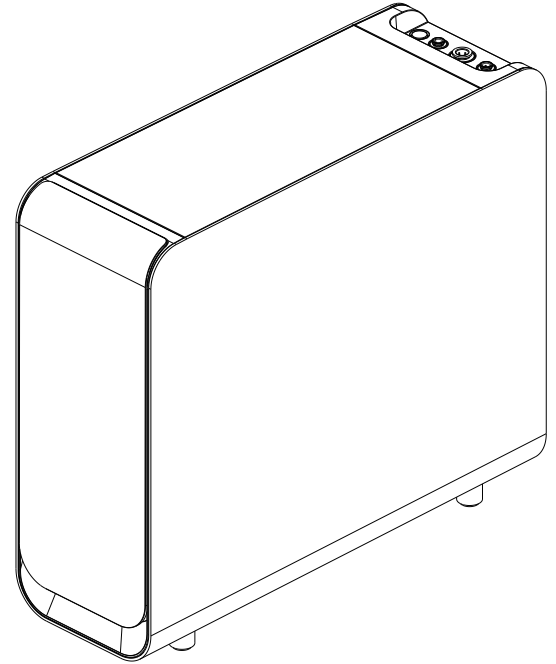


1-877-345-BRIZO (2749)
www.brizo.com/customer-support

Read all instructions prior to installation.

⚠ CAUTION

Failure to read these instructions prior to installation may result in personal injury, property damage, or product failure. Manufacturer assumes no responsibility for product failure due to improper installation.



SCAN TO ACCESS THE
PERFORMANCE DATA SHEET
Or visit www.brizo.com/pristive-tankless-spec

To reference replacement parts and access additional technical documents and product info, visit www.brizo.com



This system has been certified by IAPMO R&T against: ASSE 1086, NSF/ANSI 372, 42, 53, 58, 401, and Protocol P231 for the reduction of substances for specific performance claims as verified and substantiated by test data. Refer to the Performance Data Sheet for more information.

! DO NOT DISCARD !

Reference for long term maintenance. Leave with system owner.

Before you begin : Read all instructions before using this appliance

Read and understand this manual in its entirety to prevent personal injury and/or property damage during installation and use of this product. Check with all local plumbing code requirements prior to installation and follow their guidelines as you install this water filtration system.

WARNING

Do not use with water that is micro biologically unsafe or of unknown quality without adequate disinfection before or after the system. Systems certified for cyst reduction may be used on disinfected water that may contain filterable cysts.

WARNING

This system is for use on water supplies that have been treated to public water systems standards. This system has been tested to demonstrate effective reduction of microcystins. However, in the event of a reported cyanotoxin in your water supply, follow the recommendations of your drinking water authority. Other cyanotoxins may be present in the drinking water which may not be effectively reduced by this system.

WARNING

Do not allow children under 3 years of age to have access to small parts during the installation of this product.

Arsenic

Arsenic (abbreviated As) is found naturally in some well water. Arsenic in water has no color, taste or odor. It is measured by a laboratory test. Public water utilities must have their water tested for arsenic. You can get results from your water utility. If you have your own well, you can have the water tested. The local health department or the state environmental health agency can provide a list of certified labs. Information about arsenic in water can be found at US Environmental Protection Agency (EPA) website: epa.gov/safewater/arsenic. This system has been tested for the treatment of water containing pentavalent arsenic (also known as As(V), As(+5) or arsenate) at concentrations of 0.3 mg/L or less. This system reduces pentavalent arsenic, but may not remove other forms of arsenic. This system is to be used on water supplies containing a detectable free chlorine residual or on water supplies that have been demonstrated to contain only pentavalent arsenic. Treatment with chloramine (combined chlorine) is not sufficient to ensure complete conversion of trivalent arsenic to pentavalent arsenic. Please see the Arsenic Facts section of the Performance Data Sheet for further information.

* If your incoming water has concentrations of arsenic higher than 100 ppb or 0.1 mg/L it is recommended to change out your Carbon Filter cartridge every 6 months to maintain top performance of your reverse osmosis system.

Nitrate & Nitrite Test Kit:

This test detects Nitrate and Nitrite measured as N (Nitrogen). Nitrate and Nitrites find their way into drinking water from farm fertilizer, industrial and biological waste, and natural forming mineral deposits. Their presence can often be a sign of other pollutants in the water. For more information visit <https://www.epa.gov/dwreginfo/chemical-contaminant-rules>.

The EPA sets the Maximum Contaminant Level (MCL) for Nitrate at 10ppm and Nitrite at 1ppm. Nitrite levels above the EPA limit can be an indicator that bacteria is present.

- Total Nitrate (NO₃-N)
EPA MCL = 10ppm Nitrate as N
Nitrate (as NO₃)
- Total Nitrite (NO₂-N)
EPA MCL = 1ppm Nitrite as N
Nitrite (as NO₂)

TEST PROCEDURE:

Remove 1 test strip from foil packet and using a cup-size sample, immerse strip for 2 seconds. Remove with pads face up.

DO NOT SHAKE OFF EXCESS WATER.

Wait 60 seconds and immediately compare to the color chart provided with the test kit. Complete the color matching within 60 seconds.

- **Keep wet fingers out of foil pack.**
- **Store in a cool, dry place.**

This system is acceptable for treatment of Nitrate/Nitrite influent concentrations of no more than 27 mg/L Nitrate and 3 mg/L Nitrite in combination measured as N and is certified for Nitrate/Nitrite reduction only for water supplies with a pressure of 50 PSI or greater.

* This system is supplied with a Nitrate/Nitrite test kit to evaluate the water at time of installation but for continued maintenance filtered water should be monitored periodically and retested every 6 months.

* Check the expiration date of your test strips; if expired, please contact customer service for a replacement.



Be sure to follow all applicable state and local codes



- Not all contaminants or substances present in your water are removed by this water filtration device. Please refer to the Performance Data Sheet for information on contaminants and reduction performance.
- The system is to be supplied only with cold water.
- This filtration system is not intended to convert wastewater or raw sewage into drinking water.
- There is a risk of exposure to contaminants if this device is not maintained and operated as specified in the following installation manual.
- Contaminants or other substances removed by this filtration system may not be present in your water. Please refer to the Performance Data Sheet section for information on contaminants and reduction performance.
- This product has a limited service life. Keep a record of the date of installation and any performed maintenance or filter replacement. Because of the limited service life, replace the system every 10 years to prevent costly repairs or possible water damage.

Installations in the Commonwealth of Massachusetts:

- The Commonwealth of Massachusetts requires installation be performed by a licensed plumber and does not permit the use of saddle valves. Plumbing code 248-CMR of the Commonwealth of Massachusetts must be followed in these cases.

NOTICE

To reduce the risk associated with property damage due to water leakage:

- Read and follow these instructions before installation and use of this system.
- Installation and use must comply with all state and local plumbing codes.
- Do not install the unit where the temperature may drop below freezing, may be exposed to direct light, or may be exposed to heat.
- Water pressure should not exceed 80 psi.
- Mitigate water hammer conditions.
- Install backflow prevention device.
- Do not use a torch or other high temperature sources near filters system, cartridges, plastic fittings or plastic plumbing.
- Never use pipe sealant, pipe dope, or thread sealing tape on plastic fittings.
- Take care when using pliers or pipe wrenches to tighten plastic fittings, as damage may occur if over tightened.
- Locate the system in such a position as to prevent it from being struck by other items used in the area of installation.
- Do not install unit if any parts are missing. Contact Delta customer service at 1-800-345-3358 for replacement parts. Regularly inspect the plumbing and water supplies for damage. Replace or repair as needed.
- Replace filter cartridges promptly when the lifetime capacity has been met, or there is a noticeable decrease in water flow.
- After any prolonged period of non-use, manually flush the system thoroughly for approximately 10 minutes. If the unit's water or power supply will be turned off or unavailable, turn off the water supply to the unit and remove the filter cartridges. Store the filter cartridges in a sealed bag in the refrigerator (NEVER FREEZE the cartridges) in order to maximize the remaining filter capacity. Then unplug the unit. (see Care and Maintenance section for additional details on long term storage).
- If you must shut off the water supply for any reason, unplug the unit.
- The reverse osmosis filtration system contains a replaceable treatment component, critical for the effective reduction of Total Dissolved Solids (TDS), and that filtered water shall be tested periodically to verify that the system is performing properly.

Flow rate and output are determined by 4 factors:

1. Incoming water temperature
2. Total dissolved solids (TDS) present in water supply
3. Incoming water pressure
4. Output device flow restriction (ie restrictive faucet, distance between unit to output device, or refrigerators)

Lower temperatures are directly proportional to slower flow rate. All membranes are tested at 77°F (25°C). Incoming water temperatures should not exceed 90°F (32°C). The reverse osmosis filtration system should also not be installed in a location susceptible to freezing. The more TDS in the water supply, the more filter time is required. Incoming TDS should not exceed 1000ppm. Higher water pressure enables a higher flow rate. Pressure must be above 40 psi for proper system operation. You may consider installing a booster pump if pressure is below 40 psi.

Package Contents

Inspect the package

Unbox and familiarize yourself with all the components, connection fittings, and reverse osmosis system for a quick and easy installation. Inspect them according to the parts list to ensure nothing has been left out or damaged during shipment. If there are any parts cracked and/or broken, please do not proceed with the installation and contact customer service at 1-877-345-BRIZO (2749).

Specifications

To achieve the optimal performance, it is highly recommended to use the system within the operational parameters.

| Model | BWQ1001012 |
|----------------------------|---|
| System Size (L*W*H) | 18" (L) x 6 1/4" (W) x 16" (H) |
| Environment Temperature | 39°F-104°F / 4°C-40°C |
| Environment Humidity | ≤90% |
| Influent Water Pressure | 20 - 80 PSI / 0.14 - 0.6 MPa |
| Influent Water Temperature | 41°F-100°F / 5°C-38°C |
| Influent Water Requirement | Potable water source (*see Influent Water Characteristics chart) |
| Daily Production Rate | 800 GPD (gallons per day) |
| Power Specification | Input 100 ~ 240 V AC |
| | Output 24V DC |
| Rated Lifespan | 1320g / 5000L |
| Rated Pure Water Flow Rate | 2.1 L/min |

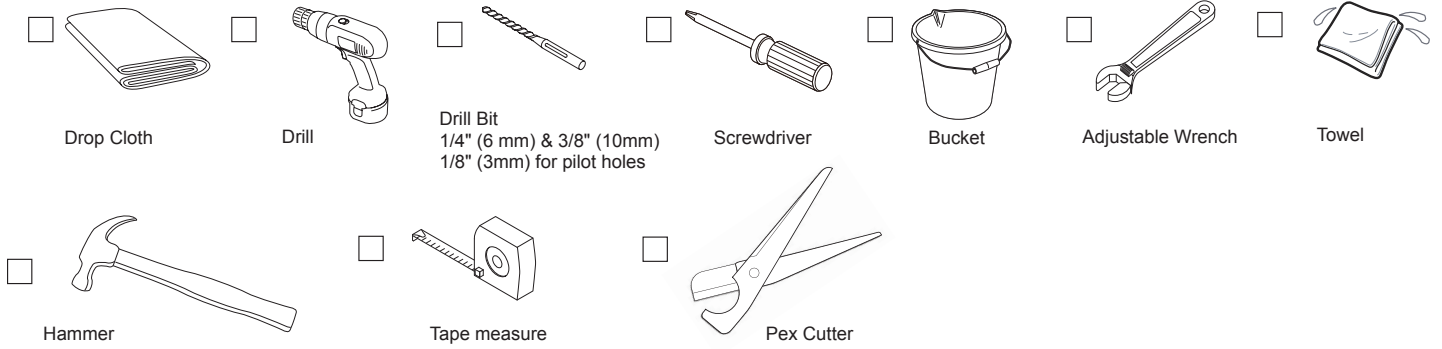
NOTE:

- The daily production rate is measured under 30 psi dynamic influent water pressure and 77 °F (25 °C) water temperature.
- If inlet water pressure exceeds influent water pressure requirement a pressure reducing valve must be installed (to be purchased separately).

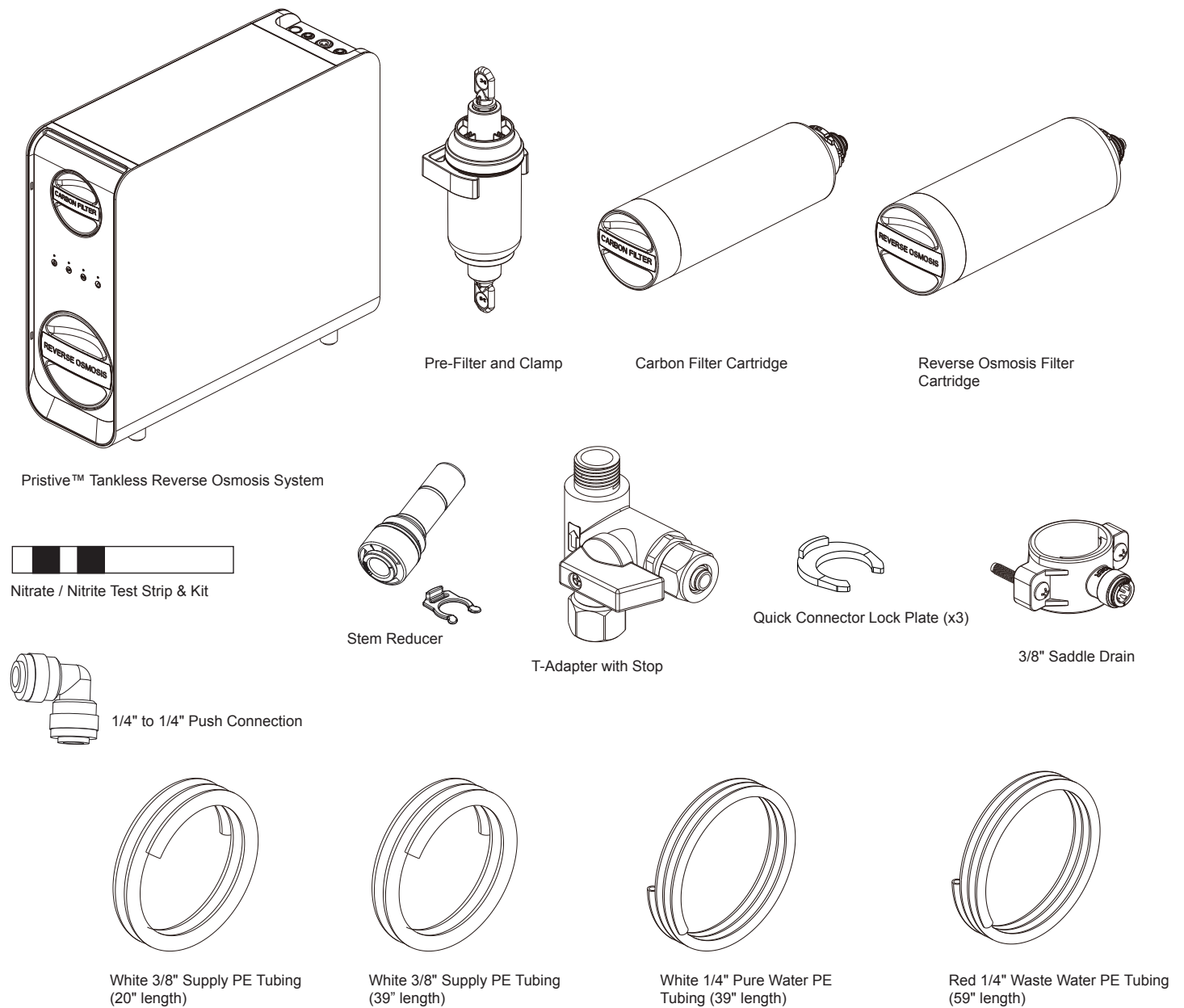
| Influent Water Characteristics | Min | Max | Units |
|--------------------------------|--|-----|---------------------------------|
| Turbidity | 0 | 1 | NTU |
| pH | 4 | 10 | pH |
| Chlorine | Detectable* | 2 | ppm |
| Hardness | 0 | 19 | GPG @ 7.3 pH (per ASSE 1086) |
| Sulfide, Iron, or Manganese | A maximum total level of approximately 0.01 ppm is permissible | | |

- Be sure water conforms with specification guidelines.
- If the water supply conditions are unknown, contact your municipal water company or your local health department for a list of contaminants in your area and a list of laboratories certified by your state to analyze drinking water.
- Operating this device with inlet water condition outside of this specification may reduce proper function resulting in reduction in flow rate, reduction of filtration performance, and/or reduction of filter life.
- Use only genuine Brizo Kitchen and Bath Company replacement filters and components for continued contaminant removal and system performance.

TOOLS AND MATERIALS CHECKLIST



PARTS LIST



1

CONNECT TO THE COLD WATER SUPPLY

The reverse osmosis system must be connected to the COLD-water supply only.
The reverse osmosis unit should be installed vertical on a flat level surface and cannot be hung or mounted after assembly.

⚠ WARNING

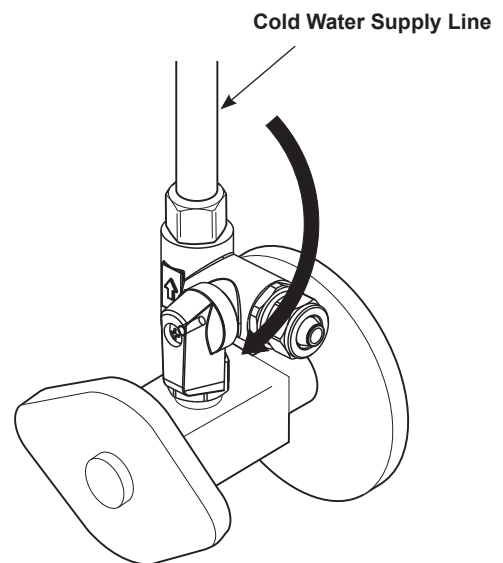
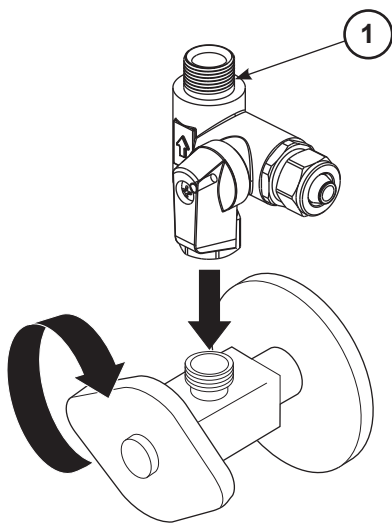
- DO NOT install the system in an area where it will be exposed to sunlight, harmful chemicals, or any place where it may be damaged.
- DO NOT install near a heat source.
- DO NOT install outdoors.

- Shut off the cold water supply then turn on the kitchen faucet (to release water pressure). Make sure water has stopped running before moving to the next step. You may need a bucket or towel to catch any excess water.
- Disconnect the cold water supply line from the cold water supply stop.
- Connect the T-adapter (included with the unit) to the supply stop. Hand tighten, then, using an adjustable wrench, tighten an additional quarter turn. **NOTE:** Do not use plumber's tape or pipe dope on any connections.
- Reconnect the unfiltered cold water supply line (1) to the T-adapter. Hand tighten, then using an adjustable wrench, tighten an additional quarter turn. **NOTE:** Thread carefully to avoid cross threading.
- Gently inspect the hose line to confirm it is securely in place. Make sure T-adapter valve is in the off position.

IMPORTANT

The tubing provided with this system is not designed for use with compression fitting ferrules and should only be used with the provided fittings or push to connect fittings.

If there are check valves installed on your supply stop make sure they are installed between the T-Adapter and the kitchen faucet.

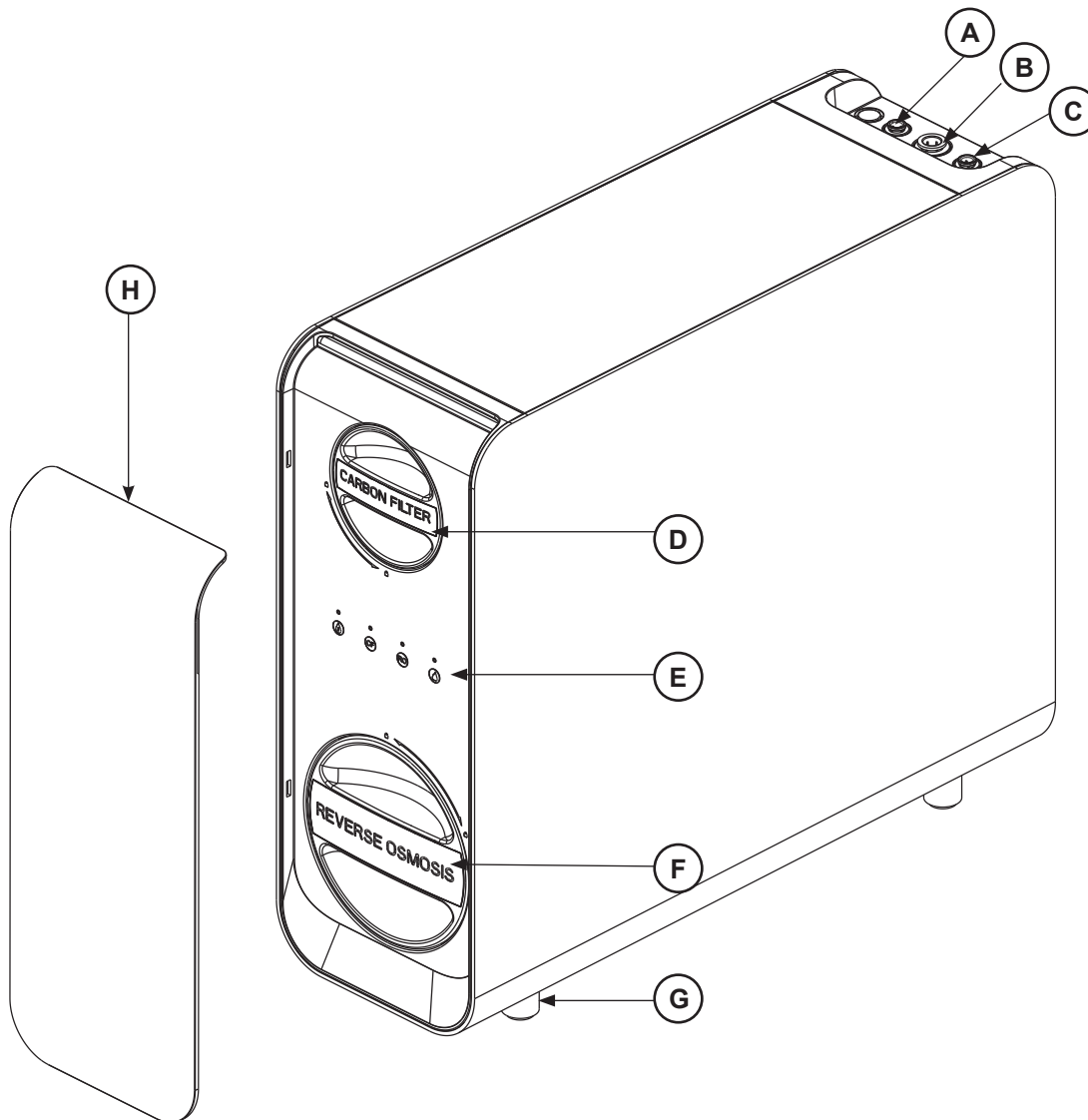


IMPORTANT

If you do not already have a faucet installed STOP here and follow all installation instruction from your faucet manufacturer.

PRODUCT OVERVIEW

Here is a brief introduction of the various parts and features of your reverse osmosis system. Please identify and familiarize yourself with each part for a smooth installation.



| Part | Description |
|------|----------------------------------|
| A | Waste Water Port (1/4" red) |
| B | Input Water Port (3/8" white) |
| C | Pure Water Port (1/4" white) |
| D | Carbon Filter Cartridge |
| E | Display Panel |
| F | Reverse Osmosis Filter Cartridge |
| G | Foot Pad |
| H | Decorative Front Cover |

2

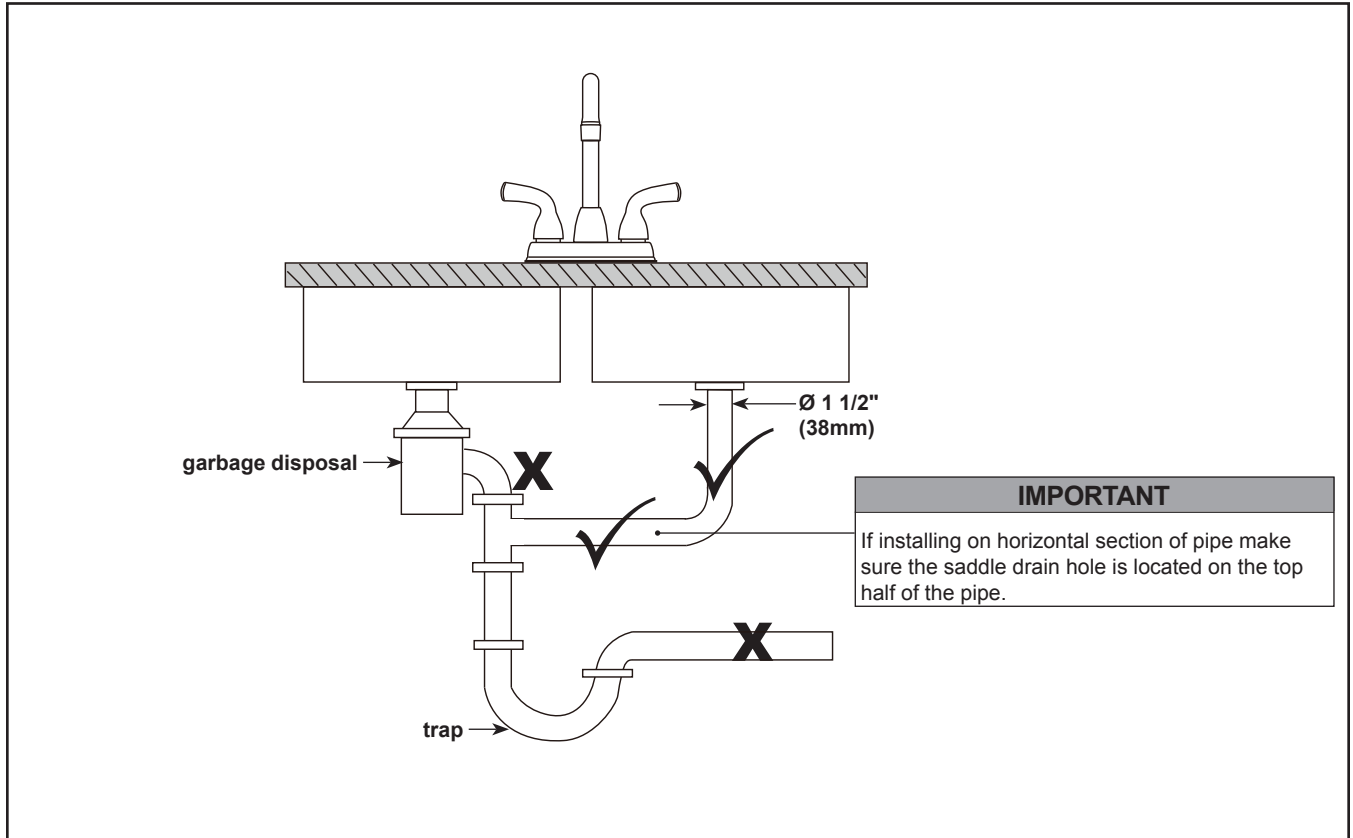
PREPARE THE WASTE-WATER SADDLE DRAIN CONNECTION

The reverse osmosis system requires a waste water connection to be installed, which removes rejected water to the sewer. The provided saddle drain connects the waste water line from the unit to the drain pipe. The saddle drain is designed to fit around a standard 1 1/2" OD (outer diameter) drain pipe.

NOTE: If the system is being installed in a region governed by the UPC or IPC plumbing codes, a UPC or IPC approved drain line adapter should be used. (See Figure 3B)

Always install the saddle drain BEFORE the P-trap. Refer to image to ensure your saddle drain is placed on the appropriate vertical or horizontal section of the pipe.

Do not install the drain saddle to a section of piping that is located after a garbage disposal or dishwasher drain, to avoid clogging.



3

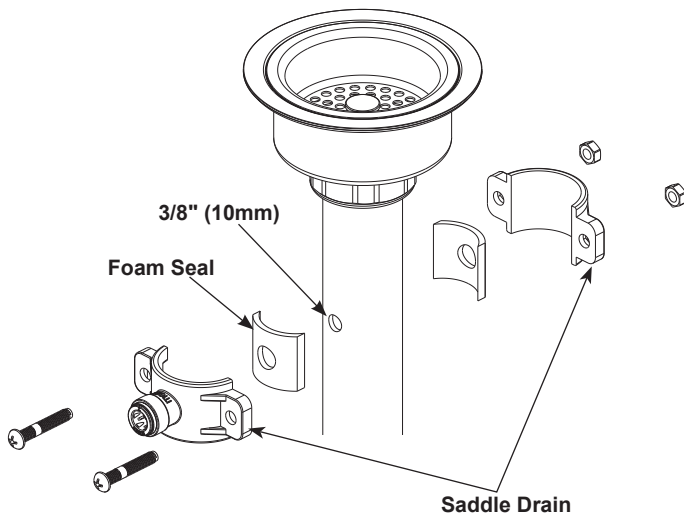
CONNECTING THE SADDLE DRAIN

- Determine the location for the saddle drain and make a mark on the pipe for the opening.
 - NOTE:** if installing on horizontal section of pipe make sure the saddle drain hole is located on the upper half of the pipe.
 - At the marked location drill a 3/8" hole through the wall of the drain pipe.
 - Remove the backing from the foam gasket and align with the hole on the saddle drain. (Stick the adhesive side to the saddle drain).
 - Position both halves of the saddle drain around the drain pipe with the opening aligned with the drilled hole. Use a pencil or straw in the opening to ensure proper alignment.
 - Secure the sides of the saddle drain using the bolts and nuts provided. Do not overtighten.
- TIP:** If your faucet installation comes with an airgap you may not need the stem reducer.

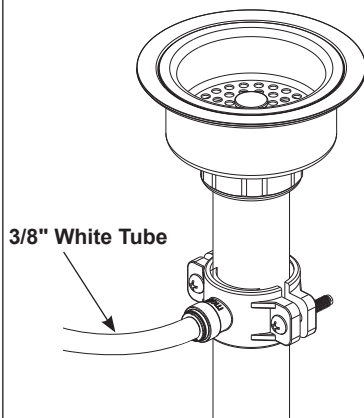
IMPORTANT

Risk of property damage. Do not drill through the opposite side of the drain pipe.

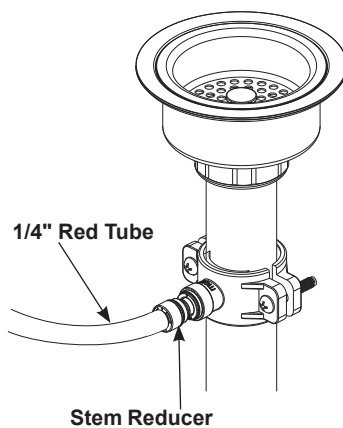
3A. Saddle Connection



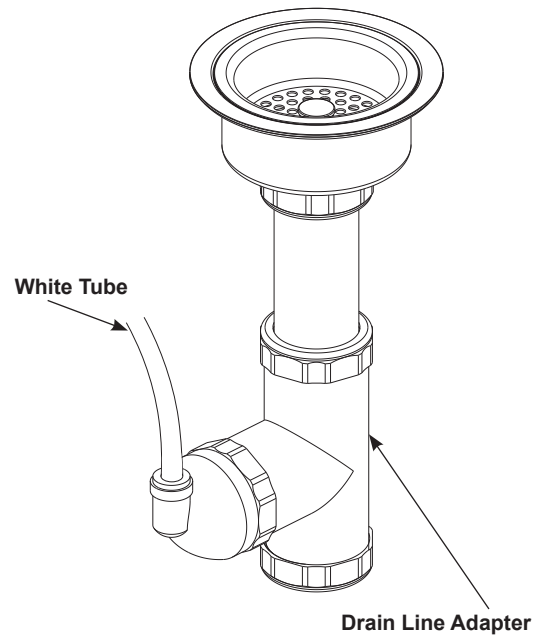
Without Stem Reducer



With Stem Reducer



3B. Drain Line Adapter (not included)



Install based on manufacturer's instructions

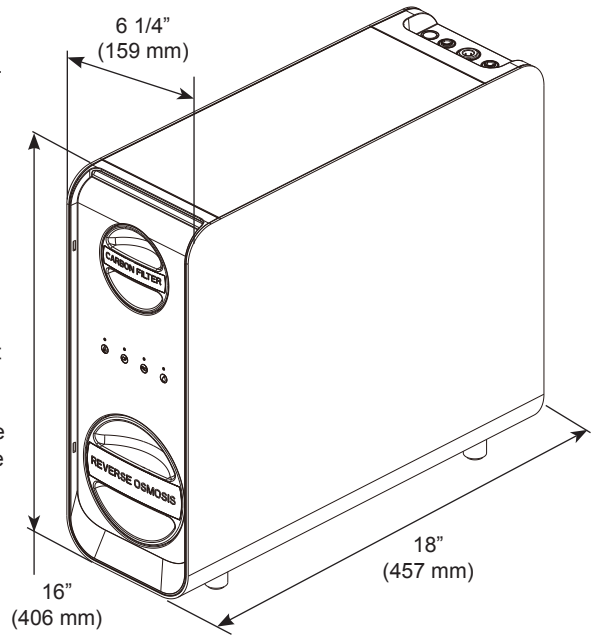
4

REVERSE OSMOSIS HOUSING SET UP

Check to ensure the cabinet has sufficient space to install and service the filtration system (18" x 6 1/4" x 16"). Position the unit so the front panel is facing toward you. This will make viewing the display panel and future filter replacements easy and convenient.

NOTE: It is not recommended to place the unit where it will be in contact with or against the cabinet wall or pipes as there may be soft vibrations while the system operates.

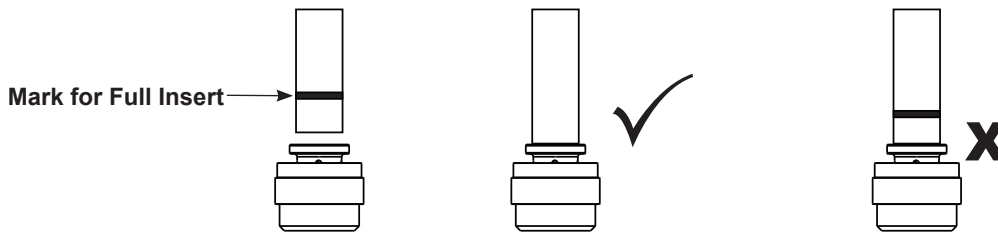
- a. The power-supply receptacle for the appliance shall be installed in a cabinet or on a wall adjacent to the undercounter space in which the appliance is to be installed.
 - There shall be an opening through the partition (if applicable) between the compartments specified in (a) that is large enough for the attachment plug to pass through. The longest dimension of the opening shall not be more than 1 1/2" (38 mm).
 - The edges of the opening specified in (b) shall, if the partition is wood, be smooth and rounded, or, if the partition is metal, be covered with an edge protector (not included) provided for this purpose by the manufacturer.
- b. Exercise care in installing and removing the appliance to reduce the likelihood of damage to the supply cord.
- c. The reverse osmosis unit should be installed vertically on a flat level surface and cannot be hung or mounted after assembly.



IMPORTANT

Failure to install in a vertical upright position on a level surface may cause property damage or failure to function.

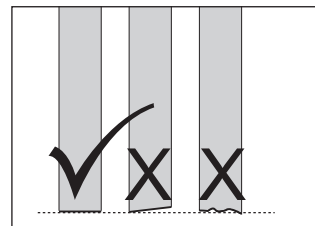
How to use the quick-connect fittings



If the hose or tubing does not already have a depth insertion mark or to complete the install you needed to cut to length, measure 5/8" from the end of the tube and with a marker draw a line around the tube. This will be your depth insertion indicator. Insert tubing until the depth insertion mark is no longer visible.

Custom Fit Connections

- Determine desired length of supply tube, leaving 1"- 2" of extra length to allow for easier installation.
- Cut tube, ensuring it is cut straight and burr free.



IMPORTANT

If you determine the tube lengths are too long for your installation and must be shorter to create an acceptable installation, be sure to plan ahead. When cutting waterline tubing, the installer accepts the responsibility to do so in a way that allows a leak-free joint to be created. Delta Faucet Company is not responsible for tubing that is cut too short or cut in a way that will not allow for a leak free joint. Do not use pipe dope or other sealants on waterline connections.

5

COMPLETE THE INSTALLATION

5A. Inlet water hose

1. Gather both (39" & 20" length) pieces of 3/8" PE hoses (White) and the Pre-Filter.
2. Dry fit the Pre-Filter into the space and identify a good location for mounting. Ensure the location chosen can reach the proper connections. Refer to Figure 1 for orientation.

NOTE: based on your installation space you may use either hose length first but it is recommended to use the longer (39" length) hose to make the connection from (1) to (2) and the shorter (20" length) hose to make the connection from (3) to (4). (see Figure 4)
3. Mark the intended location for the mounting clip using a pencil.
4. Install the mounting clip based of the dry fit location determined in steps 3 & 4.
5. If installing on a wood surface, use a 1/4" drill bit to drill a hole at the determined location. Insert the anchor into the hole. Then install the C-Clip with the provided screw. (see Figure 2)
- TIP:** If you are installing the optional remineralizer stop here and complete the mounting process for the remineralizer before proceeding.
6. Connect end (1) of the 3/8" white PE hose to the T-adaptor valve by unscrewing the nut and sliding the nut onto the hose. Then press fit the hose onto the nipple. Make sure the hose is flush to the bottom of the compression fitting before tightening the nut.

NOTE: Thread carefully to avoid cross threading. (see Figure 3).

TIP: It is recommended to flush the supply line prior to connecting the the Pre-Filter. Use a small bucket to catch the water and quickly flush water through the line by opening and closing the shut off valve on the T-adaptor.
7. Use one end of each 3/8" PE hose (determined in the dry fitting step) to connect to ends (2) and (3) of the Pre-Filter (refer to Figure 4 for proper orientation). Firmly insert the hose into the integrated push connect fittings on the Pre-Filter until the depth insertion indicators are not visible. Then insert quick connector lock plate into slot positions on both sides of the Pre-Filter.

NOTE: Arrow indicates water flow direction.
8. Remove inlet water stop plug. See Figure 4 (4).
9. Connect end (4) into the water inlet port on the reverse osmosis system until the depth insertion mark is not visible. Then insert the quick connector lock-plate into the slot position of the quick connector. (see Figure 4)
10. Check all connections are fully inserted and secure.

Figure 1

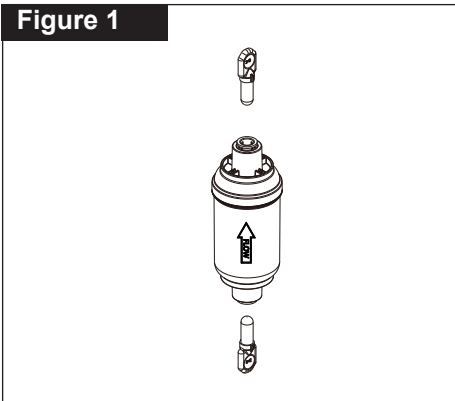


Figure 2

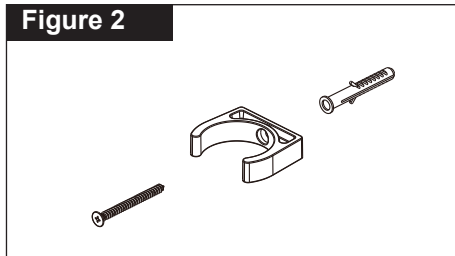


Figure 3

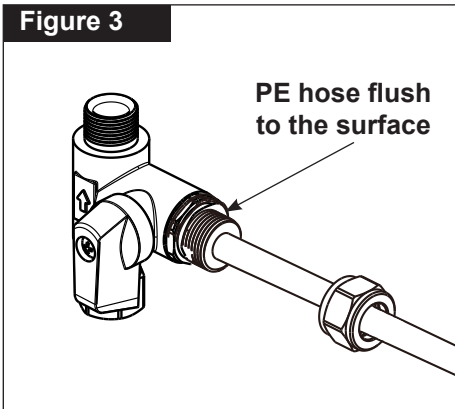
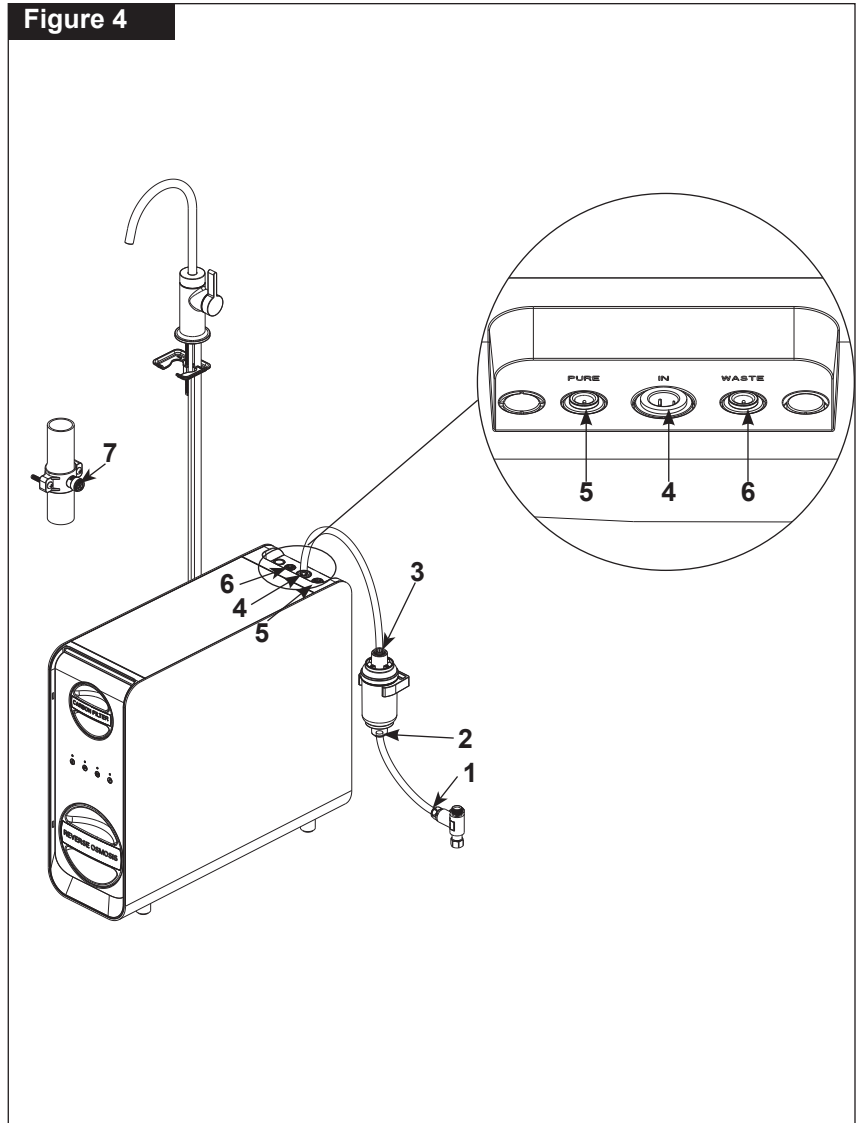


Figure 4



⚠ WARNING

The waste water outlet must be connected to the sewage drain and fixed properly. Do not use a water storage device to collect the waste water to avoid the filtration's automatic flushing sequence. This will cause overflow.

5B. Waste water hose installation:

- For installations with an airgap:
 - If you are using a faucet that contains an air gap please refer to the manufacturer's instructions for installation.

NOTE: For faucets that come with integrated hose lines, you may not need all the tubing provided with your system.
- For installations without an airgap:
 - Insert the stem reducer into the saddle drain connection.
 - Remove waste water stop plug. See Figure 5 (6). Connect one end of the 1/4" red PE waste water line into the waste water outlet port (6) located on the unit. (see Figure 5)
 - Take the remaining end of the 1/4" red PE waste water line and insert it into the saddle drain (7) with the stem reducer installed. (see Figure 5)
 - After hose is fully inserted use the quick connector lock plate at the slot position of the quick connector. (see Figure 6)

Figure 5

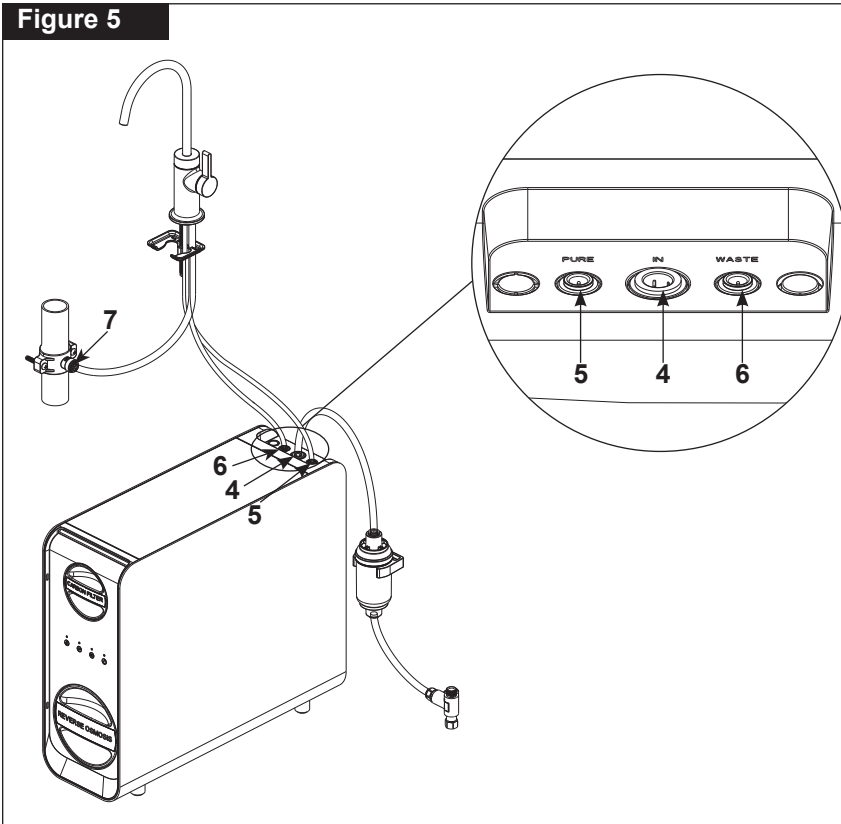
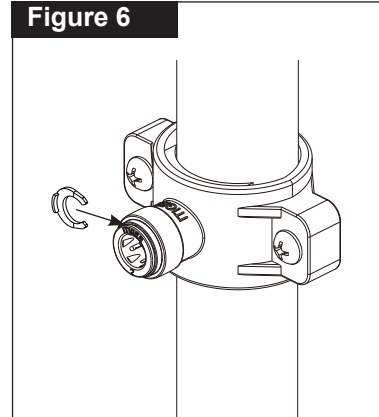


Figure 6



5C. Purified water hose installation:

- For faucets without integrated hose lines:
 - Remove pure water stop plug. See Figure 5 (5). Using the 1/4" PE white hose insert one end into the purified water outlet (5) on the filtration device. (see Figure 5). Then insert quick connector lock plate into the slot position.
 - Then connect the remaining end of the 1/4" PE white hose to your faucet. Refer to the manufacturer's instructions for proper installation.
- For faucets with integrated hose lines:
 - Remove pure water stop plug. See Figure 5 (5). If you are using a faucet that contains integrated hose lines please refer to your manufacturer's instructions for installation to the purified water outlet (5) on the filtration device. (see figure 5).

NOTE: For faucets that come with integrated hose lines, you may not need all the tubing provided with your system.

 - After the hose is secure, insert the quick connect lock plate into the slot position of the quick connector. (see Figure 6)
 - For faucets with integrated hose lines that do not extend far enough to reach the unit with, you may need the 1/4" to 1/4" push connect adapter to extend the hose line.

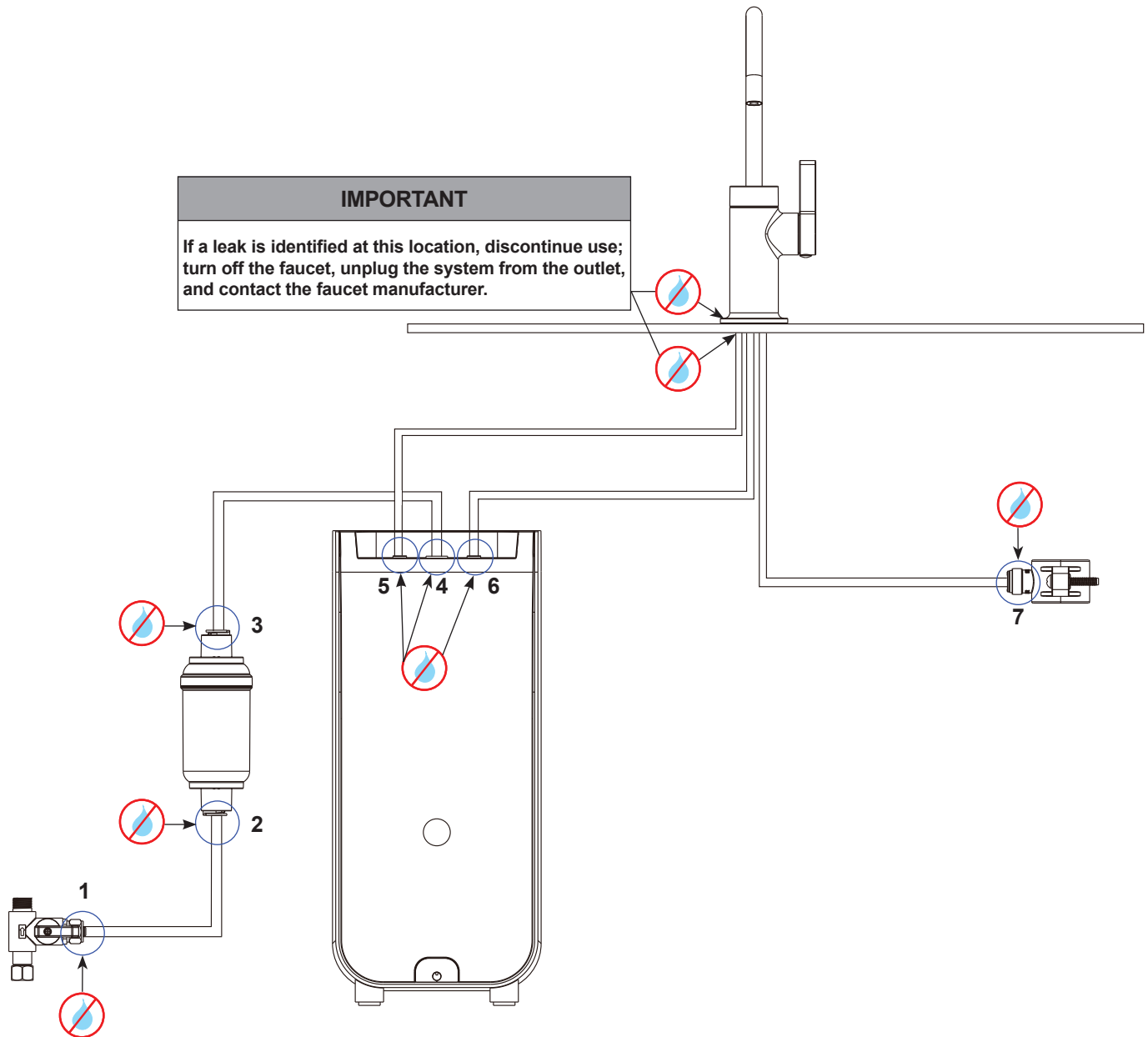
5D. START UP THE FILTRATION SYSTEM

1. Ensure all water connections are completed as described in the installation section.
2. Check that the filters are installed and locked into place. Refer to Figure 1 of the filter cartridges replacement section for proper orientation.
NOTE: You should feel a click when the filter cartridges are fully inserted.
3. Make sure the beverage faucet handle is in the closed position.
4. Turn on cold water supply & open the T-adapter shut off valve to the inlet water line.
5. Plug in the power cord to the outlet. The unit will begin a 5 minute auto flushing sequence.

NOTE: The minimum power required for this unit is 80W; Ensure outlet has proper power to safely operate the unit. Visit the troubleshooting section if there are power supply issues.

After all connections are made, visually inspect the system to ensure no water is leaking (Refer to the below system diagram for inspection points).

After you are sure there are no leaks at any of the connections, proceed to the FIRST USE section before using your system.



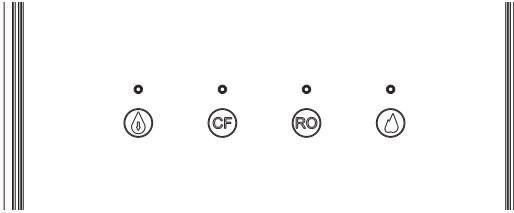
6

FIRST USE

Flushing

1. Turn the faucet handle to open to begin the manual flush of the system.
2. Flush the filter cartridges for approximately 30 minutes to break in the filters before drinking.
NOTE: During flushing, the water filtering light flashes blue, and after flushing is complete, the water filtering light will remain on. When not in use the water filtering light will turn off.
3. During the flushing sequence it is important to monitor the system carefully. Visually inspect for leaks and check the sealing between all components of the system. **TIP:** Use a tissue to wipe each connection down and check if there is any moisture on the tissue paper.
4. After completion of the manual flushing sequence, you may turn off the faucet. If there are no leaks, your system is ready to use!

NOTE: During the flushing process, if the user closes the pure water outlet of the faucet, it will continue to execute the flushing sequence in next power on.



DISPLAY PANEL

FIRST BOOT: After power on, the buzzer beeps for 0.1 seconds and various types of display lights light up simultaneously. Each indicator lights up in sequence of statuses (blue, purple, and red) for approximately 1 second, while the monochrome light stays on for 3s.

IN USE: When in use, the water filtering light turns blue and remains on while purifying the water.

STANDBY: The water filtering light will be off but all other lights will continue to display filter performance.

FLUSHING: For the life of your product, your system will perform routine flushes. During the flushing sequence the filtered water light will be flashing.

- Approximately 5 minutes after use, the reverse osmosis system will perform a self cleaning flush of the system.
- After 2 hours of accumulated use, the reverse osmosis system will commence a flushing sequence. This will take approximately 20 seconds.
- After 12 hours without use, a cleaning flush sequence will begin and last approximately 60 seconds.

NOTE: If during the flushing sequence you use the filtered water, the unit will stop the flushing cycle and provide clean water.

POWER ON: After loss of power, a buzzer will beep once and various types of display lights will turn on. Unit will perform an abbreviated flush for approximately 20 seconds.

REPLACEMENT REMINDER

The filter life indicators on the front display panel will help you identify when it is time to perform a routine filter replacement. The below chart outlines the light color and sound associated with each status of filter life.

DISPLAY STATUS:

| Status | Remaining life (days) | Remaining capacity (G) | Light | Sound |
|--------------|-----------------------|------------------------|--------|-----------------------------------|
| Normal | >21 | >53 | Blue | N/A |
| Replace soon | ≤21 | ≤53 | Purple | Beeps twice when dispensing water |
| Replace now | ≤0 | ≤0 | Red | Beeps when dispensing water |

*** Indicators will notify you of filter replacement by approximate volume usage or time. Whichever comes first.**

CARE AND MAINTENANCE

Actual service life of filter cartridges may differ depending on local water quality.

If the filter cartridge is blocked or fails prematurely, replace the filter cartridge.

If the filtration system is not used for more than a ONE MONTH (meaning the unit will not have power or the water will be shut off), remove the Carbon Filter & Reverse Osmosis Filter cartridges and seal with cling film or in a plastic bag. Then store in the refrigerator to reduce the growth of bacteria.

DO NOT put in freezer. You do not need to disconnect the Pre-Filter during long term storage.

If for any reason you disconnect the Pre-Filter and leave idle it is recommended to replace immediately.

To properly prepare your system for long term storage:

- Open the water faucet.
- Shut off the water source from the T-adapter connection.
- Wait till water has been cleared from the system.
- Unplug the unit from the power source.
- Turn off water faucet.

When restarting up the system, it is necessary to perform a manual flush. Install the filters and run water through the reverse osmosis system for 10 minutes before using the filter water. Otherwise, the filter cartridges need to be replaced before use.

REVERSE OSMOSIS FILTER AND CARBON FILTER CARTRIDGE REPLACEMENT

1. Ensure the water faucet is turned off and the indicator light reflects standby mode (not on or blinking).
 2. Grip the handle and rotate the filter cartridge counter clockwise.
 3. Pull cartridge out of the unit.
- NOTE:** Due to the pressure relief you may see a few drops of water when removing the cartridge. To minimize water drops, keep the filter upright and handle end down.
4. Remove protective cap from the fitting end of the filter. Insert the new filter replacement into the filtration unit with the fitting end first. (see Figure 1)
 5. Rotate the cartridge clockwise while applying slight pressure until the cartridge locks into place.
- NOTE:** Cartridge must be rotated to the horizontal position.
6. Repeat 2 through 5 for other filter.
 7. Press and hold the CF filter life indicator for 5 seconds. Once complete, the indicator light will turn blue and there will be 1 beep. Immediately press and hold the RO filter life indicator for 5 seconds. Once complete, the indicator light will turn blue and there will be 1 beep. An automated flush will begin, lasting approximately 5 minutes.
 8. Turn on the faucet and perform a system flush for 30 minutes after the new carbon filter and reverse osmosis cartridges are installed.
 9. Your water is ready to use!

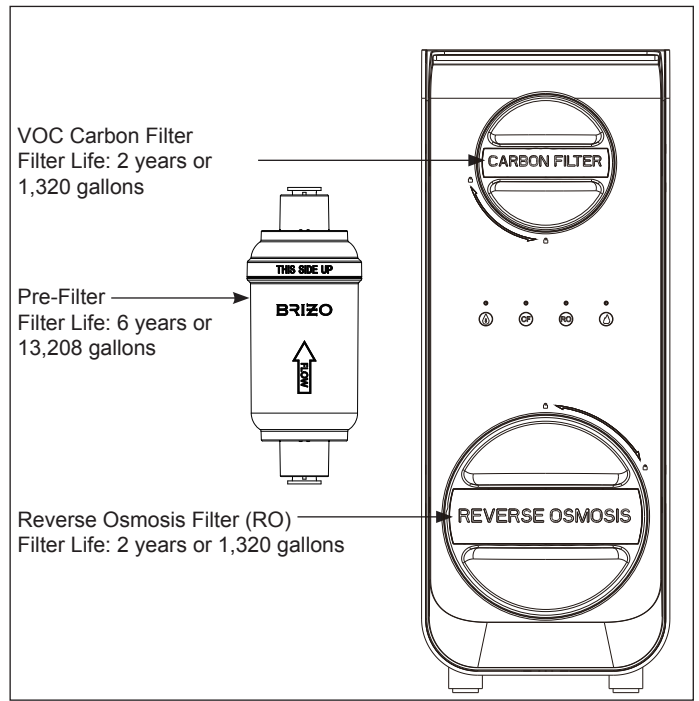
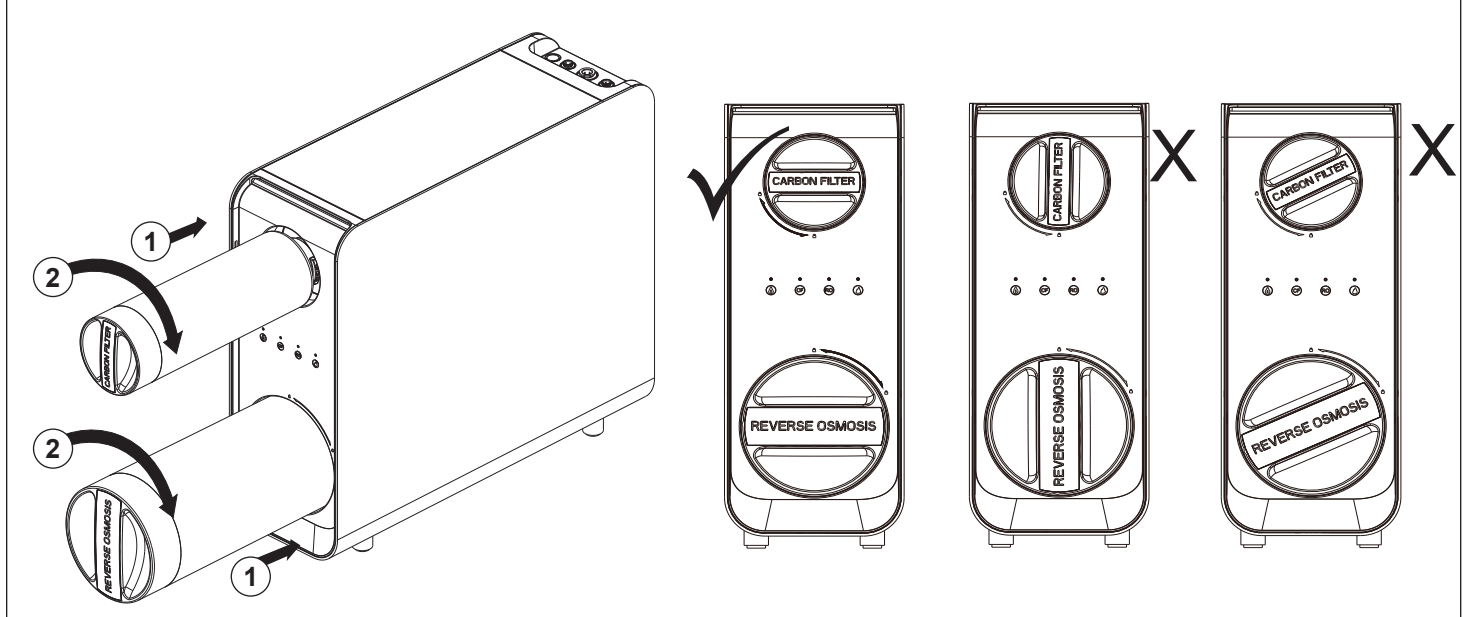


Figure 1



PRE-FILTER REPLACEMENT

1. Shut off water supply at the cold water connection. (see Figure 1)
2. Turn on kitchen faucet to dispel water and depressurize the line.
3. Unplug the unit from power supply.
4. Remove the quick connect lock plate from filter end. (see Figure 2). Hold the white ring down against the connector body while pulling the tubing outward. Repeat step 4 for other end.
5. Visually inspect the hose ends for burrs or damage.
6. Take the new filter and remove the seal plugs. (see Figure 3)
7. Ensure proper orientation (see Figure 4) and insert the hoses back into the push connect fittings.
8. Confirm the depth insertion indicators are not visible and there are no kinks in the line. After hose is secure, insert the quick connect lock plate into the slot position of the quick connector. (see Figure 5)
9. Turn the water supply back on and plug the unit back into the power supply.
10. Visually inspect for leaks as the unit starts back up.
11. Pre-Filter is ready to use!

Figure 1

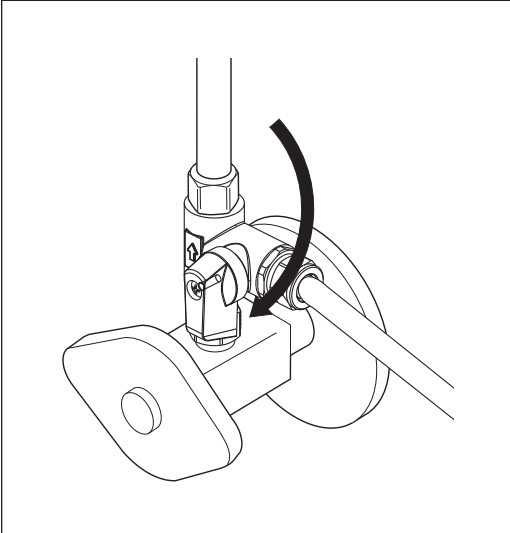


Figure 2

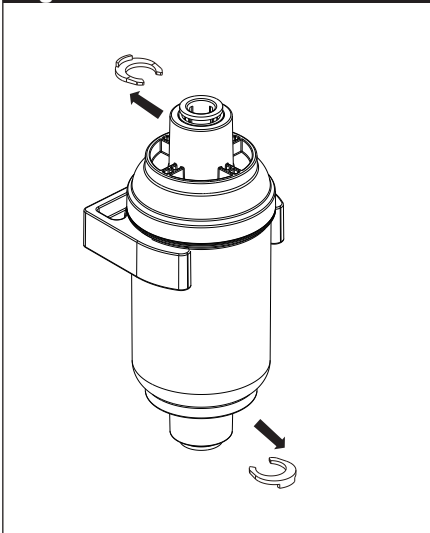


Figure 3

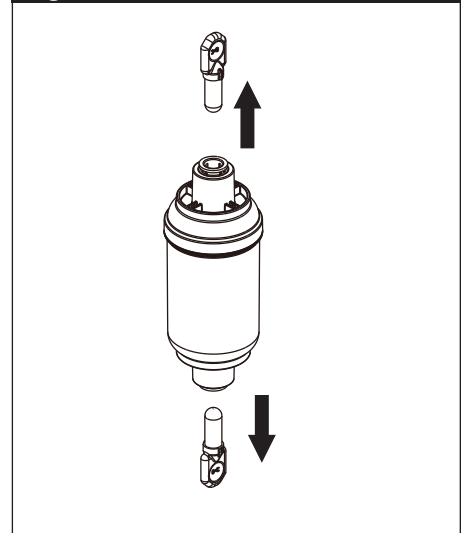


Figure 4

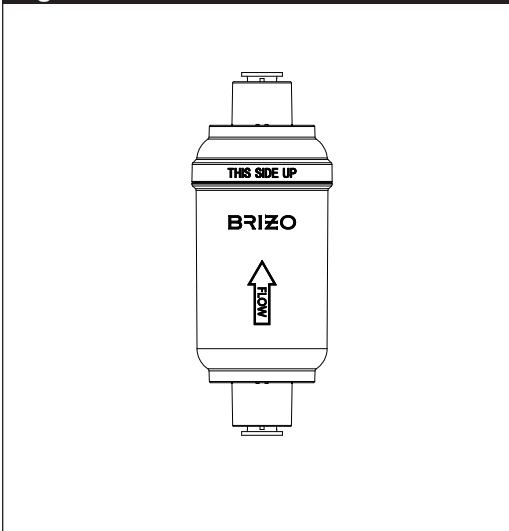
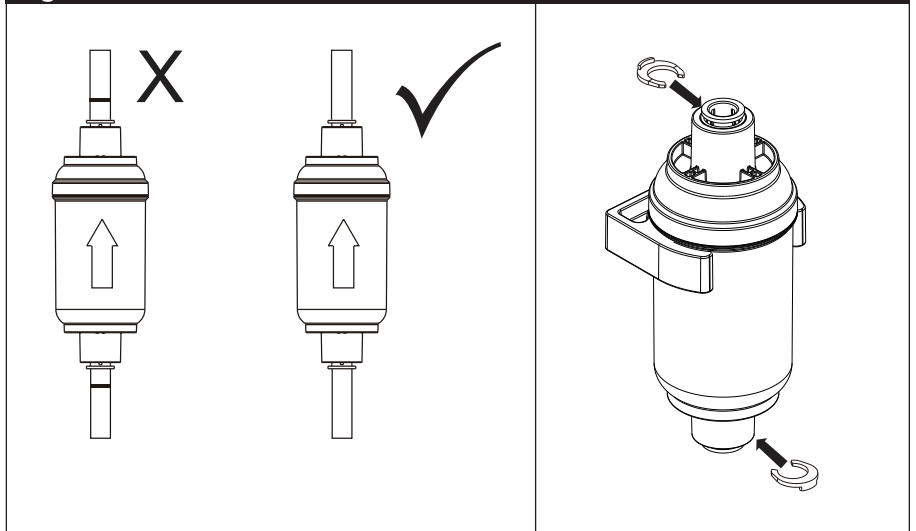


Figure 5



TROUBLESHOOTING GUIDE
Call us at 1-877-345-BRIZO (2749)

| Problem | Probable cause | Solution |
|---|---|--|
| Noise during use | <ul style="list-style-type: none"> • The unit will generate a soft noise during operation. • The unit is resting against a pipe. • Unit is not level. | <ul style="list-style-type: none"> • This is normal. • Move the unit away from the cabinet wall and pipes. • Position the unit on a flat level surface. |
| Beeping during use | <ul style="list-style-type: none"> • The reverse osmosis unit will notify you when the filters are reaching the end of their life. You may hear moderate beeping coming from the unit while in use. | <ul style="list-style-type: none"> • Replace filter cartridges. (Refer to page 14 for additional details) |
| Beeping after more than 30 minutes of continuous use. | <ul style="list-style-type: none"> • If the run time exceeds 33 minutes a time-out protection mode will execute. (The unit will stop beeping, the water filtration light will turn off, and the filter life indicators will flash red). • Incorrect hose installation. • If you did not turn on the faucet for longer than 33 minutes; there may be a leak between the unit and your faucet (or water dispensing device). • If you did not turn on the faucet for longer than 33 minutes; and were unable to identify a leak. | <ul style="list-style-type: none"> • Unplug and plug back in the unit. • Confirm faucet supply line is installed to the correct outlet on the unit. • Visually inspect all plumbing and for leaks. • Contact our customer service. |
| Water tastes like tap water. | <ul style="list-style-type: none"> • Incorrect hose installation. • Filter cartridges need to be replaced. | <ul style="list-style-type: none"> • Confirm faucet supply line is installed to the correct outlet on the unit. • Order new filters and replace as soon as possible. |
| There is a water leak. | <ul style="list-style-type: none"> • Incorrect installation <ul style="list-style-type: none"> • Push connect fittings (review instructions for straight cuts). • Threaded connections. • Damaged component. | <ul style="list-style-type: none"> • Visually inspect all user made connections. • Turn off the water & power supply. Visually inspect all components for water. Contact our customer service. |
| The system does not dispense water | <ul style="list-style-type: none"> • System is on and attempting to pump water; no water is being dispensed. <ul style="list-style-type: none"> • The system's filter life indicators are flashing. Red with beeping: Water is inside the unit (the water filtration light will turn off, and the filter life indicators will flash red. A beeping sound will notify the user of water sensed within the unit for more than 3 seconds). • Stuttering (starting and stopping frequently). | <ul style="list-style-type: none"> • Verify the cold-water supply valve and the T-adapter are in the OPEN position. • System's filter life indicators: <ul style="list-style-type: none"> • Was there a spill? If while changing or installing the hoses water spilled on or inside the unit, take a towel and wipe up the excess water. For water inside the system tilt forward to drain out the water. After, water is cleared out, the system will resume normal function. • If alarm continues after water has been cleared out, contact our customer service. • Unplug/plug back in. |
| Use with refrigerator | <ul style="list-style-type: none"> • Some applications with a refrigerator will cause a stuttering as it attempts to dispense filtered water. | <ul style="list-style-type: none"> • You may need to install an accumulator in line to the filtered water to alleviate the stuttering. If available consult you refrigerator owner's manual, for installing a reverse osmosis system to your water dispenser. If additional help is needed please contact customer service. |

| | | |
|---|--|---|
| <p>There is no power to the unit.</p> | <ul style="list-style-type: none"> • Outlet intended for unit does not have power. • GFCI has tripped. • Circuit is overloaded. • Damage to the unit. | <ul style="list-style-type: none"> • Verify outlet has power or power is turned on (for those on a switch). • Reset GFCI outlet; if the problem continues, contact a licensed electrician. • Having too many appliances on the same circuit can trip the circuit breaker. • Confirm unit has power by plugging into a working outlet. If unit cannot be turned on contact customer service. |
| <p>The is no water or low flow rate from the RO faucet.</p> | <ul style="list-style-type: none"> • Filter needs to be replaced (check the filter life indicators to confirm if filter needs changed). • The water supply valves are not fully in the OPEN position. • Low water pressure or low water temperature. • A hose is restricted. • Pre-Filter has become clogged. | <ul style="list-style-type: none"> • Replace the filters. • Check the cold water shut-off valve, T-adaptor valve, and the faucet to ensure they are FULLY OPEN. • Check to confirm the water pressure is within the feed water pressure specification (pg 3). NOTE: Low water pressure and temperature can contribute to a variation in flowrate. • Visually inspect all hoses for crimps or kinks in the line. Unkink or replace hose as needed. • To unclog the Pre-Filter, temporarily reverse the flow: Refer to Pre-Filter replacement section (pg 16) to uninstall then proceed to flush the Pre-Filter. Reconnect (do not connect to unit, run water to a bucket), then flush the filter for approximately 5-10 seconds (turn water on slowly). Return the Pre-Filter to its original position referring to the flow direction arrow. Confirm that waterflow has returned to normal. |
| <p>Water temperature is below (°F) 3°C</p> | <ul style="list-style-type: none"> • If the inlet or outlet water temperature drops below 37°F (3°C) the system will perform an automatic shut down procedure. (The water filtration light will turn off, and the filter life indicators will flash red. A beeping sound will notify the user). | <ul style="list-style-type: none"> • After water temperature returns to normal (above 37°F (3°C)) unplug and plug back in the unit. |
| <p>Unit indicator shows High TDS</p> | <ul style="list-style-type: none"> • The system has not been used for an extended period of time. • The source water may have higher TDS. • Damaged filter. • Incorrect hose installation. | <ul style="list-style-type: none"> • Perform a manual flush of the whole system for approximately 10 minutes and the TDS should return to normal. • Test the source water and filtered water. Filtered water TDS shall be approximately 5-10% of your source water's TDS. If the source water TDS is high it may reduce the service life of your filter. Perform routine filter replacement if filtered water TDS exceeds 15-20%. • Replace the filters. • Confirm faucet supply line is installed to the correct outlet on the unit. |

Limited Warranty on Brizo® Water Filtration Systems

This Brizo® water filtration system is warranted to the original consumer purchaser or commercial user, as applicable, to be free from defects in material and workmanship for the applicable period specified below:

Water Filtration Machines, Housings, and Components: Five (5) years from the date that the product is received by the original consumer purchaser or their authorized representative (installation contractor, etc.).

Filter Cartridges (including Pre-Filters, Remineralizer, and Replacements): Thirty (30) days from the date that the product is received by the original purchaser or their authorized representative (installation contractor, etc.).

What We Will Do: Brizo Kitchen and Bath Company will repair or replace, free of charge, during the applicable warranty period (as described above), any part that proves defective in material and/or workmanship under normal installation, use and service. Brizo Kitchen and Bath Company may, in its sole discretion, use new, refurbished or recertified parts or products for such repair or replacement. If repair or replacement is not practical, Brizo Kitchen and Bath Company may elect to refund the purchase price (the return of the product may be required at Brizo Kitchen and Bath Company's option). **These are your exclusive remedies.**

What Is Not Covered: Because Brizo Kitchen and Bath Company is unable to control the quality of Brizo products sold by unauthorized sellers, unless otherwise prohibited by law, this warranty does not cover Brizo products purchased from unauthorized sellers.

Any labor charges incurred by the purchaser to repair, replace, install or remove this product are not covered by this warranty. Brizo Kitchen and Bath Company shall not be liable for any damage resulting from reasonable wear and tear, outdoor use, misuse (including use of the product for an unintended application), abuse, neglect or improper or incorrectly performed installation, maintenance or repair, including failure to follow the applicable care and cleaning instructions. Brizo Kitchen and Bath Company recommends using a professional plumber for all installation and repair. We also recommend that you use only genuine Brizo® replacement parts.

What You Must Do To Obtain Warranty Service or Replacement Parts: A warranty claim may be made and replacement parts may be obtained by calling 1-877-345-2749 or by contacting us by mail or online as follows (please include your model number, date of original purchase and documentation of the date of receipt of the product by the original purchaser or their authorized representative (installation contractor, etc.)):

In the United States:

Brizo Kitchen and Bath Company

55 E. 111th Street

Indianapolis, IN 46280

Attention: Warranty Service

<https://www.brizo.com/customer-support/contact-us>

Proof of purchase (original sales receipt showing purchase date) and documentation of the date of receipt of the product by the original purchaser or their authorized representative (installation contractor, etc.) must be made available to Brizo Kitchen and Bath Company for all warranty claims unless the purchaser has registered the product with Brizo Kitchen and Bath Company. This warranty applies only to products that are installed in the United States of America.

Limitation on Duration of Implied Warranties. Please note that some states do not allow limitations on how long an implied warranty lasts, so the below limitations may not apply to you. TO THE MAXIMUM EXTENT PERMITTED BY APPLICABLE LAW, ANY IMPLIED WARRANTY, INCLUDING THE IMPLIED WARRANTIES OF MERCHANTABILITY AND OF FITNESS FOR A PARTICULAR PURPOSE, IS LIMITED TO THE STATUTORY PERIOD OR THE DURATION OF THIS WARRANTY, WHICHEVER IS SHORTER.

Limitation of Special, Incidental or Consequential Damages. Please note that some states do not allow the exclusion or limitation of special, incidental or consequential damages, so the below limitations and exclusions may not apply to you. TO THE MAXIMUM EXTENT PERMITTED BY APPLICABLE LAW, THIS WARRANTY DOES NOT COVER, AND BRIZO KITCHEN AND BATH COMPANY SHALL NOT BE LIABLE FOR ANY SPECIAL, INCIDENTAL OR CONSEQUENTIAL DAMAGES (INCLUDING LABOR CHARGES TO REPAIR, REPLACE, INSTALL OR REMOVE THIS PRODUCT), WHETHER ARISING OUT OF BREACH OF ANY EXPRESS OR IMPLIED WARRANTY, BREACH OF CONTRACT, TORT, OR OTHERWISE. BRIZO KITCHEN AND BATH COMPANY SHALL NOT BE LIABLE FOR ANY DAMAGE RESULTING FROM REASONABLE WEAR AND TEAR, OUTDOOR USE, MISUSE (INCLUDING USE OF THE PRODUCT FOR AN UNINTENDED APPLICATION), ABUSE, NEGLIGENCE OR IMPROPER OR INCORRECTLY PERFORMED INSTALLATION, MAINTENANCE OR REPAIR, INCLUDING FAILURE TO FOLLOW THE APPLICABLE INSTALLATION, CARE AND CLEANING INSTRUCTIONS. OUR ENTIRE LIABILITY FOR ANY BREACH OF THIS LIMITED WARRANTY SHALL UNDER NO CIRCUMSTANCES EXCEED THE ACTUAL AMOUNT PAID BY YOU FOR THE DEFECTIVE PRODUCT.

Additional Rights: This warranty gives you specific legal rights, and you may also have other rights which vary from state to state.

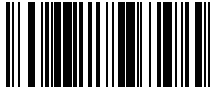
This is Brizo Kitchen and Bath Company's exclusive written warranty and the warranty is not transferable.

If you have any questions or concerns regarding technical support, installation or our warranty, please contact us as provided above or visit our website at www.brizo.com.

© 2024 Masco Corporation of Indiana

BRIZO®

116035



X00116035

SISTEMA DE INVERSIÓN SIN TANQUE PRISTIVE™ SISTEMA DE OSMOSIS

Model Number: BWQ1001012

Fecha de compra: _____

Regístrese en línea
www.brizo.com/customer-support/product-registration



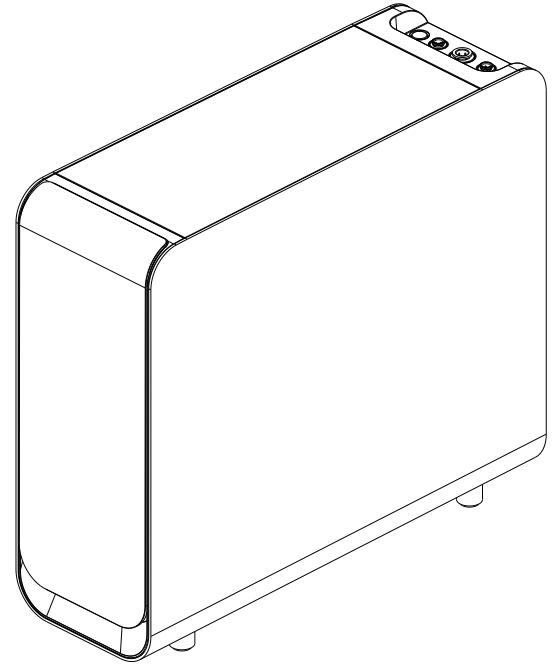
1-877-345-BRIZO (2749)
www.brizo.com/customer-support

Lea todas las instrucciones antes de la instalación.

⚠ ATENCIÓN

Si no se leen estas instrucciones antes de la instalación, pueden producirse lesiones personales, daños materiales o fallas del producto. El fabricante no asume ninguna responsabilidad por fallas del producto debidas a una instalación incorrecta.

Para consultar las piezas de repuesto y acceder a otros documentos técnicos e información sobre el producto, visite www.brizo.com



ESCANEE PARA ACCEDER A LA FICHA DE DATOS DE RENDIMIENTO

O visite www.brizo.com/pristive-tankless-spec



Este sistema ha sido certificado por IAPMO R&T conforme con: las normas ASSE 1086, NSF/ANSI 372, 42, 53, 58, 401 y protocolo P231 para la reducción de sustancias en declaraciones de rendimiento específicas, según lo verificado y corroborado por datos de prueba. Consulte la ficha de datos de rendimiento para obtener más información.

¡NO DESECHAR!

Para su consulta en aras del mantenimiento a largo plazo. Para su tenencia por el propietario del sistema.

Antes de empezar: lea todas las instrucciones antes de utilizar este aparato

Lea y comprenda este manual en su totalidad para evitar lesiones personales o daños materiales durante la instalación y el uso de este producto. Compruebe todos los requisitos del código de plomería local antes de la instalación y siga sus pautas al instalar este sistema de filtración de agua.

ADVERTENCIA

No utilizar con agua microbiológicamente insegura o de calidad desconocida sin una desinfección adecuada antes o después del sistema. Los sistemas certificados para la reducción de quistes pueden utilizarse con agua desinfectada que pueda contener quistes filtrables.

ADVERTENCIA

Este sistema es para uso en suministros de agua que han sido tratados según las normas de los sistemas públicos de agua. Este sistema ha sido probado para demostrar una reducción eficaz de las microcistinas. No obstante, en caso de que se informe la presencia de una cianotoxina en su suministro de agua, siga las recomendaciones de la autoridad responsable del agua potable. En el agua potable puede haber otras cianotoxinas que es posible que no sean reducidas eficazmente por este sistema.

ADVERTENCIA

No permita que niños menores de 3 años tengan acceso a piezas pequeñas durante la instalación de este producto.

Arsénico

El arsénico (abreviado As) se encuentra de forma natural en algunas aguas de pozo. El arsénico en el agua no tiene color, sabor ni olor. Se mide mediante una prueba de laboratorio. Las empresas públicas de suministro de agua deben realizar análisis para detectar la presencia de arsénico. Puede obtener los resultados en su empresa de suministro de agua. Si tiene un pozo propio, puede pedir que analicen el agua. El departamento de salud local o la agencia estatal de salud ambiental pueden entregar una lista de laboratorios certificados. Puede encontrar información sobre el arsénico en el agua en el sitio web de la Agencia de Protección Ambiental (Environmental Protection Agency, EPA) de EE. UU.: epa.gov/safewater/arsenic. Este sistema ha sido probado para el tratamiento de aguas que contienen arsénico pentavalente (también conocido como As(V), As(+5) o arseniato) en concentraciones de 0.3 mg/l o inferiores. Este sistema reduce el arsénico pentavalente, pero es posible que no elimine otras formas de arsénico. Este sistema debe utilizarse en suministros de agua que contengan un residuo de cloro libre detectable o en suministros de agua que se haya demostrado que solo contienen arsénico pentavalente. El tratamiento con cloramina (cloro combinado) no es suficiente para garantizar la conversión completa del arsénico trivalente en arsénico pentavalente. Para obtener más información, consulte la sección Datos sobre el arsénico de la ficha de datos de rendimiento.

* Si el agua que recibe tiene concentraciones de arsénico superiores a 100 ppb o 0.1 mg/l, se recomienda cambiar el cartucho del filtro de carbón cada 6 meses para mantener el máximo rendimiento del sistema de ósmosis inversa.

Kit de prueba de nitrato y nitrito:

Esta prueba detecta nitrato y nitrito medidos como N (nitrógeno). Los nitratos y nitritos llegan al agua potable a través de los fertilizantes agrícolas, los residuos industriales y biológicos y los depósitos minerales de formación natural. Su presencia puede ser, a menudo, señal de la presencia de otros contaminantes en el agua. Para obtener más información, visite <https://www.epa.gov/dwreginfo/chemical-contaminant-rules>.

La EPA establece el nivel máximo de contaminantes (Maximum Contaminant Level, MCL) de nitrato en 10 ppm y de nitrito en 1 ppm. Los niveles de nitrito por encima del límite de la EPA pueden ser un indicador de la presencia de bacterias.

- Nitrato total (NO₃-N)
MCL según la EPA = 10 ppm de nitrato como N
Nitrato (como NO₃)
- Nitrito total (NO₂-N)
MCL según la EPA = 1 ppm de nitrito como N
Nitrito (como NO₂)

PROCEDIMIENTO DE PRUEBA:

Extraiga una tira reactiva del paquete de aluminio y, con una muestra del tamaño de un vaso, sumerja la tira durante 2 segundos. Retire con las bases hacia arriba.

NO SACUDA EL EXCESO DE AGUA.

Espere 60 segundos y compare de inmediato con la tabla de colores suministrada con el kit de prueba. Complete la combinación de colores en 60 segundos.

- Mantenga los dedos mojados fuera del paquete de aluminio.
- Guarde en un lugar fresco y seco.

Este sistema es aceptable para el tratamiento de concentraciones influentes de nitrato o nitrito de no más de 27 mg/l de nitrato y 3 mg/l de nitrito en combinación medidos como N, y está certificado para la reducción de nitrato o nitrito solo para suministros de agua con una presión de 50 PSI o mayor.

* Este sistema se suministra con un kit de prueba de nitrato o nitrito para evaluar el agua al momento de la instalación; sin embargo, para el mantenimiento continuo, se debe supervisar periódicamente el agua y volver a analizar cada 6 meses.

* Compruebe la fecha de caducidad de sus tiras reactivas; si están caducadas, póngase en contacto con el servicio de atención al cliente para que se las cambien.

**ADVERTENCIA****Asegúrese de cumplir todos los códigos locales y estatales aplicables****ADVERTENCIA**

- No todos los contaminantes o sustancias presentes en el agua son eliminados por este dispositivo de filtración de agua. Consulte la ficha de datos de rendimiento para obtener información sobre los contaminantes y el rendimiento de reducción.
- El sistema solo debe recibir agua fría.
- Este sistema de filtración no está diseñado para convertir aguas residuales o aguas negras en agua potable.
- Existe riesgo de exposición a contaminantes si a este dispositivo no se le realiza mantenimiento ni se maneja como se especifica en el siguiente manual de instalación.
- Los contaminantes u otras sustancias eliminadas por este sistema de filtración pueden no estar presentes en su agua. Consulte la sección Ficha de datos de rendimiento para obtener información sobre los contaminantes y el rendimiento de reducción.
- Este producto tiene una vida útil limitada. Mantenga un registro de la fecha de instalación y de cualquier mantenimiento realizado o cambio del filtro. Debido a su vida útil limitada, cambie el sistema cada 10 años para evitar reparaciones costosas o posibles daños causados por el agua.

Instalaciones en la mancomunidad de Massachusetts:

- La mancomunidad de Massachusetts exige que la instalación sea realizada por un plomero con licencia y no permite el uso de válvulas de asiento. En estos casos debe seguirse el código de plomería 248-CMR de la mancomunidad de Massachusetts.

AVISO**Para reducir el riesgo de daños materiales por fugas de agua:**

- Lea y siga estas instrucciones antes de instalar y utilizar este sistema.
- La instalación y el uso deben cumplir todos los códigos de plomería estatales y locales.
- No instale la unidad donde la temperatura pueda descender por debajo del punto de congelación, donde pueda estar expuesta a la luz directa o donde pueda estar expuesta al calor.
- La presión del agua no debe superar los 80 psi.
- Mitigue los golpes de ariete.
- Instale un dispositivo de prevención de reflujos.
- No utilice soplete ni otras fuentes de alta temperatura cerca del sistema de filtros, cartuchos, accesorios de plástico o tuberías de plástico.
- Nunca utilice sellador de tuberías, grasa para tuberías o cinta selladora de roscas en accesorios de plástico.
- Tenga cuidado al utilizar alicates o llaves de tubo para apretar los accesorios de plástico, ya que pueden dañarse si se aprietan demasiado.
- Ubique el sistema en una posición tal que evite que sea golpeado por otros elementos utilizados en la zona de instalación.
- No instale la unidad si falta alguna pieza. Póngase en contacto con el servicio de atención al cliente de Delta llamando al 1-800-345-3358 para solicitar piezas de repuesto. Inspeccione periódicamente las tuberías y el suministro de agua para detectar posibles daños. Cambie o repare según sea necesario.
- Cambie los cartuchos filtrantes oportunamente cuando se haya alcanzado la capacidad de vida útil o se observe una disminución notable del flujo de agua.
- Tras un período prolongado de inactividad, lave a fondo el sistema manualmente durante unos 10 minutos. Si el suministro de agua o corriente de la unidad se va a cortar o no va a estar disponible, ciérrelo y retire los cartuchos filtrantes. Guarde los cartuchos filtrantes en una bolsa cerrada en la nevera (NUNCA LOS CONGEELE) para aprovechar al máximo la capacidad restante del filtro. A continuación, desenchufe la unidad (consulte la sección Cuidado y mantenimiento para obtener más información sobre el almacenamiento a largo plazo).
- Si por cualquier motivo debe cortar el suministro de agua, desenchufe la unidad.
- El sistema de filtración por ósmosis inversa contiene un componente de tratamiento reemplazable, crítico para la reducción efectiva de los sólidos disueltos totales (Total Dissolved Solids, TDS), y el agua filtrada se analizará periódicamente para verificar que el sistema funciona correctamente.

El flujo y el rendimiento están determinados por 4 factores:

1. Temperatura del agua entrante
2. Sólidos disueltos totales (TDS) presentes en el suministro de agua
3. Presión del agua entrante
4. Restricción del flujo del dispositivo de salida (es decir, grifo restrictivo, distancia entre la unidad y el dispositivo de salida o neveras)

Las temperaturas más bajas son directamente proporcionales a un flujo más lento. Todas las membranas se prueban a 77 °F (25 °C). La temperatura del agua entrante no debe superar los 90 °F (32 °C). El sistema de filtración por ósmosis inversa tampoco debe instalarse en un lugar expuesto a heladas. Cuanto más TDS haya en el suministro de agua, más tiempo de filtrado se necesitará. Los TDS entrantes no deben superar los 1000 ppm. Una mayor presión del agua permite un mayor flujo. La presión debe ser superior a 40 psi para el correcto funcionamiento del sistema. Puede considerar la instalación de una bomba de refuerzo si la presión es inferior a 40 psi.

Contenido del paquete

Revise el paquete

Desembale y familiarícese con todos los componentes, los accesorios de conexión y el sistema de ósmosis inversa para una instalación rápida y sencilla. Revíselos de acuerdo con la lista de piezas para asegurarse de que no se ha omitido ni dañado nada durante el envío. Si alguna pieza está agrietada o rota, no continúe con la instalación y póngase en contacto con el servicio de atención al cliente llamando al 1-877-345-BRIZO (2749).

Especificaciones

Para lograr un rendimiento óptimo, se recomienda encarecidamente utilizar el sistema dentro de los parámetros operativos.

| Modelo | BWQ1001012 |
|---|--|
| Tamaño del sistema (largo x ancho x alto) | 18" (largo) x 6 ¼" (ancho) x 16" (alto) |
| Temperatura ambiente | 39°F-104°F / 4°C-40°C |
| Humedad del entorno | ≤90% |
| Presión del agua influente | 20 - 80 PSI / 0.14 - 0.6 MPa |
| Temperatura del agua influente | 41°F-100°F / 5°C-38°C |
| Requisitos del agua influente | Fuente de agua potable (*consulte el cuadro de características del agua influente) |
| Tasa de producción diaria | 800 GPD (galones por día) |
| Especificación de potencia | Entrada 100 ~ 240 V CA |
| | Salida 24 V CC |
| Vida útil nominal | 1320g / 5000L |
| Tasa del flujo nominal de agua pura | 2.1 L/min |

NOTA:

- La tasa de producción diaria se mide con una presión dinámica del agua influente de 30 psi y una temperatura del agua de 77 °F (25 °C).
- Si la presión del agua de entrada supera el requisito de presión del agua de entrada, debe instalarse una válvula reductora de presión (adquirla por separado).

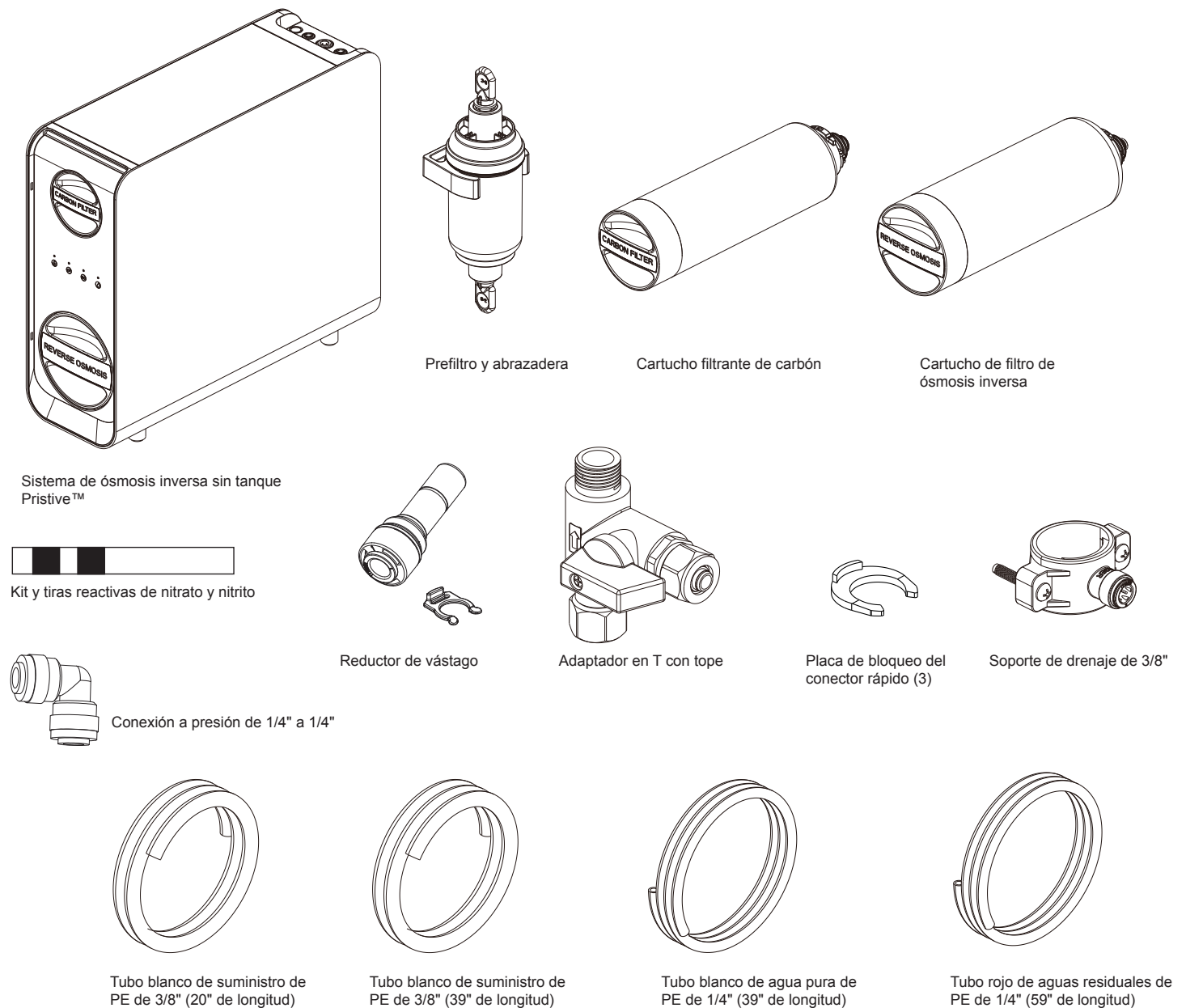
| Características del agua influente | Mín | Máx | Unidades |
|------------------------------------|--|-----|-----------------------------------|
| Turbidez | 0 | 1 | NTU |
| pH | 4 | 10 | pH |
| Cloro | Detectable* | 2 | ppm |
| Dureza | 0 | 19 | GPG @ 7.3 pH (según ASSE 1086) |
| Sulfuro, hierro o manganeso | Se permite un nivel máximo total de aproximadamente 0.01 ppm | | |

- Asegúrese de que el agua se ajusta a las pautas de especificación.
- Si se desconocen las condiciones del suministro de agua, póngase en contacto con la empresa municipal de aguas o con el departamento de salud local para obtener una lista de los contaminantes de su zona y una lista de los laboratorios certificados por su estado para analizar el agua potable.
- El funcionamiento de este dispositivo con el agua de entrada en condiciones fuera de esta especificación puede afectar el funcionamiento adecuado y causar una reducción de la velocidad de flujo, del rendimiento de filtración o de la vida del filtro.
- Utilice únicamente filtros y componentes de repuesto originales de Brizo Kitchen and Bath Company para la eliminación continua de contaminantes y un buen rendimiento del sistema.

LISTA DE VERIFICACIÓN DE HERRAMIENTAS Y MATERIALES



LISTA DE PIEZAS



CONEXIÓN AL SUMINISTRO DE AGUA FRÍA

El sistema de ósmosis inversa debe conectarse únicamente al suministro de agua FRÍA. La unidad de ósmosis inversa debe instalarse en posición vertical sobre una superficie plana y nivelada, y no puede colgarse ni montarse después del ensamblaje.

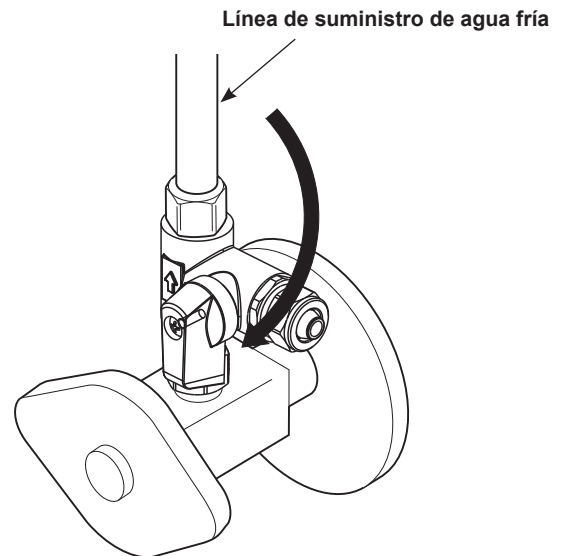
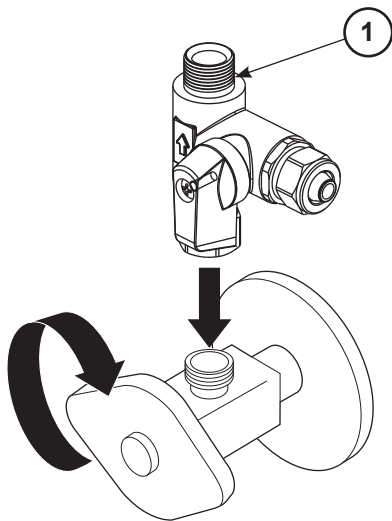
⚠ ADVERTENCIA

- NO instale el sistema en una zona donde pueda quedar expuesto a la luz solar, a productos químicos nocivos o en cualquier lugar donde pueda dañarse.
 - NO instale el sistema cerca de una fuente de calor.
 - NO instale el sistema al aire libre.
- Cierre el suministro de agua fría y, a continuación, abra el grifo de la cocina (para liberar la presión del agua). Asegúrese de que el agua ha dejado de correr antes de pasar al siguiente paso. Es posible que necesite una cubeta o una toalla para recoger el exceso de agua.
 - Desconecte la línea de suministro de agua fría del tope de suministro de agua fría.
 - Conecte el adaptador en T (incluido con la unidad) al tope de suministro. Apriete con la mano y luego, con una llave ajustable, apriete un cuarto de vuelta más. **NOTA:** No use cinta de teflón ni lubricante para tubos en los acoplamientos.
 - Vuelva a conectar la línea de suministro de agua fría no filtrada (1) al adaptador en T. Apriete con la mano y luego, con una llave ajustable, apriete un cuarto de vuelta más. **NOTA:** Enrosque con cuidado para evitar que se crucen las roscas.
 - Inspeccione suavemente la línea de la manguera para confirmar que está bien colocada. Asegúrese de que la válvula del adaptador en T está en la posición de apagado.

IMPORTANTE

La tubería suministrada con este sistema no está diseñada para su uso con casquillos de accesorios de compresión, y solo debe utilizarse con los accesorios suministrados o con accesorios de conexión a presión.

Para instalar válvulas de retención en el sistema de corte del suministro, instélaslas entre el adaptador en T y el grifo de la cocina.

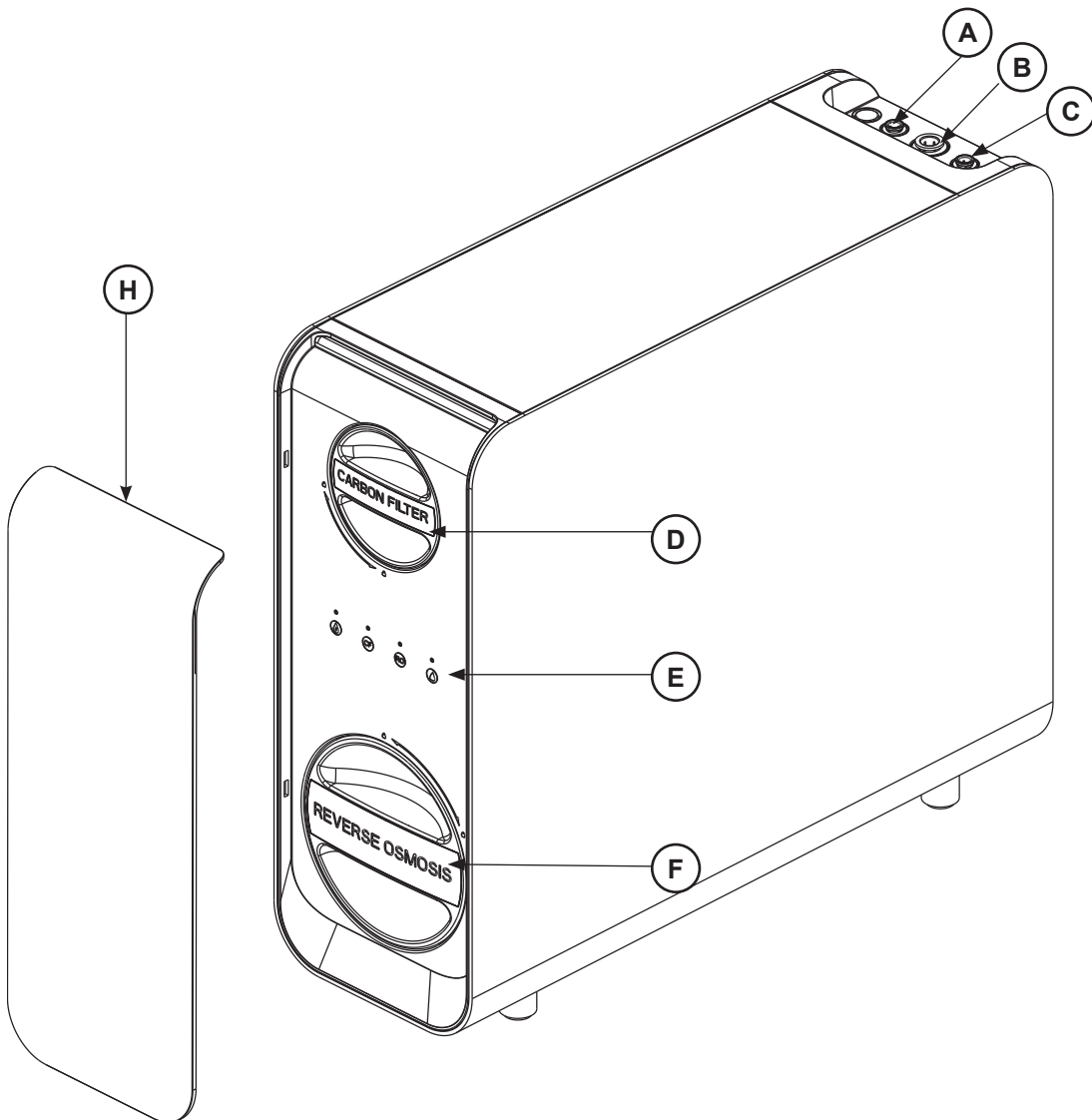


IMPORTANTE

Si aún no tiene un grifo instalado, **DETÉNGASE** aquí y siga todas las instrucciones de instalación del fabricante del grifo.

RESUMEN DEL PRODUCTO

A continuación, le presentamos brevemente las distintas partes y características de su sistema de ósmosis inversa. Identifique y familiarícese con cada pieza para que no tenga problemas en la instalación.



| Pieza | Descripción |
|-------|---|
| A | Puerto de aguas residuales (1/4" rojo) |
| B | Puerto de entrada de agua (3/8" blanco) |
| C | Puerto de agua pura (1/4" blanco) |
| D | Cartucho filtrante de carbón |
| E | Panel de visualización |
| F | Cartucho de filtro de ósmosis inversa |
| G | Base de apoyo |
| H | Cubierta frontal decorativa |

2

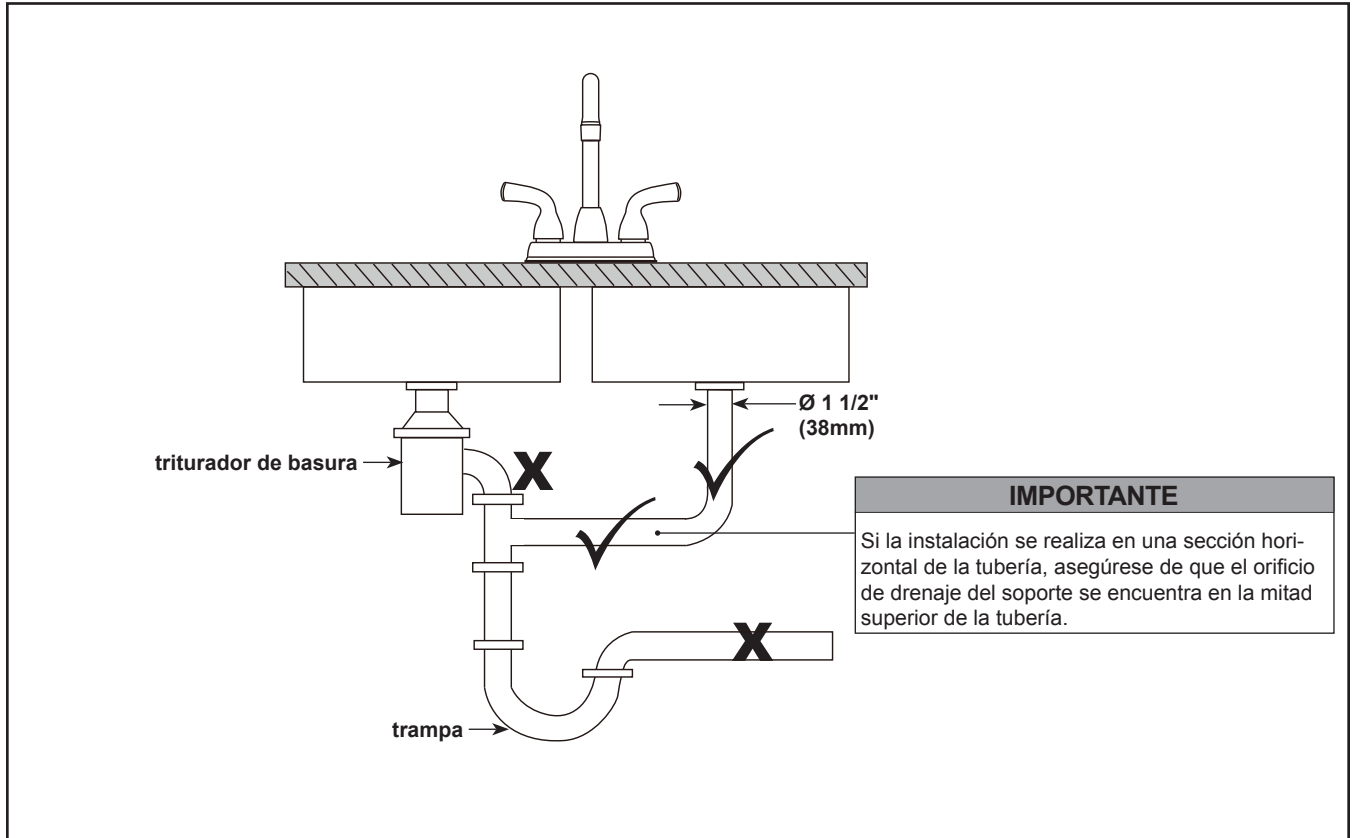
PREPARACIÓN DE LA CONEXIÓN DEL SOPORTE DE DRENAJE DE AGUAS RESIDUALES

El sistema de ósmosis inversa requiere la instalación de una conexión de aguas residuales, que evacua el agua rechazada al alcantarillado. El soporte de drenaje suministrado conecta la línea de aguas residuales de la unidad a la tubería de desagüe. El soporte de drenaje está diseñado para ajustarse alrededor de una tubería de desagüe estándar de 1 1/2" de diámetro exterior (outer diameter, OD).

NOTA: Si el sistema se instala en una región regida por el Código Uniforme de Plomería (Uniform Plumbing Code, UPC) o el Código Internacional de Plomería (International Plumbing Code, IPC), deberá utilizarse un adaptador de línea de desagüe aprobado por estos códigos (consulte la figura 3B).

Instale siempre el soporte de drenaje ANTES que el sifón. Consulte la imagen para asegurarse de que el soporte de drenaje está colocado en la sección vertical u horizontal adecuada de la tubería.

No instale el soporte de drenaje en un tramo de tubería situado después de un triturador de basura o un desagüe de lavavajillas, para evitar obstrucciones.



3

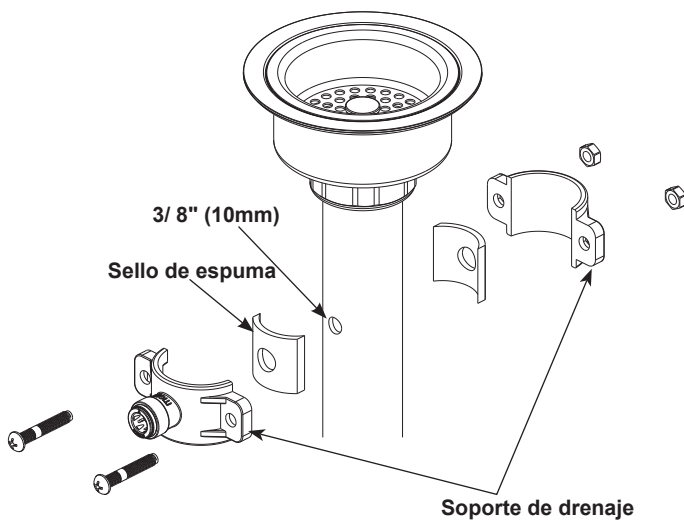
CONNECTING THE SADDLE DRAIN

- Determine la ubicación del soporte de drenaje y haga una marca en la tubería para la abertura.
- NOTA:** si se instala en una sección horizontal de la tubería, asegúrese de que el orificio de drenaje del soporte está situado en la mitad superior de la tubería.
- En el lugar marcado, taladre un orificio de 3/8" a través de la pared de la tubería de desagüe.
- Retire el respaldo de la junta de espuma y alinéela con el orificio del desagüe del soporte de drenaje (pegue el lado adhesivo al desagüe del soporte de drenaje).
- Coloque las dos mitades del soporte de drenaje alrededor de la tubería de desagüe con la abertura alineada con el orificio taladrado. Utilice un lápiz o una pajilla en la abertura para garantizar una alineación correcta.
- Fije los laterales del soporte de drenaje con los tornillos y tuercas suministrados. No apriete demasiado.
- CONSEJO:** Si su instalación de grifería viene con entrehierro, es posible que no necesite el reductor de vástago.

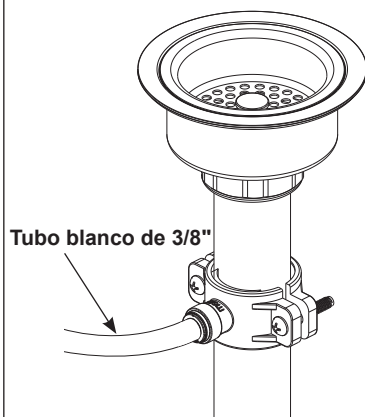
IMPORTANTE

Riesgo de daños materiales. No taladre a través del lado opuesto de la tubería de desagüe.

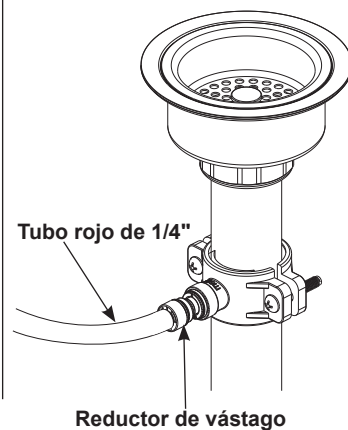
3A. Conexión del soporte



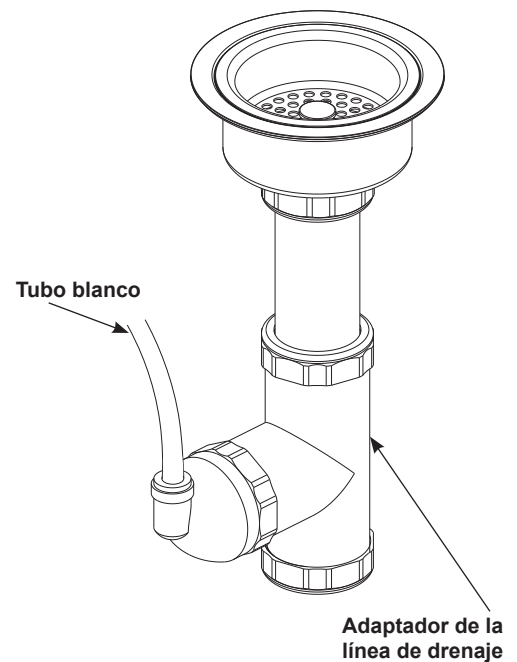
Sin reductor de vástago



Con reductor de vástago



3B. Adaptador de la línea de drenaje (no incluido)



Instalación según las instrucciones del fabricante

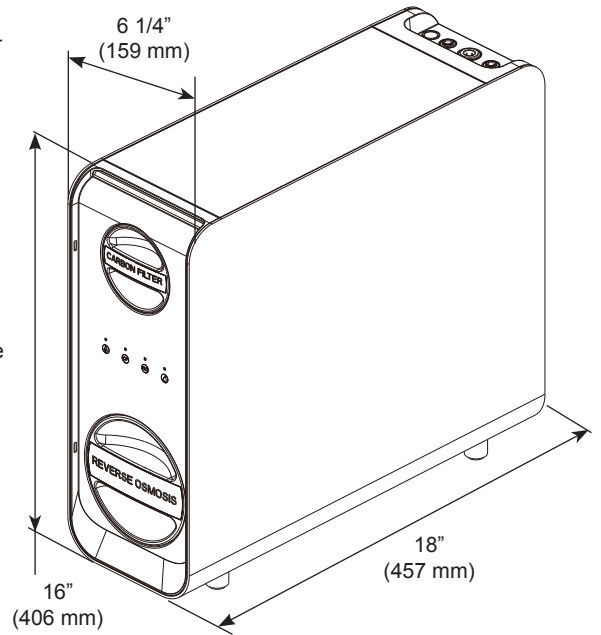
4

MONTAJE DE LA CARCASA DE ÓSMOSIS INVERSA

Compruebe que el gabinete tiene espacio suficiente para instalar y realizar el mantenimiento del sistema de filtración (18" x 6 1/4" x 16"). Coloque la unidad de modo que el panel frontal esté orientado hacia usted. Esto hará que la vista del panel de visualización y los cambios futuros del filtro sean fáciles y cómodos.

NOTA: No se recomienda colocar la unidad donde vaya a estar en contacto o contra la pared del gabinete o las tuberías, ya que puede haber vibraciones suaves mientras el sistema funciona.

- El receptáculo del suministro de corriente del aparato se instalará en un gabinete o en una pared adyacente al espacio bajo encimera en el que se vaya a instalar el aparato.
 - Deberá haber una abertura a través del tabique (si procede) entre los compartimentos especificados en (a) lo suficientemente grande para que pase el tapón de fijación. La dimensión más larga de la abertura no será superior a 38 mm (1 1/2").
 - Si el tabique es de madera, los bordes de la abertura especificada en (b) deberán ser lisos y redondeados, y si es metálico, deberán estar cubiertos con un protector de bordes (no incluido) proporcionado para este fin por el fabricante.
- Tenga cuidado al instalar y retirar el aparato para reducir la posibilidad de daños en el cable de suministro.
- La unidad de ósmosis inversa debe instalarse verticalmente sobre una superficie plana y nivelada, y no puede colgarse ni montarse después del ensamblaje.



IMPORTANTE

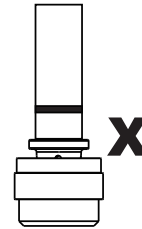
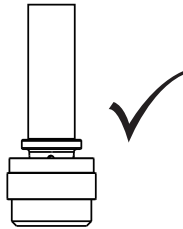
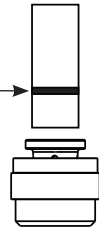
Si no se instala en posición vertical sobre una superficie nivelada, pueden producirse daños materiales o fallas de funcionamiento.

Cómo utilizar los accesorios de conexión rápida

Método correcto

Instalación incorrecta

Marca para la inserción completa →



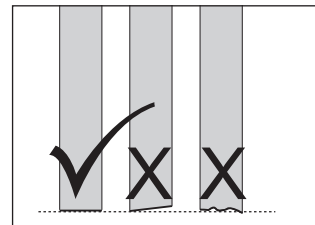
Si la manguera o el tubo no tiene ya una marca de inserción de profundidad, o para completar la instalación, debe cortar a la longitud adecuada, mida 5/8" desde el extremo del tubo y con un rotulador trace una línea a su alrededor. Este será su indicador de profundidad de inserción. Inserte el tubo hasta que deje de verse la marca de profundidad de inserción.

IMPORTANTE

Si determina que las longitudes de los tubos son demasiado largas para su instalación y deben ser más cortas para crear una instalación aceptable, asegúrese de planificar. Al cortar tuberías de conducción de agua, el instalador acepta la responsabilidad de hacerlo de forma que permita crear una unión sin fugas. Delta Faucet Company no se hace responsable del corte excesivo de los tubos o de cortes que no permitan una unión sin fugas. No utilice grasa para tuberías ni otros sellantes en las conexiones de las tuberías de agua.

Conexiones a medida

- Determine la longitud deseada del tubo de suministro, dejando 1"-2" de longitud extra para permitir una instalación más fácil.
- Corte el tubo asegurándose de que quede recto y sin rebabas.



5

FINALIZACIÓN DE LA INSTALACIÓN

5A. Manguera de entrada de agua

1. Reúna las dos piezas (39" y 20" de longitud) de mangueras de PE de 3/8" (blancas) y el prefiltro.
 2. Ajuste en seco el prefiltro en el espacio e identifique una buena ubicación para el montaje. Asegúrese de que la ubicación elegida permite acceder a las conexiones adecuadas. Consulte la Figura 1 para ver la orientación.
 NOTA: en función del espacio de instalación, puede utilizar primero cualquiera de las dos longitudes de manguera, pero se recomienda utilizar la manguera más larga (39" de longitud) para realizar la conexión de (1) a (2) y la manguera más corta (20" de longitud) para realizar la conexión de (3) a (4) (consulte la Figura 4).
 3. Marque con un lápiz la ubicación prevista del pasador de montaje.
 4. Instale el pasador de montaje basándose en la ubicación de ajuste en seco determinada en los pasos 3 y 4.
 5. Si se instala sobre una superficie de madera, utilice una broca de 1/4" para taladrar un agujero en el lugar determinado. Introduzca el anclaje en el orificio. A continuación, instale el pasador-C con el tornillo suministrado (consulte la Figura 2).
- CONSEJO:** para instalar el remineralizador optativo, primero complete el proceso de montaje del remineralizador.
6. Conecte el extremo (1) de la manguera de PE blanca de 3/8" a la válvula del adaptador en T desenroscando la tuerca y deslizándola sobre la manguera. A continuación, encaje a presión la manguera en la boquilla. Asegúrese de que la manguera está a ras de la parte inferior del accesorio de compresión antes de apretar la tuerca.
 NOTA: Enrosque con cuidado para evitar que se crucen las roscas (consulte la Figura 3).
CONSEJO: Se recomienda lavar la línea de suministro antes de conectar el prefiltro. Utilice una cubeta pequeña para recoger el agua y lave rápidamente la tubería abriendo y cerrando la válvula de cierre del adaptador en T.
 7. Utilice un extremo de cada manguera de PE de 3/8" (determinado en el paso de conexión en seco) para conectarlo a los extremos (2) y (3) del prefiltro (consulte la Figura 4 para ver la orientación correcta). Inserte firmemente la manguera en los accesorios integrados de conexión a presión del prefiltro hasta que los indicadores de profundidad de inserción no sean visibles. Después enmuesque la placa de sujeción de conexión rápida a ambos lados del prefiltro.
 NOTA: La flecha indica la dirección del flujo de agua.
 8. Retire el tapón de corte de la admisión de agua. Ver el diagrama 4 (4).
 9. Conecte el extremo (4) en el puerto de entrada de agua del sistema de ósmosis inversa hasta que la marca de inserción de profundidad no sea visible. A continuación, inserte la placa de bloqueo del conector rápido en la posición de la ranura del conector rápido (consulte la Figura 4).
 10. Compruebe que todas las conexiones estén bien insertadas y fijas.

Figura 1

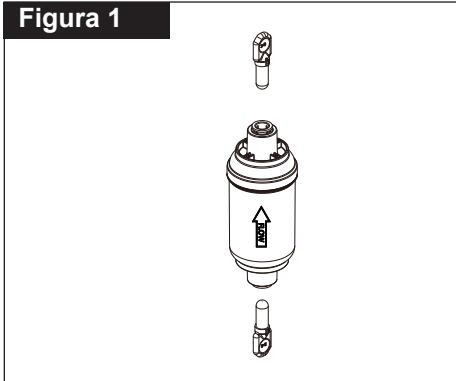


Figura 2

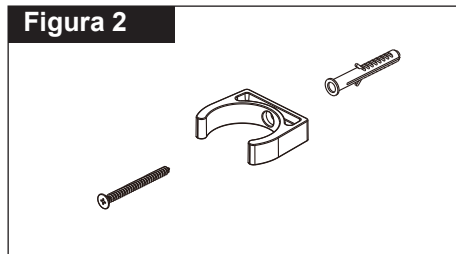


Figura 3

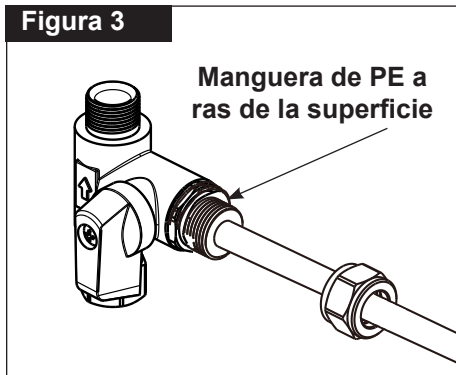
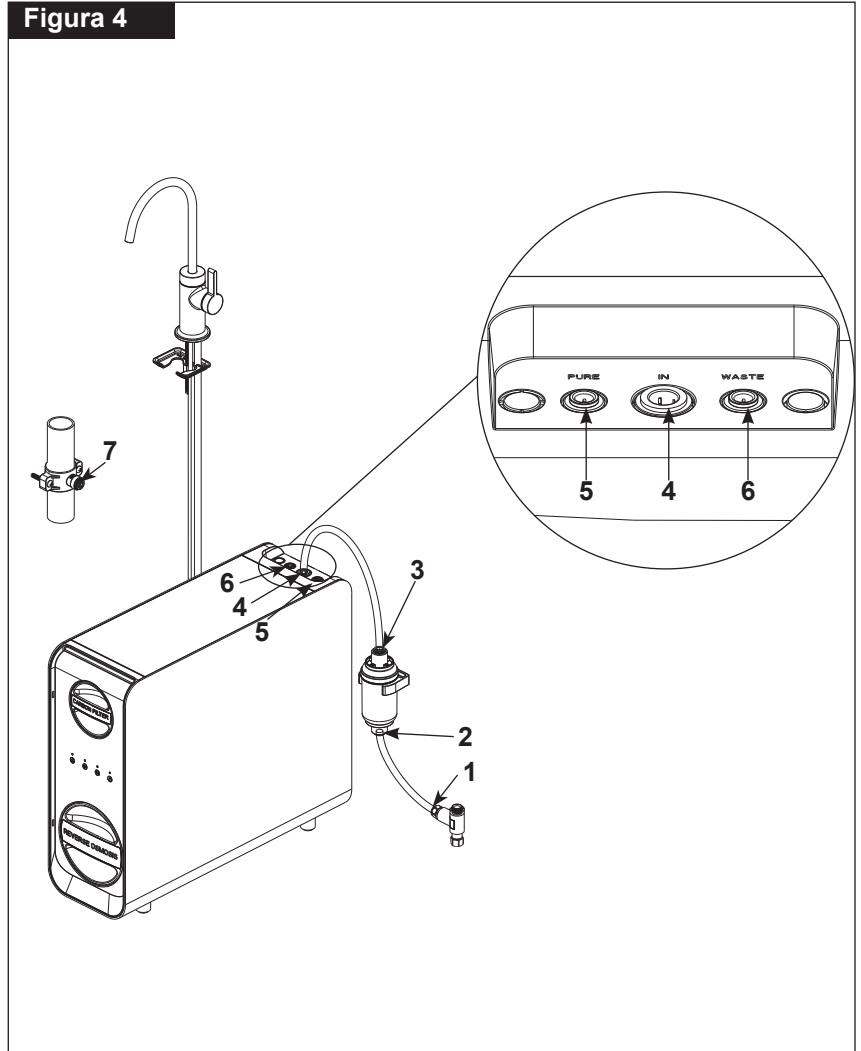


Figura 4



⚠ ADVERTENCIA

La salida de aguas residuales debe estar conectada al desagüe y fijada correctamente. No utilice un dispositivo de almacenamiento de agua para recoger el agua residual a fin de evitar la secuencia de lavado automático de la filtración. Esto provocará un desbordamiento.

5B. Instalación de la manguera de aguas residuales:

1. Para instalaciones con entrehierro:
 - Si utiliza un grifo con entrehierro, consulte las instrucciones de instalación del fabricante.
 - **NOTE:** Algunos grifos vienen con mangueras integradas, es posible que no necesite toda la tubería suministrada con su sistema.
2. Para instalaciones sin entrehierro:
 - Inserte el reductor de vástago en la conexión del soporte de drenaje.
 - Retire el tapón de corte de las aguas residuales. Ver el diagrama 5 (6). Conecte un extremo de la línea roja de aguas residuales de PE de 1/4" al puerto de salida de aguas residuales (6) situado en la unidad (consulte la Figura 5)
 - Tome el extremo restante de la línea roja de aguas residuales de PE de 1/4" e insértelo en el soporte de drenaje (7) con el reductor de vástago instalado (consulte la Figura 5).
 - Una vez que la manguera esté completamente insertada, utilice la placa de bloqueo del conector rápido en la posición de la ranura del conector rápido (consulte la Figura 6).

Figura 5

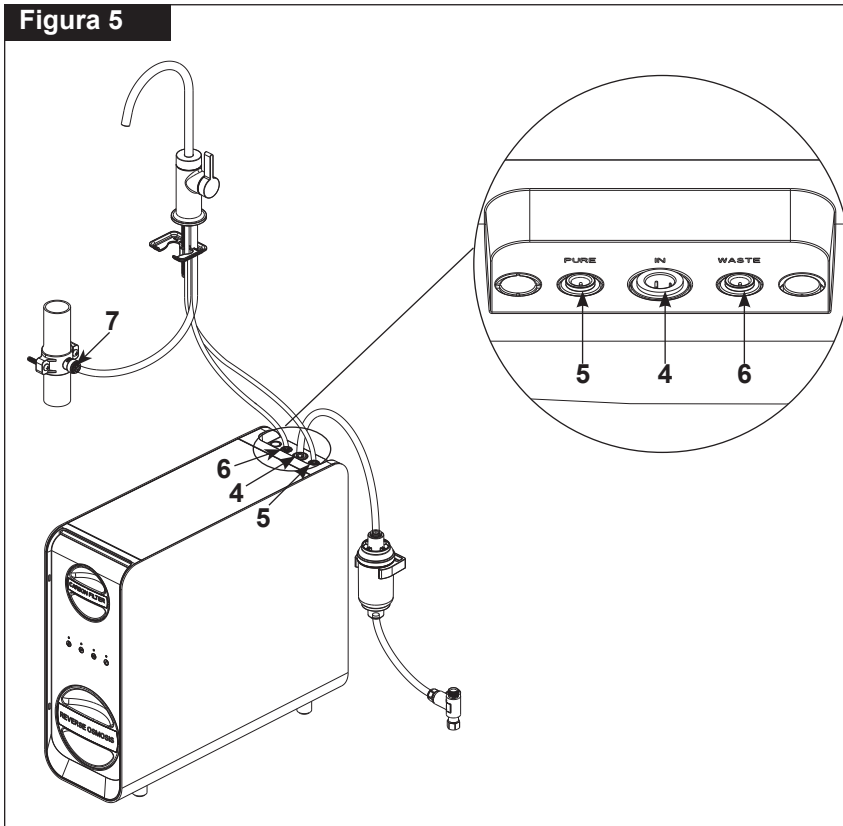
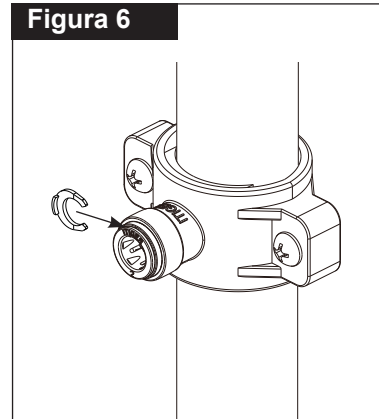


Figura 6



5C. Instalación de la manguera de agua purificada:

1. Para grifos sin líneas de mangueras integradas:
 - Retire el tapón de corte del agua pura. Ver el diagrama 5 (5). Inserte un extremo de la manguera blanca de PE de 1/4" en la salida de agua purificada (5) del dispositivo de filtración (consulte la Figura 5). Después enmuesque la placa de sujeción de conexión rápida.
 - A continuación, conecte el extremo restante de la manguera blanca de PE de 1/4" al grifo. Consulte las instrucciones del fabricante para conocer la instalación correcta.
2. Para grifos con líneas de mangueras integradas:
 - Retire el tapón de corte del agua pura. Ver el diagrama 5 (5). Si utiliza un grifo con líneas de mangueras integradas, consulte las instrucciones del fabricante para la instalación en la salida de agua purificada (5) del dispositivo de filtración (consulte la Figura 5).
 - **NOTA:** En el caso de grifos que vienen con líneas de mangueras integradas, es posible que no necesite toda la tubería suministrada con el sistema.
 - Una vez asegurada la manguera, inserte la placa de bloqueo de conexión rápida en la posición de la ranura del conector rápido (consulte la Figura 6).
 - Para los grifos con líneas de mangueras integradas que no se extienden lo suficiente como para llegar a la unidad, es posible que necesite el adaptador de conexión a presión de 1/4" a 1/4" para extender la línea de manguera.

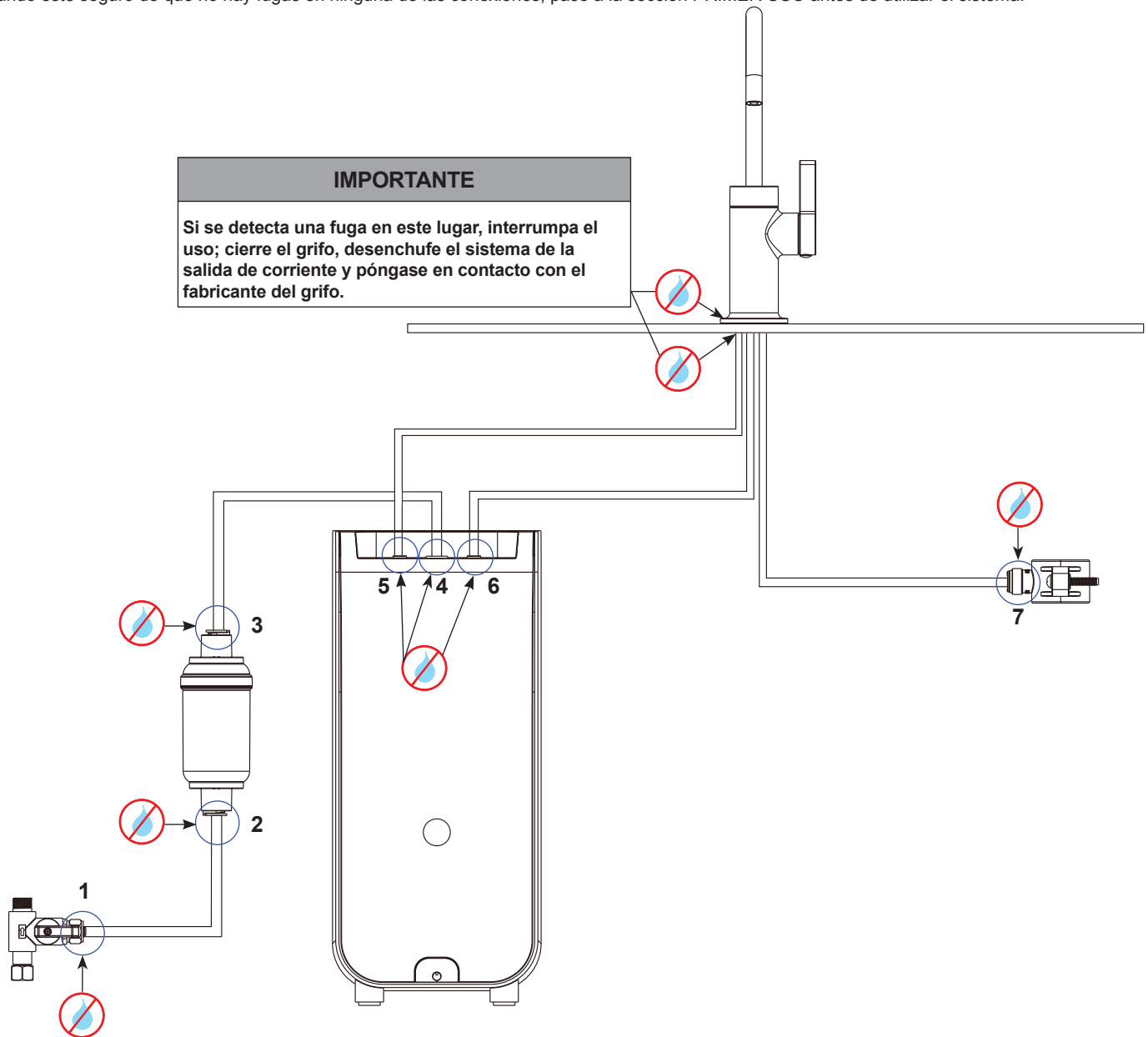
5D. PUESTA EN MARCHA DEL SISTEMA DE FILTRACIÓN

1. Asegúrese de que todas las conexiones de agua se han completado como se describe en la sección de instalación.
2. Compruebe que los filtros están instalados y bloqueados en su sitio. Consulte la Figura 1 de la sección de cambio de cartuchos filtrantes para ver la orientación correcta.
NOTA: Deberá sentir un clic cuando los cartuchos filtrantes estén completamente insertados.\
3. Vele porque el asa del grifo de tipo beverage esté cerrada.
4. Abra el suministro de agua fría y la válvula de cierre del adaptador en T a la línea de entrada de agua.
5. Enchufe el cable de alimentación a la salida de corriente. La unidad iniciará una secuencia de lavado automático de 5 minutos.

NOTA: La potencia mínima requerida para esta unidad es de 80 W; asegúrese de que la salida de corriente tiene la potencia adecuada para hacer funcionar la unidad de forma segura. Visite la sección de resolución de problemas si hay problemas con el suministro de corriente.

Una vez realizadas todas las conexiones, inspeccione visualmente el sistema para asegurarse de que no hay fugas de agua (consulte el siguiente diagrama del sistema para ver los puntos de inspección).

Cuando esté seguro de que no hay fugas en ninguna de las conexiones, pase a la sección PRIMER USO antes de utilizar el sistema.



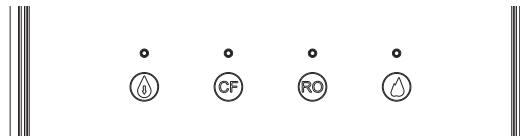
6

PRIMER USO

Lavado

1. Gire el asa del grifo hacia la posición abierta para iniciar el lavado manual del sistema.
2. Lave los cartuchos filtrantes durante aproximadamente 30 minutos para que los filtros se asienten antes de beber.
NOTA: Durante el lavado, la luz de filtrado de agua parpadea en azul y, una vez finalizado el lavado, permanecerá encendida. Cuando no se utilice, la luz de filtrado de agua se apagará.
3. Durante la secuencia de lavado es importante vigilar atentamente el sistema. Inspeccione visualmente si hay fugas y compruebe el sellado entre todos los componentes del sistema. **CONSEJO:** Utilice un pañuelo de papel para limpiar cada conexión y compruebe si hay humedad en el pañuelo.
4. Una vez finalizada la secuencia de lavado manual, puede cerrar el grifo. Si no hay fugas, el sistema está listo para funcionar

NOTA: Durante el proceso de lavado, si el usuario cierra la salida de agua pura del grifo, este continuará ejecutando la secuencia de lavado en el siguiente encendido.



PANEL DE VISUALIZACIÓN

PRIMER ENCENDIDO: después del encendido, el zumbador emite un pitido durante 0.1 segundos y se encienden simultáneamente varios tipos de indicadores luminosos. Cada indicador se enciende en secuencia de estados (azul, morado y rojo) durante aproximadamente 1 segundo, mientras que la luz monocromática permanece encendida durante 3 segundos.

EN USO: cuando está en uso, la luz de filtrado del agua se vuelve azul y permanece encendida mientras purifica el agua.

EN ESPERA: la luz de filtrado de agua se apagará, pero todas las demás luces seguirán mostrando el rendimiento del filtro.

LAVADO: durante la vida útil de su producto, su sistema realizará lavados rutinarios. Durante la secuencia de lavado, la luz de agua filtrada parpadeará.

- Aproximadamente 5 minutos después de su uso, el sistema de ósmosis inversa realizará un lavado automático de limpieza del sistema.
- Después de 2 horas de uso acumulado, el sistema de ósmosis inversa iniciará una secuencia de lavado. Tardará aproximadamente 20 segundos.
- Después de 12 horas sin uso, se iniciará una secuencia de lavado de limpieza que durará aproximadamente 60 segundos.

NOTA: Si durante la secuencia de lavado utiliza el agua filtrada, la unidad detendrá el ciclo de lavado y proporcionará agua limpia.

ENCENDIDO: después del apagado, un zumbador emitirá un pitido y se encenderán varios tipos de luces de la pantalla. La unidad realizará un lavado breve durante aproximadamente 20 segundos.

RECORDATORIO DE CAMBIO

Los indicadores de vida útil del filtro en el panel de visualización frontal le ayudarán a identificar cuándo es el momento de realizar el cambio rutinario del filtro. El siguiente cuadro muestra el color de la luz y el sonido asociado con cada estado de la vida del filtro.

ESTADO DE LA PANTALLA

| Estado | Vida útil restante (días) | Capacidad restante (G) | Luz | Sonido |
|----------------|---------------------------|------------------------|--------|-------------------------------------|
| Normal | >21 | >53 | Azul | N/A |
| Cambiar pronto | ≤21 | ≤53 | Morado | Emite dos pitidos al dispensar agua |
| Cambiar ahora | ≤0 | ≤0 | Rojo | Emite pitidos al dispensar agua |

*** Los indicadores le avisarán acerca del cambio del filtro por volumen aproximado de uso o por tiempo. Lo que ocurra primero.**

CUIDADO Y MANTENIMIENTO

La vida útil real de los cartuchos filtrantes puede variar en función de la calidad del agua local.

Si el cartucho filtrante está obstruido o falla prematuramente, cámbielo.

Si el sistema de filtración no se utiliza durante más de UN MES (lo que significa que la unidad no tendrá corriente o el agua se cortará), retire los cartuchos del filtro de carbón y del filtro de osmosis inversa y séllelos con un plástico transparente o en una bolsa de plástico. A continuación, guárdelos en la nevera para reducir la proliferación de bacterias. NO meter en el congelador. No es necesario desconectar el prefiltro durante el almacenamiento a largo plazo.

Si por alguna razón se desconecta el prefiltro y se deja al ralentí, se recomienda cambiarlo de inmediato.

Para preparar adecuadamente su sistema para el almacenamiento a largo plazo:

- Abra el grifo del agua.
- Cierre la fuente de agua de la conexión del adaptador en T.
- Espere hasta que el agua haya salido del sistema.
- Desenchufe la unidad de la fuente de alimentación.
- Cierre el grifo del agua.

Al reiniciar el sistema, es necesario realizar un lavado manual. Instale los filtros y haga pasar el agua por el sistema de ósmosis inversa durante 10 minutos antes de utilizar el agua filtrada. De lo contrario, es necesario sustituir los cartuchos filtrantes antes de su uso.

CAMBIO DEL FILTRO DE ÓSMOSIS INVERSA Y DEL CARTUCHO DEL FILTRO DE CARBÓN

1. Asegúrese de que el grifo de agua está cerrado y de que el indicador luminoso refleja el modo de espera (no está encendido ni parpadea).
2. Sujete el asa y gire el cartucho filtrante en sentido contrario a las agujas del reloj.
3. Extraiga el cartucho de la unidad.
NOTA: Debido al alivio de presión, es posible que vea algunas gotas de agua al retirar el cartucho. Para minimizar las gotas de agua, mantenga el filtro en posición vertical y el extremo del asa hacia abajo.
4. Retire la tapa de protección del extremo de ajuste del filtro. Inserte el filtro nuevo de reemplazo en la unidad de filtración con el extremo del accesorio primero (consulte la Figura 1).
5. Gire el cartucho en el sentido de las agujas del reloj mientras aplica una presión ligera hasta que el cartucho encaje en su sitio.
NOTA: El cartucho debe girarse a la posición horizontal.
6. Repita los pasos 2 al 5 con el otro filtro.
7. Mantenga pulsado el indicador de duración del filtro CF durante 5 segundos. Una vez completado, la luz indicadora se volverá azul y emitirá un pitido. Inmediatamente, pulse y mantenga pulsado el indicador de vida útil del filtro de ósmosis inversa (reverse osmosis, RO) durante 5 segundos. Una vez completado, la luz indicadora se volverá azul y emitirá un pitido. Se iniciará un lavado automático que durará aproximadamente 5 minutos.
8. Abra el grifo y realice el lavado del sistema durante 30 minutos después de instalar el filtro de carbón nuevo y los cartuchos de ósmosis inversa.
9. El agua está lista para usar.

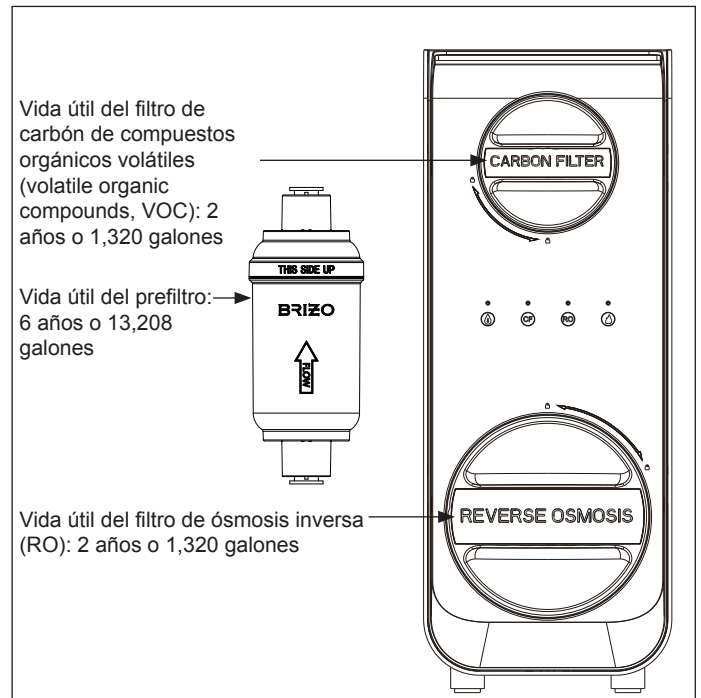
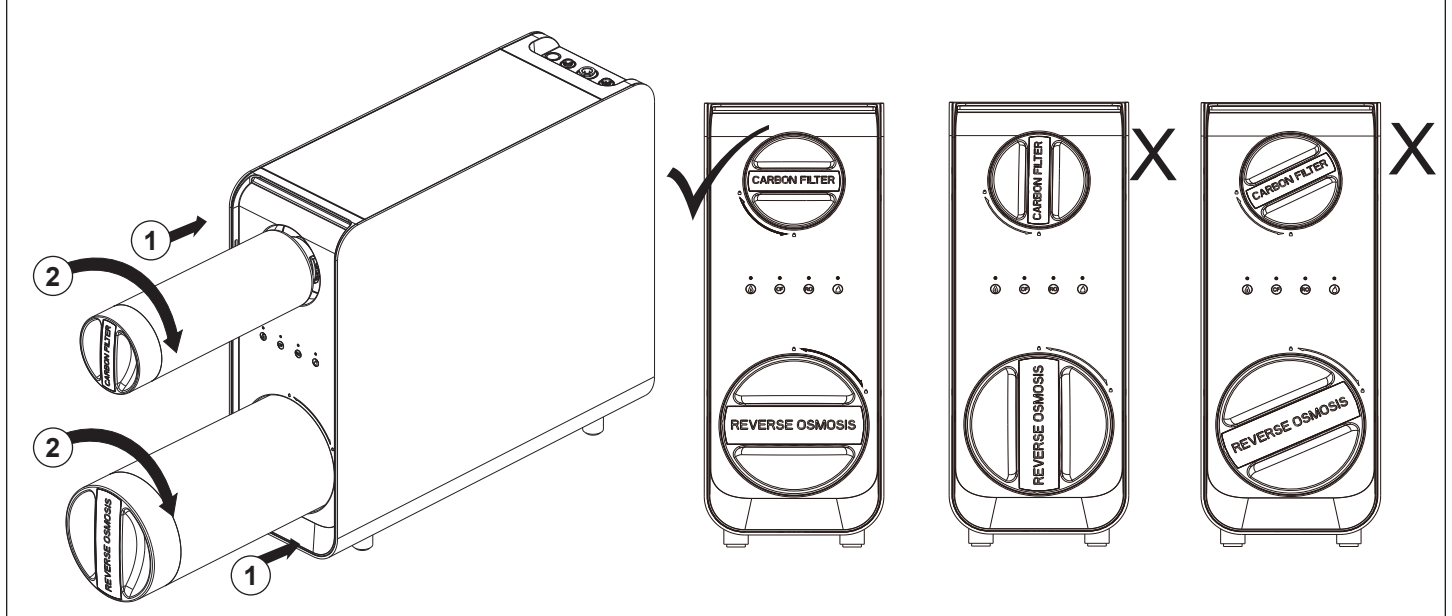
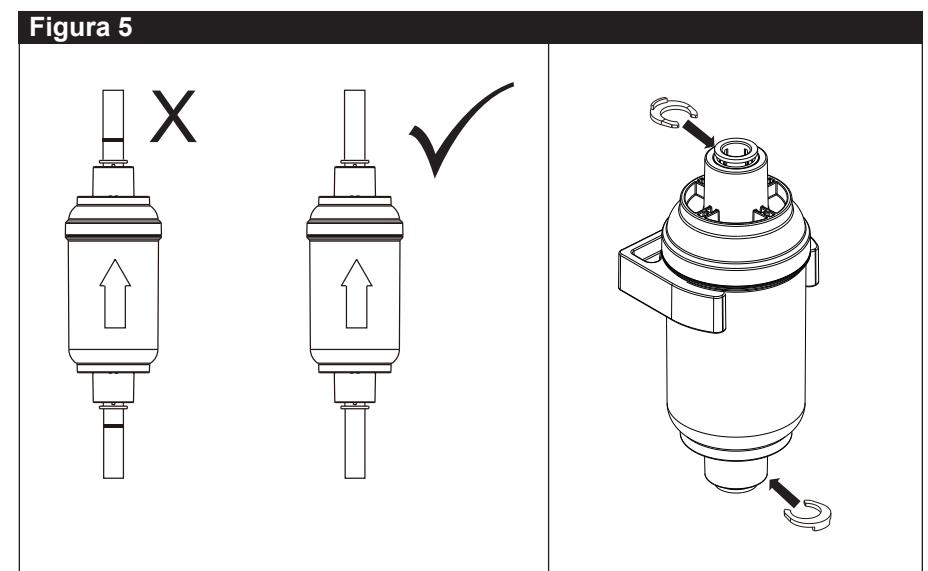
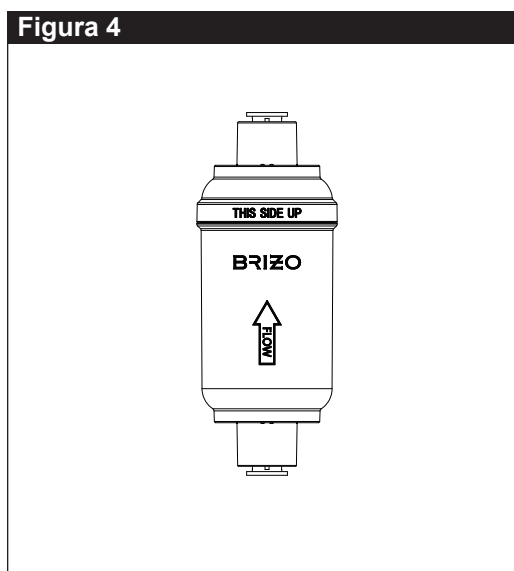
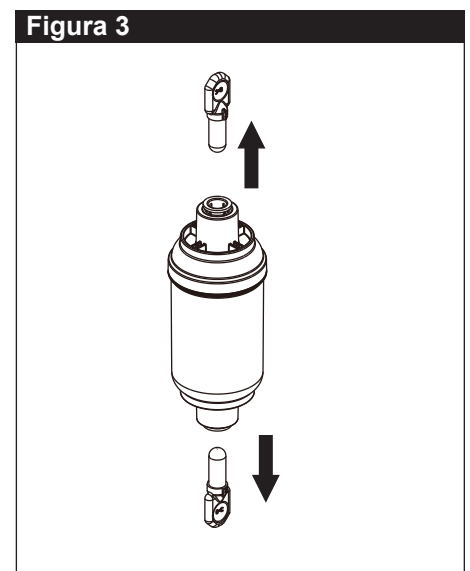
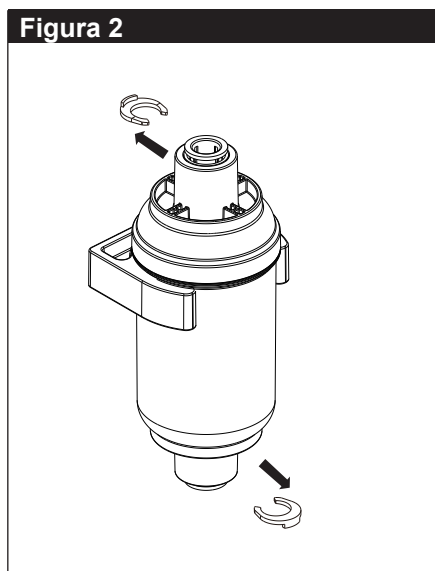
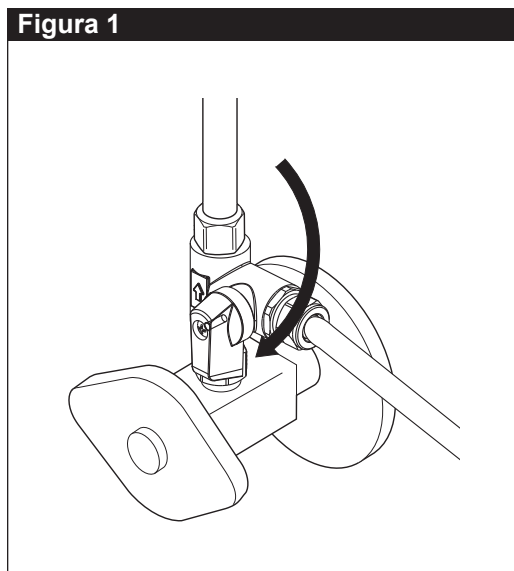


Figura 1



CAMBIO DEL PREFILTRO

1. Cierre el suministro de agua en la conexión de agua fría (consulte la Figura 1).
2. Abra el grifo de la cocina para evacuar el agua y despresurizar la tubería.
3. Desenchufe la unidad del suministro de corriente.
4. Retire la placa de bloqueo de conexión rápida del extremo del filtro (consulte la Figura 2). Sujete el anillo blanco contra el cuerpo del conector mientras tira del tubo hacia fuera. Repita el paso 4 con el otro extremo.
5. Inspeccione visualmente los extremos de la manguera en busca de rebabas o daños.
6. Tome el filtro nuevo y retire los tapones de cierre (consulte la Figura 3).
7. Asegúrese de que la orientación es correcta (consulte la Figura 4) e inserte de nuevo las mangueras en los accesorios de conexión a presión.
8. Confirme que los indicadores de profundidad de inserción no son visibles y que no hay dobleces en la línea. Una vez asegurada la manguera, inserte la placa de bloqueo de conexión rápida en la posición de la ranura del conector rápido (consulte la Figura 5).
9. Vuelva a abrir el suministro de agua y enchufe de nuevo la unidad al suministro de corriente.
10. Inspeccione visualmente si hay fugas cuando la unidad vuelva a ponerse en marcha.
11. El prefiltro está listo para usar.



GUÍA DE RESOLUCIÓN DE PROBLEMAS
Llámenos al 1-877-345-BRIZO (2749)

| Problema | Causa probable | Solución |
|--|---|---|
| Ruido durante el uso | <ul style="list-style-type: none"> • La unidad producirá un ruido suave durante el funcionamiento. • La unidad está apoyada contra una tubería. • La unidad no está nivelada. | <ul style="list-style-type: none"> • Esto es normal. • Aleje la unidad de la pared del gabinete y de las tuberías. • Coloque la unidad en una superficie plana y nivelada. |
| Pitido durante el uso | <ul style="list-style-type: none"> • La unidad de ósmosis inversa le avisará cuando los filtros estén llegando al final de su vida útil. Es posible que oiga un pitido moderado procedente de la unidad mientras está en uso. | <ul style="list-style-type: none"> • Cambie los cartuchos filtrantes (para obtener más información, consulte la página 14). |
| Pitido tras más de 30 minutos de uso continuado. | <ul style="list-style-type: none"> • Si el tiempo de funcionamiento supera los 33 minutos, se ejecutará un modo de protección por tiempo de espera (la unidad dejará de emitir pitidos, la luz de filtración de agua se apagará y los indicadores de vida útil del filtro parpadearán en rojo). • Instalación incorrecta de la manguera. • Si no ha abierto el grifo durante más de 33 minutos, es posible que haya una fuga entre la unidad y el grifo (o el dispositivo dispensador de agua). • Si no abrió el grifo durante más de 33 minutos y no pudo identificar una fuga | <ul style="list-style-type: none"> • Desenchufe y vuelva a enchufar la unidad. • Confirme que la línea de suministro del grifo está instalada en la salida correcta de la unidad. • Inspeccione visualmente toda la tubería y compruebe si hay fugas. • Póngase en contacto con nuestro servicio de atención al cliente. |
| El agua sabe a agua del grifo. | <ul style="list-style-type: none"> • Instalación incorrecta de la manguera. • Es necesario cambiar los cartuchos filtrantes. | <ul style="list-style-type: none"> • Confirme que la línea de suministro del grifo está instalada en la salida correcta de la unidad. • Pida filtros nuevos y cámbielos lo antes posible. |
| Hay una fuga de agua. | <ul style="list-style-type: none"> • Instalación incorrecta <ul style="list-style-type: none"> • Accesorios de conexión a presión (revise las instrucciones para cortes rectos). • Conexiones roscadas. • Componente dañado. | <ul style="list-style-type: none"> • Inspeccione visualmente todas las conexiones realizadas por el usuario. • Desconecte el agua y el suministro de corriente. Inspeccione visualmente todos los componentes en busca de agua. Póngase en contacto con nuestro servicio de atención al cliente. |
| El sistema no dispensa agua | <ul style="list-style-type: none"> • El sistema está encendido e intenta bombear agua; no se dispensa agua. <ul style="list-style-type: none"> • Los indicadores de vida útil del filtro del sistema parpadearán. Rojo con pitido: Hay agua dentro de la unidad (la luz de filtración de agua se apagará y los indicadores de vida útil del filtro parpadearán en rojo. Un pitido notificará al usuario si se detecta agua dentro de la unidad durante más de 3 segundos). • Interrupciones (puestas en marcha y paradas frecuentes). | <ul style="list-style-type: none"> • Verifique que la válvula de suministro de agua fría y el adaptador en T están en posición ABIERTO. • Indicadores de vida útil del filtro del sistema: <ul style="list-style-type: none"> • ¿Hubo un derrame? Si al cambiar o instalar las mangueras se derrama agua sobre la unidad o dentro de esta, tome una toalla y limpie el exceso de agua. Si hay agua dentro del sistema, inclínelo hacia delante para que salga. Una vez eliminada el agua, el sistema volverá a funcionar con normalidad. Si la alarma continúa después de que el agua haya salido, póngase en contacto con nuestro servicio de atención al cliente. • Desenchufe y vuelva a enchufar la unidad. |
| Uso con nevera | <ul style="list-style-type: none"> • Algunas aplicaciones con nevera provocarán interrupciones al intentar dispensar agua filtrada. | <ul style="list-style-type: none"> • Es posible que tenga que instalar un acumulador en línea con el agua filtrada para corregir las interrupciones. Si dispone del manual del usuario de su nevera, consúltelo para instalar un sistema de ósmosis inversa en su dispensador de agua. Si necesita más ayuda, póngase en contacto con el servicio de atención al cliente. |

| | | |
|---|--|---|
| <p>La unidad no recibe alimentación.</p> | <ul style="list-style-type: none"> • La salida de corriente prevista para la unidad no tiene corriente. • Se activó el interruptor de circuito de falla a tierra (Ground Fault Circuit Interrupter, GFCI) • El circuito está sobrecargado • Daños en la unidad. | <ul style="list-style-type: none"> • Compruebe que la salida de corriente tiene corriente o que está encendida (en el caso de salidas con interruptor). • Reinicie la salida del GFCI; si el problema persiste, póngase en contacto con un electricista con licencia. • Tener demasiados electrodomésticos en el mismo circuito puede hacer saltar el disyuntor. • Confirme que la unidad tiene corriente enchufándola a una salida de corriente que funcione. Si la unidad no puede encenderse, póngase en contacto con el servicio de atención al cliente. |
| <p>No sale agua o sale poco flujo del grifo de ósmosis inversa.</p> | <ul style="list-style-type: none"> • Es necesario cambiar el filtro (compruebe los indicadores de vida útil del filtro para confirmar si es necesario cambiarlo). • Las válvulas de suministro de agua no están completamente en posición ABIERTA. • Baja presión o baja temperatura del agua. • Una manguera está restringida. • El prefiltro se obstruyó. | <ul style="list-style-type: none"> • Cambie los filtros. • Compruebe la válvula de cierre del agua fría, la válvula del adaptador en T y el grifo para asegurarse de que están TOTALMENTE ABIERTOS. • Compruebe que la presión del agua está dentro de la especificación de presión del agua de alimentación (pág. 3). NOTA: La baja presión y temperatura del agua pueden contribuir a una variación del flujo. • Inspeccione visualmente todas las mangueras en busca de pliegues o dobleces en la línea. Desenrosque o cambie la manguera según sea necesario. • Para desatascar el prefiltro, invierta temporalmente el flujo: Consulte la sección Cambio del prefiltro (pág. 16) para desinstalarlo y, a continuación, lave el prefiltro. Vuelva a conectar (no conecte a la unidad, deje correr el agua a una cubeta), luego enjuague el filtro durante aproximadamente 5-10 segundos (abra el agua lentamente). Vuelva a colocar el prefiltro en su posición original tomando en cuenta la flecha de dirección del flujo. Confirme que el flujo de agua ha vuelto a la normalidad. |
| <p>La temperatura del agua es inferior a (37 °F) 3 °C</p> | <ul style="list-style-type: none"> • Si la temperatura del agua de entrada o de salida desciende por debajo de 37 °F (3 °C), el sistema realizará un procedimiento de apagado automático (la luz de filtración de agua se apagará y los indicadores de vida útil del filtro parpadearán en rojo. Un pitido avisará al usuario). | <ul style="list-style-type: none"> • Cuando la temperatura del agua vuelva a ser normal (superior a 37 °F [3 °C]) desenchufe y vuelva a enchufar la unidad. |
| <p>El indicador de la unidad muestra TDS altos</p> | <ul style="list-style-type: none"> • El sistema no se ha utilizado durante un largo período. • El agua de la fuente puede tener más TDS. • Filtro dañado. • Instalación incorrecta de la manguera. | <ul style="list-style-type: none"> • Realice un lavado manual de todo el sistema durante aproximadamente 10 minutos y los TDS deberían volver a la normalidad. • Analice el agua de origen y el agua filtrada. Los TDS del agua filtrada serán aproximadamente entre el 5 % y el 10 % de los TDS del agua de origen. Si los TDS del agua de origen son altos pueden reducir la vida útil de su filtro. Realice el cambio rutinario del filtro si los TDS del agua filtrada superan el 15 % al 20 %. • Cambie los filtros. • Confirme que la línea de suministro del grifo está instalada en la salida correcta de la unidad. |

Garantía limitada de los sistemas de filtración del agua Brizo®

Según corresponda, se garantiza al comprador usuario o al usuario comercial iniciales que el presente sistema de filtración del agua Brizo® no tendrá defectos de material ni por la mano de obra durante los periodos que se indican más abajo.

Máquinas, envueltas y componentes del sistema de filtración del agua: Durante los cinco (5) años siguientes a la fecha en que el producto sea recibido por el comprador usuario inicial o su representante autorizado (p. ej., el contratista de instalaciones).

Cartuchos de los filtros, incluso los prefiltros, los remineralizadores y los repuestos: Durante los treinta (30) días siguientes a la fecha en que el producto sea recibido por el comprador inicial o su representante autorizado (p. ej., el contratista de instalaciones).

¿Qué haremos?: Según corresponda, durante los periodos de garantía que se indican más arriba Brizo Kitchen & Bath Company arreglará o cambiará gratis las piezas que tuvieren defectos de material o por la mano de obra, si la instalación, uso y mantenimiento del sistema han sido normales. A su entera discreción, Brizo Kitchen & Bath Company podrá utilizar piezas o productos nuevos, reacondicionados o rehologados para hacer dichos arreglos o cambios. Si el arreglo o cambio en cuestión carecieren de sentido, Brizo Kitchen & Bath Company podrá optar por reembolsar el precio de compra (Brizo Kitchen & Bath Company podrá exigir la devolución del producto como contraprestación). **Estos son sus únicos recursos.**

¿Qué no está cubierto?: Como Brizo Kitchen & Bath Company no puede controlar la calidad de los productos de Brizo vendidos por vendedores no autorizados, esta garantía no cubrirá los productos de Brizo vendidos por vendedores no autorizados, a menos que la ley lo prohíba.

Los gastos por trabajos en que incurriere el comprador por arreglar, cambiar, instalar o desinstalar el producto no estarán cubiertos por la presente garantía. Brizo Kitchen & Bath Company no será responsable por los daños resultantes del desgaste natural; el uso al aire libre; el uso indebido, incluso el uso del producto con fines diferentes de los pretendidos; el maltrato; el descuido; o la instalación, el mantenimiento o el arreglo incorrectos o inadecuados, incluso no seguir las indicaciones pertinentes de cuidado y mantenimiento. Brizo Kitchen & Bath Company recomienda recurrir a un plomero profesional para todas las instalaciones y arreglos. Asimismo, recomendamos que solo se usen repuestos auténticos de Brizo®.

¿Qué tengo que hacer para recibir el servicio de garantía o los repuestos?: Los reclamos de garantías y los repuestos pueden hacerse o recibirse respectivamente llamando al 1 877 345 2749 o contactándonos por correo postal o internet de la siguiente forma (incluya el número de modelo, la fecha de la compra inicial y la documentación de la fecha de recibo del producto por el comprador inicial o su representante autorizado [p. ej., el contratista de instalaciones]):

En Estados Unidos

Brizo Kitchen & Bath Company

55 E. 111th Street

Indianapolis, IN 46280

Attention: Warranty Service

<https://www.brizo.com/customer-support/contact-us>

Para hacer reclamos de garantías, el comprobante de compra (el recibo de la venta inicial con la fecha de compra) y la documentación de la fecha de recibo del producto por el comprador inicial o su representante autorizado (p. ej., el contratista de instalaciones) tienen que ponerse previamente a disposición de Brizo Kitchen & Bath Company, a menos que el comprador haya registrado el producto en cuestión ante Brizo Kitchen & Bath Company. Esta garantía vale únicamente para los productos instalados en los Estados Unidos de América.

Limitación de la duración de las garantías implícitas. Note que algunos estados no permiten limitar la duración de las garantías implícitas, así que es posible que las limitaciones de más abajo no sean aplicables a usted. A NO SER QUE EL DERECHO VIGENTE ESTABLEZCA OTRA COSA, LA DURACIÓN DE LAS GARANTÍAS IMPLÍCITAS, INCLUSO LAS GARANTÍAS IMPLÍCITAS DE LA COMERCIALIDAD Y DE LA IDONEIDAD PARA LOS USOS QUE SON PROPIOS, SE LIMITA AL PLAZO DE PRESCRIPCIÓN LEGAL O A LA DURACIÓN DE ESTA GARANTÍA (LO QUE SEA MENOR).

Limitaciones relativas a los daños especiales, incidentales o indirectos. Note que algunos estados no permiten excluir o limitar la responsabilidad por los daños especiales, incidentales o indirectos, así que es posible que las limitaciones y exclusiones de más abajo no sean aplicables a usted. A NO SER QUE EL DERECHO VIGENTE ESTABLEZCA OTRA COSA, LA PRESENTE GARANTÍA NO CUBRIRÁ, Y BRIZO KITCHEN & BATH COMPANY NO SERÁ REponsable POR, LOS DAÑOS ESPECIALES, INCIDENTALES O INDIRECTOS, INCLUSO LOS GASTOS POR TRABAJOS EN QUE INCURRIERE EL COMPRADOR POR ARREGLAR, CAMBIAR, INSTALAR O DESINSTALAR EL PRODUCTO, RESULTANTES DE INCUMPLIMIENTOS, INCLUSO DE GARANTÍAS EXPRESAS O IMPLÍCITAS, DEL CONTRATO O DE RESPONSABILIDADES EXTRA CONTRACTUALES. BRIZO KITCHEN & BATH COMPANY NO SERÁ RESPONSABLE POR LOS DAÑOS RESULTANTES DEL DESGASTE NATURAL; EL USO AL AIRE LIBRE; EL USO INDEBIDO, INCLUSO EL USO DEL PRODUCTO CON FINES DIFERENTES DE LOS PRETENDIDOS; EL MALTRATO; EL DESCUIDO; O LA INSTALACIÓN, EL MANTENIMIENTO O EL ARREGLO INCORRECTOS O INADECUADOS, INCLUSO NO SEGUIR LAS INDICACIONES PERTINENTES DE INSTALACIÓN CUIDADO Y MANTENIMIENTO. BAJO NINGUNA CIRCUNSTANCIA NUESTRA RESPONSABILIDAD PECUNIARIA POR INCUMPLIMIENTOS DE LA PRESENTE GARANTÍA LIMITADA PODRÁ SER MAYOR QUE LA SUMA PAGADA POR USTED POR EL PRODUCTO DEFECTUOSO.

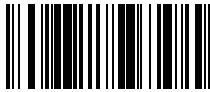
Otros derechos: La presente garantía le otorga derechos legales específicos, y es posible que tenga otros derechos en función del estado en que reside.

La presente es la única garantía escrita de Brizo Kitchen & Bath Company y no es transferible.

Si tiene dudas o preguntas sobre el apoyo técnico, la instalación o nuestra garantía, contáctenos a través de los canales de más arriba o visite nuestro sitio web: www.brizo.com.

BRIZO®

116035



X00116035

SYSTÈME DE FILTRATION À OSMOSE INVERSE SANS RÉSERVOIR PRISTIVE^{MC}

Model Number: BWQ1001012

Date d'achat : _____

Enregistrez le produit en ligne à
www.brizo.com/customer-support/product-registration



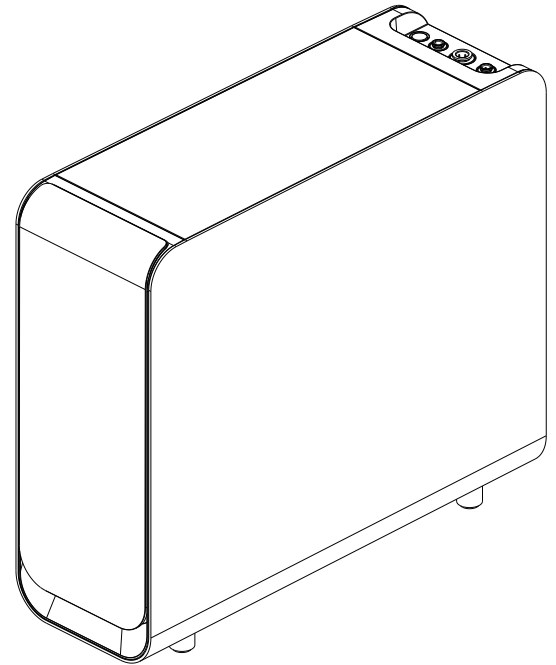
1-877-345-BRIZO (2749)
www.brizo.com/customer-support

Lisez toutes les instructions avant de débiter l'installation.

⚠ ATTENTION

L'omission de lire les présentes instructions avant l'installation peut être entraîner des blessures, des dommages matériels ou le bris du produit. Le fabricant n'assume aucune responsabilité en cas de bris du produit causé par une mauvaise installation.

Pour avoir accès aux numéros de référence des pièces de rechange, à des documents techniques supplémentaires et à des renseignements sur le produit, allez à www.brizo.com



NUMÉRISEZ LE CODE POUR AVOIR ACCÈS À
LA FICHE TECHNIQUE
ou allez à www.brizo.com/pristine-tankless-spec



Ce système est certifié conforme à la norme ASSE 1086 et aux normes NSF/ANSI 372, 42, 53, 58, 401 et Protocole P231 par l'IAPMO R&T, c'est-à-dire que ses caractéristiques de réduction des concentrations de substances et d'efficacité ont été vérifiées et confirmées par des données d'essai. Consultez la fiche technique pour obtenir plus de renseignements.

! NE PAS JETER!

Il s'agit d'une référence pour l'entretien à long terme. Conserver avec le propriétaire du système.

Avant de débiter : Lisez toutes les instructions avant d'utiliser cet appareil.

Lisez ce manuel entièrement et assurez-vous de bien en comprendre le contenu pour éviter les blessures ou les dommages matériels au cours de l'installation et de l'utilisation de ce produit.

Vérifiez les exigences du code de plomberie en vigueur dans votre région avant d'installer le système de filtration d'eau et respectez-les.

AVERTISSEMENT

Évitez d'utiliser de l'eau qui est contaminée par des microorganismes ou dont la qualité est inconnue sans la désinfecter adéquatement en amont ou en aval du système. Les systèmes homologués pour la réduction des oocystes peuvent être utilisés avec de l'eau désinfectée qui peut contenir des oocystes filtrables.

AVERTISSEMENT

Ce système peut être alimenté par de l'eau traitée qui satisfait aux normes applicables aux réseaux d'eau publics. Les essais effectués avec ce système démontrent qu'il réduit efficacement la présence des microcystines. Toutefois, en cas de signalement de la présence de cyanotoxines dans votre eau, veuillez suivre les recommandations de l'autorité responsable de la qualité de l'eau potable. D'autres cyanotoxines que ce système n'est pas en mesure de retirer efficacement peuvent être présentes dans l'eau potable.

AVERTISSEMENT

Ne laissez pas des enfants de moins de 3 ans avoir accès à de petites pièces pendant l'installation de ce produit.

Arsenic

L'Arsenic (dont l'abréviation est As) se trouve naturellement dans l'eau de puits. L'arsenic dans l'eau est incolore, insipide et inodore. Sa concentration se mesure au moyen d'une analyse en laboratoire. Les autorités responsables des réseaux d'eau publics doivent effectuer des analyses pour déterminer la teneur en arsenic de l'eau. Vous pouvez obtenir les résultats en vous adressant à l'autorité responsable du réseau d'eau potable de votre municipalité. Si votre eau provient d'un puits, vous pouvez la faire analyser. Le service de santé de votre région ou l'agence de santé environnementale de l'État peut vous fournir la liste des laboratoires certifiés. Vous pouvez trouver des renseignements au sujet de l'arsenic présent dans l'eau sur le site de l'Environmental Protection Agency des États-Unis : epa.gov/safewater/arsenic. Ce système a fait l'objet d'essais portant sur le traitement de l'eau qui renferme de l'arsenic pentavalent (également appelé As(V), As(+5) ou arséniate) en concentrations de 0,3 mg/L ou moins. Ce système enlève l'arsenic pentavalent, mais n'enlève pas les autres formes d'arsenic. Ce système peut être alimenté par de l'eau qui renferme du chlore à l'état libre résiduel détectable ou par de l'eau dont on a démontré qu'elle contient uniquement de l'arsenic pentavalent. Le traitement avec de la chloramine (chlore combiné) n'est pas suffisant pour convertir l'arsenic trivalent en arsenic pentavalent. Veuillez consulter la section intitulée Faits concernant l'arsenic de la fiche technique pour obtenir plus de renseignements.

* Si l'eau d'alimentation contient des concentrations d'arsenic supérieures à 100 ppb ou 0,1 mg/L, nous vous recommandons de remplacer la cartouche de filtration au charbon tous les 6 mois pour conserver l'efficacité de votre système à osmose inverse.

Trousse d'analyse pour la mesure des concentrations de nitrate et de nitrite :

Cette analyse sert à mesurer les concentrations de nitrate et de nitrite sous la forme d'azote (N). Le nitrate et le nitrite présents dans l'eau proviennent des engrais utilisés pour l'agriculture, des déchets biologiques et industriels ainsi que des dépôts de minéraux naturels. Pour obtenir plus de renseignements, allez à <https://www.epa.gov/dwreginfo/chemical-contaminant-rules>.

Les concentrations maximales acceptables (CMA) établies par l'EPA pour le nitrate et le nitrite sont respectivement de 10 ppm et de 1 ppm. Des concentrations de nitrite supérieures à la limite fixée par l'EPA peuvent indiquer la présence de bactéries.

- Nitrate total (NO₃-N)
CMA EPA = 10 ppm de nitrate sous la forme d'azote (NO₃)
- Nitrite total (NO₂-N)
CMA EPA = 1 ppm de nitrite sous la forme d'azote (NO₂)

PROCÉDURE D'ANALYSE :

Retirez 1 bandelette d'analyse de l'emballage en pellicule métallique, puis plongez la bandelette pendant 2 secondes dans une tasse d'eau. Retirez la bandelette et tenez-la de manière que les tampons se trouvent orientés vers le haut.

NE SECOUEZ PAS LA BANDELETTE POUR ENLEVER L'EXCÈS D'EAU.

Attendez 60 secondes, puis comparez la couleur sur la bandelette avec le code de couleurs de la trousse d'analyse dans les 60 secondes qui suivent.

- **N'introduisez pas vos doigts à l'intérieur de l'emballage en pellicule métallique s'ils sont mouillés.**
- **Rangez l'emballage au frais et au sec.**

Ce système est en mesure de traiter une eau brute dont les concentrations de nitrate et de nitrite en combinaison mesurées sous la forme d'azote ne sont pas supérieures à 27 mg/L et à 3 mg/L respectivement et il est homologué pour réduire la concentration de nitrate et de nitrite uniquement si la pression de l'eau d'alimentation est de 50 lb/po² ou plus.

* Ce système est livré avec une trousse d'analyse pour la mesure des concentrations de nitrate et de nitrite qui est destinée à l'analyse de l'eau au moment de l'installation. Toutefois, aux fins d'entretien, l'eau filtrée doit être vérifiée périodiquement et analysée tous les 6 mois.

* Vérifiez la date de péremption de vos bandelettes d'analyse. Si elles sont périmées, veuillez communiquer avec le Service à la clientèle pour les remplacer.



Veillez respecter tous les codes en vigueur dans votre région et votre État.



- Ce dispositif de filtration de l'eau n'enlève pas tous les contaminants et les substances qui se trouvent dans l'eau. Veuillez consulter la fiche technique pour obtenir des renseignements sur l'efficacité et les contaminants.
- Ce système doit être alimenté par de l'eau froide seulement.
- Ce système de filtration n'est pas conçu pour transformer des eaux usées ou des eaux d'égout en eau potable.
- Il y a un risque d'exposition à des contaminants si ce système n'est pas entretenu et utilisé conformément aux instructions contenues dans le manuel d'installation qui suit.
- Les contaminants ou les autres substances retirés par ce système de filtration peuvent ne pas être présents dans votre eau. Veuillez consulter la fiche technique pour obtenir des renseignements sur les contaminants et la réduction de leur concentration.
- Ce produit a une durée utile limitée. Conservez un dossier faisant état de la date d'installation et de l'entretien effectué ou du remplacement des cartouches de filtration. Étant donné que ce produit a une durée de vie limitée, remplacez-le tous les 10 ans pour prévenir les réparations coûteuses ou les dommages matériels.

Installations dans le Commonwealth du Massachusetts :

- Le Commonwealth du Massachusetts exige que l'installation soit effectuée par un plombier autorisé et interdit l'utilisation de robinets à sellette. Les dispositions à ce sujet contenues dans le code de plomberie 248-CMR du Commonwealth du Massachusetts doivent être respectées.

AVIS

Pour réduire le risque de dommages matériels causés par une fuite d'eau :

- Lisez ces instructions avec d'installer et d'utiliser le système, et respectez-les.
- Installez et utilisez le système conformément aux codes de plomberie en vigueur dans votre région et votre État.
- Évitez d'installer l'appareil à un endroit où il peut être exposé au gel, au rayonnement solaire direct ou à la chaleur.
- La pression d'eau d'alimentation ne doit pas dépasser 80 lb/po2.
- Faites le nécessaire pour atténuer les coups de bélier.
- Installez un clapet antiretour.
- Évitez d'utiliser un chalumeau ou une autre source de chaleur intense près du système de filtration, des cartouches, des raccords en plastique ou de la tuyauterie en plastique.
- N'utilisez jamais de composé d'étanchéité, de pâte lubrifiante ou de ruban d'étanchéité sur les raccords en plastique.
- Lorsque vous serrez les raccords en plastique avec une pince ou une clé à tuyauterie, prenez garde de serrer excessivement pour ne pas les abîmer.
- Disposez le système de manière à ce qu'il ne soit pas heurté par d'autres objets utilisés à cet endroit.
- Évitez d'installer le système si des pièces sont manquantes. Communiquez avec le Service à la clientèle de Delta au 1-800-345-3358 pour obtenir des pièces de rechange. Inspectez régulièrement la tuyauterie et la robinetterie d'alimentation pour tenter de déceler la présence de dommages. Réparez ou remplacez les articles en mauvais état.
- Remplacez les cartouches de filtration sans tarder lorsqu'elles arrivent à la fin de leur durée utile ou lorsque vous constatez une diminution notable du débit.
- Après une période d'inutilisation prolongée, rincez le système à fond pendant environ 10 minutes. Si le système sera inutilisé pendant un certain temps, fermez le robinet d'alimentation et retirez les cartouches de filtration. Placez les cartouches de filtration dans un sac, puis fermez le sac et mettez-le au réfrigérateur (N'EXPOSEZ JAMAIS LES CARTOUCHES AU GEL) pour conserver leur capacité filtrante restante autant que possible. Débranchez ensuite l'appareil. (Consultez la section intitulée Entretien et maintenance pour obtenir plus de renseignements au sujet d'un arrêt prolongé.)
- Si vous devez interrompre l'alimentation en eau de l'appareil pour une raison quelconque, débranchez-le.
- Le système de filtration à osmose inverse renferme un élément remplaçable qui sert au traitement de l'eau. Cet élément est essentiel pour réduire efficacement la teneur totale en matières dissoutes (TTMD) et vous devez analyser l'eau filtrée périodiquement pour vous assurer que le système fonctionne correctement.

Le débit à la sortie est déterminé par 4 facteurs :

1. Température de l'eau d'alimentation.
2. Teneur totale en matières dissoutes (TTMD) dans l'eau d'alimentation.
3. Pression de l'eau d'alimentation.
4. Restriction du débit à la sortie (robinet avec limiteur de débit, distance entre l'appareil et le robinet ou le réfrigérateur).

Les températures plus basses ont un effet proportionnel direct sur le débit. Toutes les membranes sont testées à une température de 77 °F (25 °C). La température de l'eau d'alimentation ne doit pas dépasser 90 °F (32 °C). Le système de filtration à osmose inverse ne doit pas être installé à un endroit où il risque d'être exposé au gel. Plus la teneur totale en matières dissoutes (TTMD) de l'eau d'alimentation est importante, plus le temps de filtration de l'eau est important. La TTMD de l'eau d'alimentation ne doit pas dépasser 1 000 ppm. Une pression d'eau plus forte procure un débit plus élevé. La pression d'eau doit être supérieure à 40 lb/po2 pour que le système fonctionne bien. Pensez à installer une pompe de gavage si la pression est inférieure à 40 lb/po2.

Contenu de l'emballage

Inspectez l'emballage

Ouvrez l'emballage et jetez un coup d'œil sur tous les composants et les raccords ainsi que sur le système à osmose inverse pour pouvoir l'installer facilement et rapidement. Inspectez le contenu de l'emballage en ayant la liste des pièces en main pour vous assurer que rien ne manque ou n'a été endommagé en cours d'expédition. Si une pièce quelconque est fissurée ou brisée, n'installez pas le produit et communiquez avec le Service à la clientèle au 1-877-345-BRIZO (2749).

Caractéristiques techniques

Pour que le système ait un rendement optimal, il est fortement recommandé de l'utiliser en respectant les paramètres de fonctionnement.

| MODÈLE | BWQ1001012 |
|--|---|
| Dimensions du système (Long.*Larg.*Haut) | 18 po (long.) x 6 1/4 po (larg.) x 16 po (haut.) |
| Température ambiante | 39°F-104°F / 4°C-40°C |
| Humidité ambiante | ≤90% |
| Pression de l'eau brute | 20 - 80 lb/po2 / 0,14 - 0,6 MPa |
| Température de l'eau brute | 41°F-100°F / 5°C-38°C |
| Caractéristiques de l'eau brute requises | Source d'eau potable (*Reportez-vous au tableau des caractéristiques de l'eau brute) |
| Débit quotidien | 800 gallons par jour |
| Alimentation électrique | Entrée : 100 ~ 240 V c.a. |
| | Sortie : 24 V c.c. |
| Durée utile nominale | 1320 gal. / 5000 L |
| Débit d'eau pure nominal | 2.1 L/min |

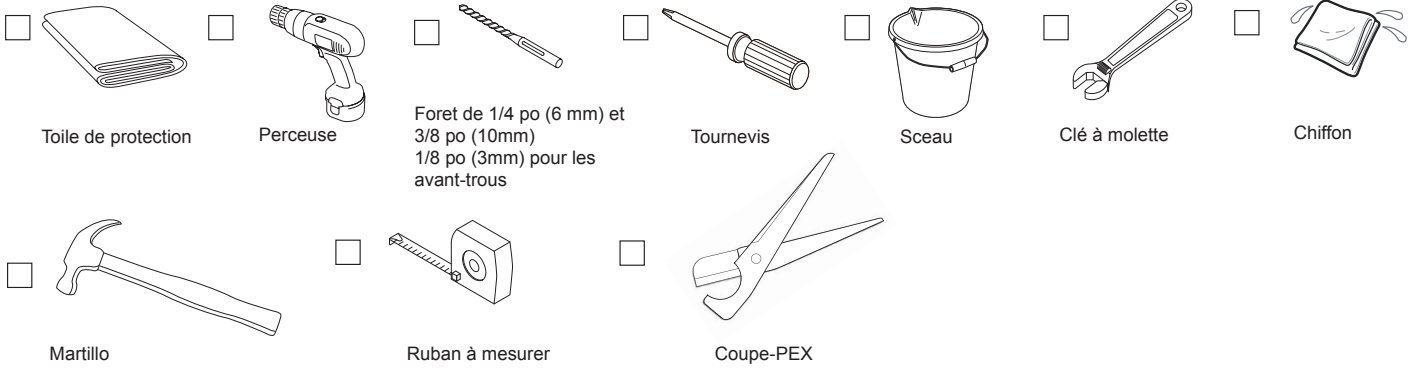
NOTE:

- La capacité de production quotidienne est mesurée alors que la pression dynamique et la température de l'eau brute sont respectivement de 30 lb/po2 et de 77 °F (25 °C).
- Si la pression de l'eau d'alimentation est trop élevée, un détendeur de pression doit être installé (doit être acheté séparément).

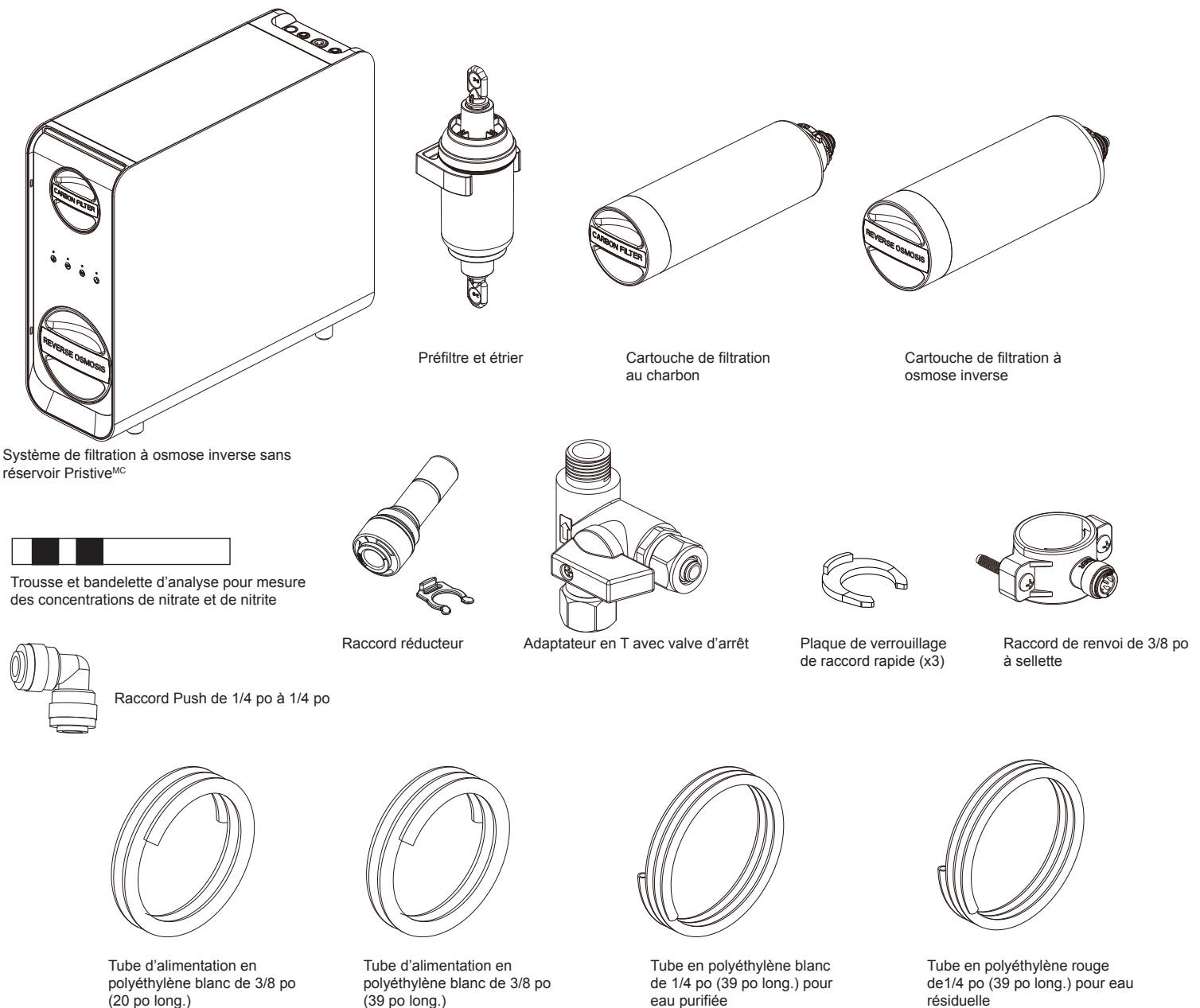
| Caractéristiques de l'eau brute | Min. | Max. | Unités |
|---------------------------------|---|------|--|
| Turbidité | 0 | 1 | NTU |
| pH | 4 | 10 | pH |
| Chlore | DéTECTABLE* | 2 | ppm |
| Dureté | 0 | 19 | GPG - pH de 7.3 (conformément à la norme ASSE 1086) |
| Sulfure, fer ou manganèse | Une concentration maximale totale de 0,01 ppm est permise | | |

- Assurez-vous que l'eau est conforme aux exigences de qualité.
- Si la qualité de l'eau d'alimentation est inconnue, communiquez avec la municipalité ou le service de santé de votre région pour obtenir la liste des contaminants présents dans l'eau de votre secteur et la liste des laboratoires spécialisés dans les analyses d'eau potable certifiés par votre État, votre province ou votre territoire.
- Le fait d'alimenter cet appareil avec de l'eau qui ne satisfait pas aux exigences de qualité peut nuire au bon fonctionnement de celui-ci, c'est-à-dire réduire le débit, la capacité de filtration et/ou la durée utile des cartouches de filtration.
- Utilisez uniquement des composants et des cartouches de filtration de rechange authentiques de Brizo Kitchen and Bath Company pour vous assurer que le système conserve son efficacité et continue d'enlever les contaminants.

LISTE DE VÉRIFICATION DES OUTILS ET DES MATÉRIAUX



LISTE DES PIÈCES



RACCORDEMENT AU ROBINET D'ALIMENTATION EN EAU FROIDE

Le système à osmose inverse doit être raccordé à la tuyauterie d'eau FROIDE seulement. L'appareil à osmose inverse doit être installé à la verticale sur une surface plane de niveau et il ne peut être suspendu ou fixé sur un support après l'assemblage.

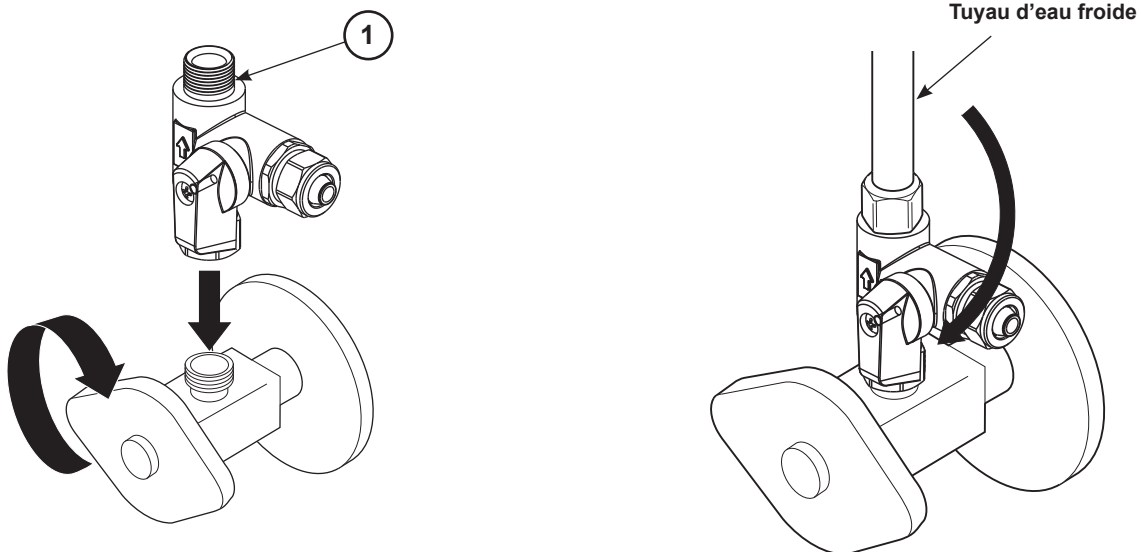
⚠ AVERTISSEMENT

- N'INSTALLEZ PAS le système à un endroit où il peut être exposé au soleil ou à des produits chimiques nocifs ni à un endroit où il risque d'être endommagé.
 - N'INSTALLEZ PAS le système près d'une source de chaleur.
 - N'INSTALLEZ PAS le système à l'extérieur.
- Fermez le robinet d'alimentation en eau froide, puis ouvrez le robinet de l'évier de cuisine (pour relâcher la pression). Assurez-vous que l'eau cesse de s'écouler avant de passer à l'étape suivante. Vous pourrez avoir besoin d'un seau et d'un chiffon pour récupérer le surplus d'eau.
 - Débranchez le tuyau d'eau froide du robinet d'alimentation en eau froide.
 - Raccordez l'adaptateur en T (fourni avec l'appareil) au robinet d'alimentation. Serrez-le à la main, puis faites un quart de tour supplémentaire avec une clé à molette. **NOTE** : N'utilisez pas de ruban à plomberie ou de la pâte lubrifiante sur les raccords.
 - Rebranchez la tuyau d'eau froide non filtrée (1) à l'adaptateur en T. Serrez le raccord à la main, puis faites un quart de tour supplémentaire avec une clé à molette. **NOTE** : Vissez le raccord soigneusement pour éviter d'abîmer les filets.
 - Inspectez le tuyau souple soigneusement pour vous assurer qu'il est bien branché. Assurez-vous que la valve d'arrêt de l'adaptateur en T est fermée.

IMPORTANT

Les tubes fournis avec ce système ne sont pas conçus pour être utilisés avec des viroles de raccord à compression et ils doivent être branchés uniquement avec les raccords fournis ou avec des raccords push.

Si des clapets anti-retour sont installés sur votre vanne d'arrêt, assurez-vous qu'ils sont installés entre la monture T et le robinet de la cuisine.

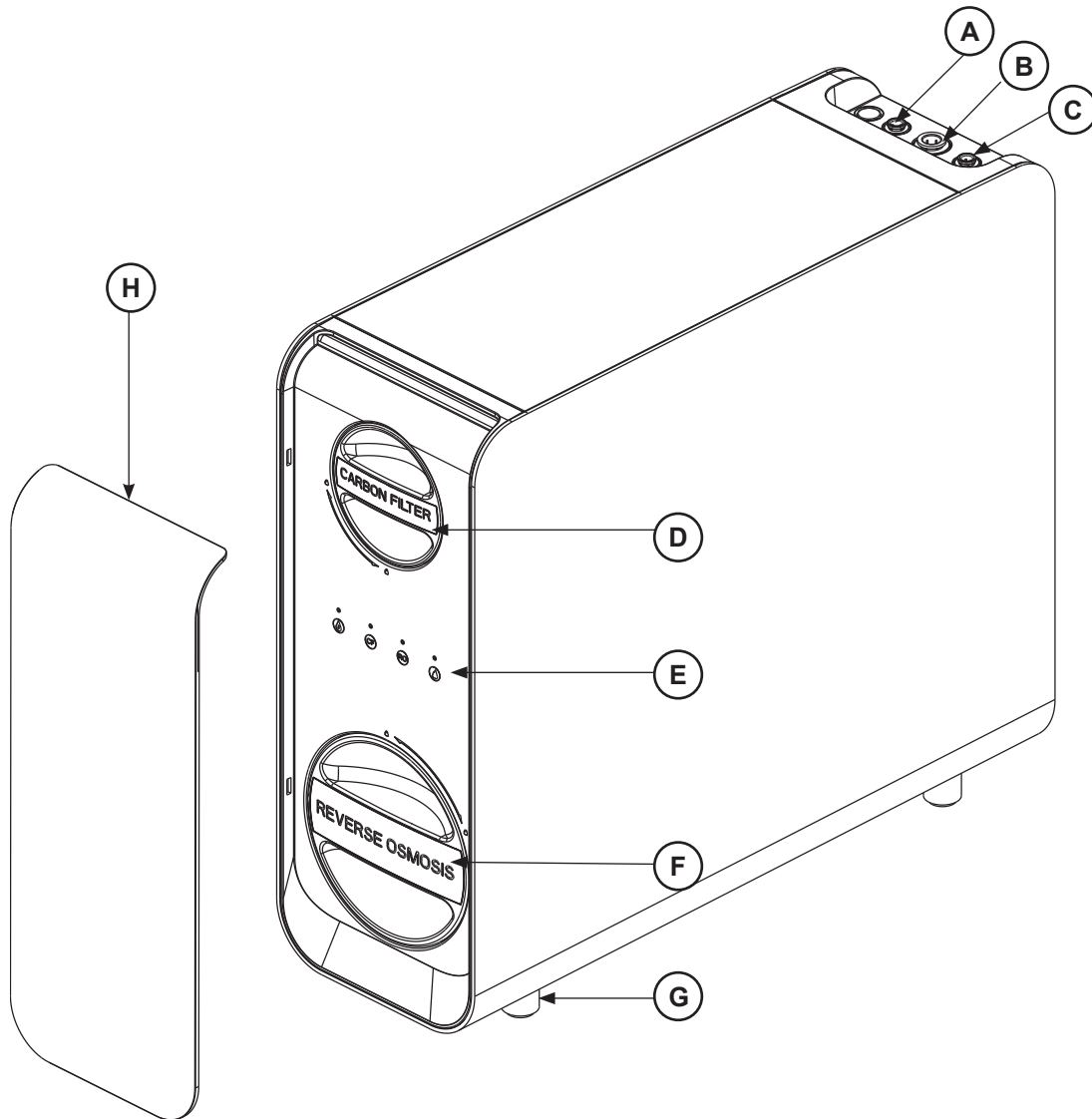


IMPORTANT

Si un robinet n'est pas déjà installé ARRÊTEZ et suivez toutes les instructions d'installation du fabricant du robinet.

APERÇU DU PRODUIT

Voici une brève introduction aux différentes pièces et caractéristiques de votre système à osmose inverse. Veuillez examiner chacune des pièces afin de pouvoir effectuer l'installation en douceur.



| PIÈCE | DESCRIPTION |
|-------|--|
| A | Sortie d'eau résiduelle (1/4 po rouge) |
| B | Entrée d'eau d'alimentation (3/8 po blanc) |
| C | Sortie d'eau purifiée (1/4 po blanc) |
| D | Cartouche de filtration au charbon |
| E | Panneau d'affichage |
| F | Cartouche de filtration à osmose inverse |
| G | Pied |
| H | Cubierta frontal decorativa |

2

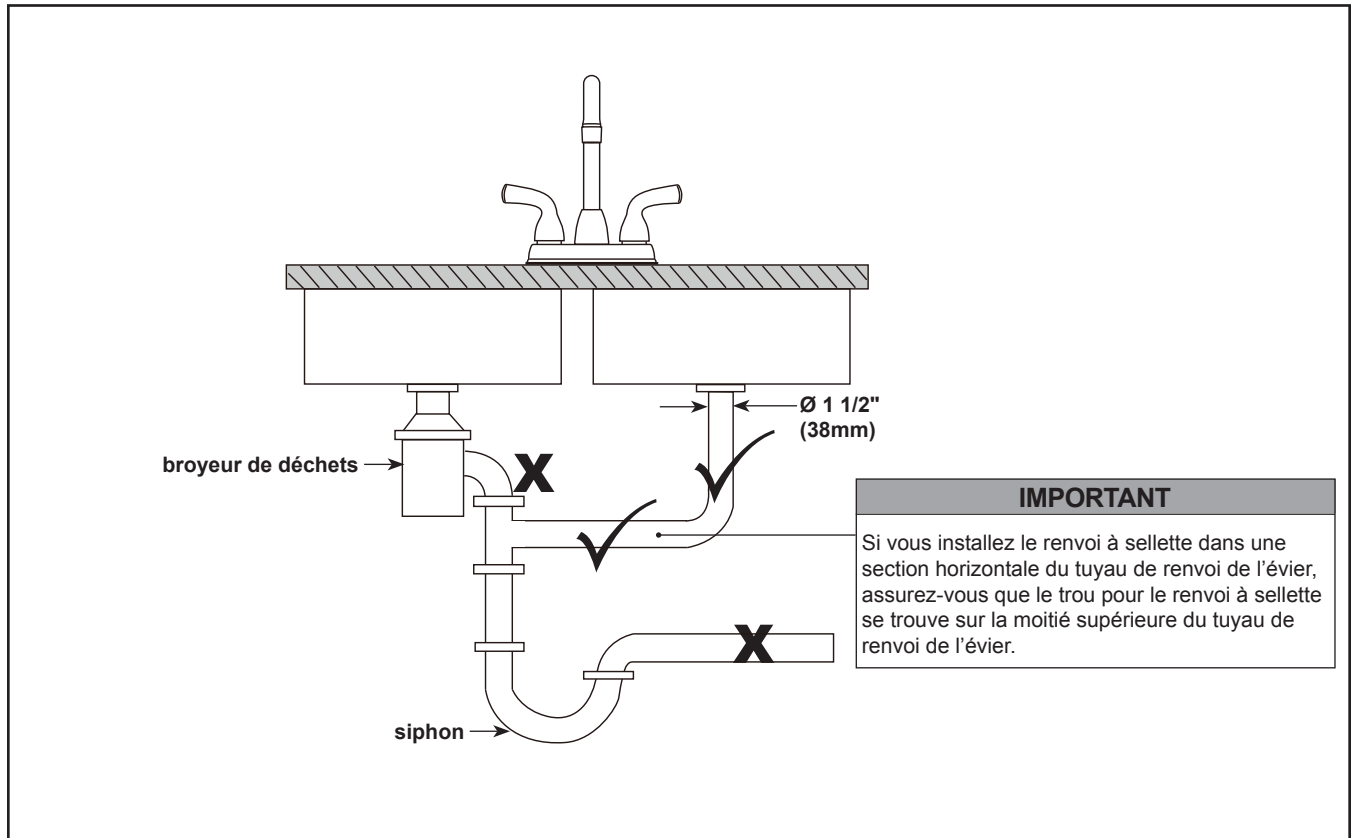
PRÉPARATION DU RACCORDEMENT DU RENVOI À SELLETTE

Le système à osmose inverse nécessite l'installation d'un renvoi à sellette pour le rejet de l'eau résiduelle à l'égout. Le renvoi à sellette fourni sert évacuer l'eau résiduelle de l'appareil dans le renvoi de l'évier. Le renvoi à sellette est conçu pour être monté autour d'un tuyau de renvoi standard ayant un diamètre extérieur de 1 1/2 po.

NOTE : Si vous installez le système dans une région où l'installation de celui-ci doit satisfaire aux exigences du code de plomberie IPC ou du code de plomberie UPC, vous devez utiliser un adaptateur pour tuyau de renvoi conforme aux exigences du code applicable (reportez-vous à la figure 3B).

Installez toujours le renvoi à sellette EN AMONT du siphon. Consultez l'image pour vous assurer de placer le renvoi à sellette dans la section verticale ou horizontale appropriée du tuyau de renvoi de l'évier.

N'installez pas le renvoi à sellette dans une section de la tuyauterie de renvoi qui se trouve en aval d'un broyeur de déchets ou d'un renvoi de lave-vaisselle, autrement le renvoi du système pourrait se bloquer.



3

RACCORDEMENT DU RENVOI À SELLETTE

- Déterminez l'emplacement du renvoi à sellette et faites une marque sur le tuyau pour indiquer l'ouverture.

NOTE : Si vous installez le renvoi sur une section horizontale du tuyau de renvoi de l'évier, assurez-vous que le trou pour le renvoi du système se trouve sur la moitié supérieure du tuyau de renvoi de l'évier.

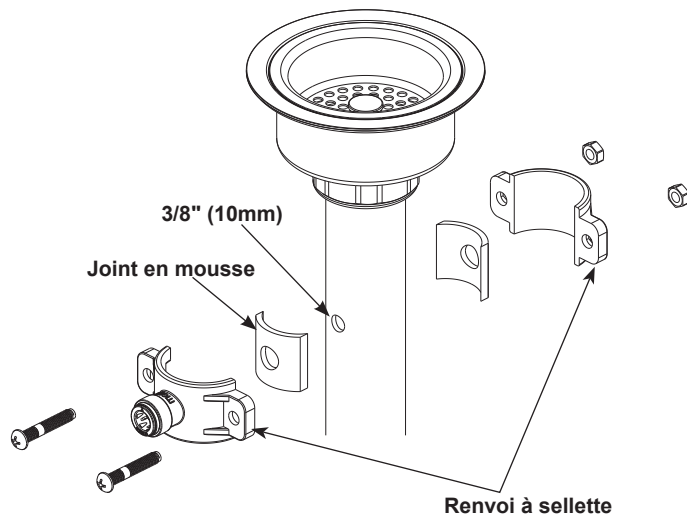
- À l'endroit indiqué par la marque, percez un trou de 3/8 po dans la paroi du tuyau de renvoi de l'évier.
- Retirez la pellicule du joint en mousse et placez celui-ci autour du trou du renvoi à sellette (le côté adhésif doit se trouver du côté du renvoi à sellette).
- Placez les deux moitiés du renvoi à sellette autour du tuyau de renvoi de l'évier en prenant soin de faire correspondre l'ouverture avec le trou percé. Introduisez un crayon ou une paille dans l'ouverture pour vous assurer qu'elle est bien alignée avec le trou.
- Fixez les deux moitiés du renvoi à sellette avec les boulons et les écrous fournis. Prenez garde trop serrer.

CONSEIL : Si la tuyauterie du robinet est munie d'un dispositif de coupure antiretour, le raccord réducteur peut ne pas être nécessaire.

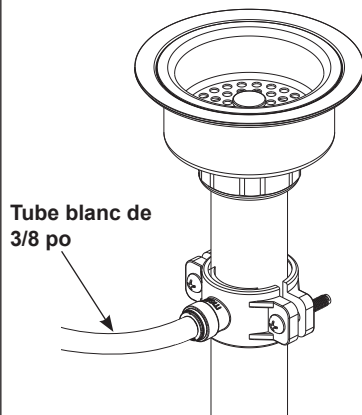
IMPORTANT

Risque de dommages matériels. Prenez garde de percer la paroi du côté opposé du tuyau de renvoi de l'évier.

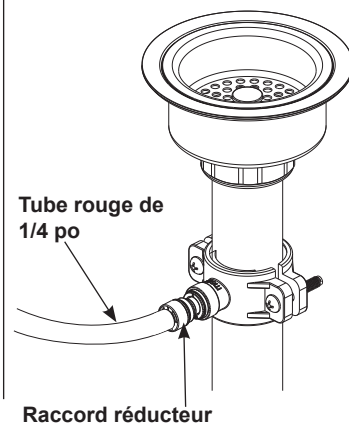
3A. Raccordement du renvoi à sellette



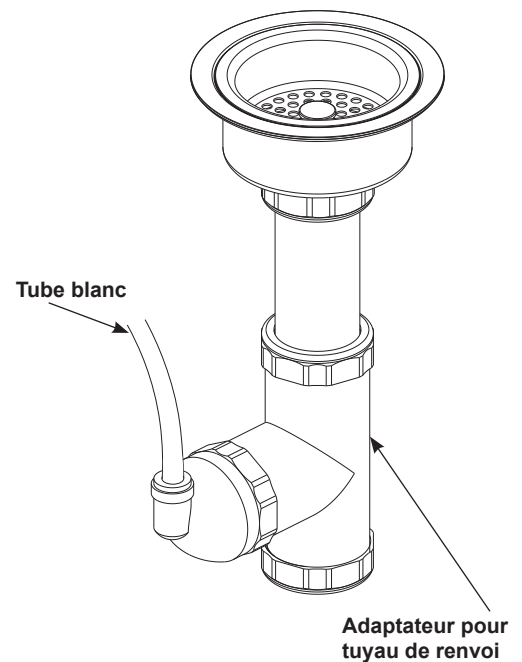
Sans raccord réducteur



Avec raccord réducteur



3B. Adaptateur pour tuyau de renvoi (non inclus)



Installez l'adaptateur conformément aux instructions du fabricant

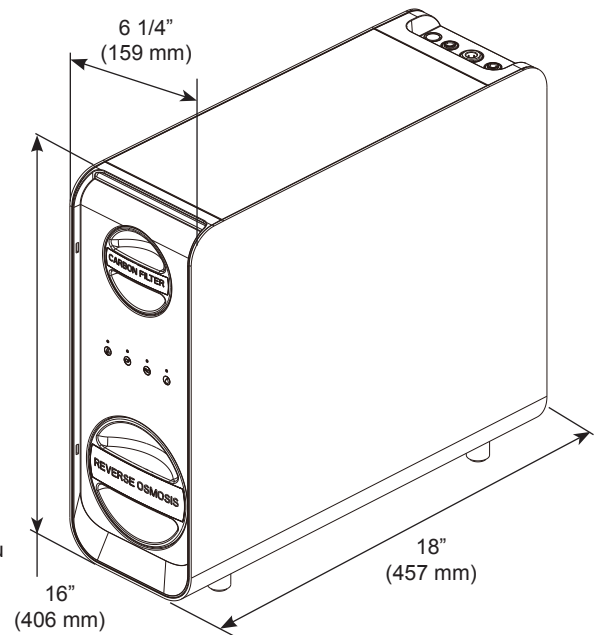
4

INSTALLATION DU BOÎTIER DU SYSTÈME À OSMOSE INVERSE

Assurez-vous qu'il y a suffisamment d'espace dans l'armoire pour installer le système de filtration (18 po x 6 1/4 po x 16 po) et en faire l'entretien. Disposez l'appareil de manière que le panneau frontal soit orienté vers vous. Vous pourrez ainsi voir le panneau d'affichage et savoir quand les cartouches de filtration devront être remplacées.

NOTE : Nous vous déconseillons de placer l'appareil à un endroit où il sera en contact avec l'armoire ou la tuyauterie car il pourra y avoir de légères vibrations lorsque le système fonctionnera.

- La prise de courant pour l'appareil doit être installée dans une armoire ou contre un mur à un endroit situé tout près de l'espace sous le comptoir où l'appareil doit être installé.
 - Au besoin, il doit y avoir dans la cloison séparant la prise de courant de l'espace mentionné au paragraphe (a) où l'appareil doit être installé une ouverture assez grande pour permettre l'introduction de la fiche. Le diamètre de l'ouverture ne doit pas dépasser 1 1/2 po (38 mm).
 - Les bords de l'ouverture mentionnée au paragraphe (b) doivent être lisses et arrondis si celle-ci est en bois ou recouverts par un couvre-bordure (non fourni) conçu à cet effet par le fabricant si la cloison est en métal.
- Prenez garde d'abîmer le cordon d'alimentation au moment de l'installation ou de la dépose de l'appareil.
- L'appareil à osmose inverse doit être installé à la verticale sur une surface plane. Il ne peut être suspendu ou fixé sur un support après l'assemblage.



IMPORTANT

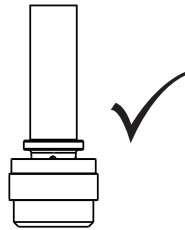
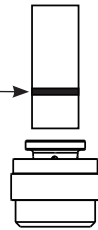
L'appareil pourra occasionner des dommages matériels ou mal fonctionner s'il n'est pas installé debout sur une surface de niveau.

Comment utiliser les raccords rapides

Méthode correcte

Installation incorrecte

Marque pour insertion complète →



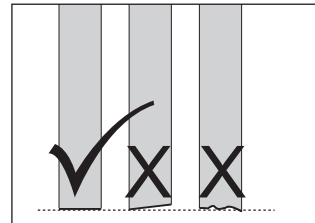
Si le tuyau souple ou le tube ne comporte pas déjà une marque de profondeur d'insertion ou si pour effectuer l'installation vous devez sectionner le tuyau ou le tube, faites une marque autour de celui-ci avec un marqueur à 5/8 po de son extrémité. Il s'agira de votre repère de profondeur d'insertion. Introduisez ensuite le tuyau ou le tube jusqu'à ce que la marque ne soit plus visible.

IMPORTANT

Si vous déterminez que les tubes sont trop longs et que vous devez les raccourcir pour faire une installation acceptable, examinez d'abord la situation. Lorsqu'il sectionne un tube qui renfermera de l'eau, l'installateur est tenu de le faire d'une manière qui permettra la réalisation d'un joint étanche. Delta Faucet Company ne peut être tenue responsable de ce qui adviendra si l'utilisateur sectionne un tube et celui est trop court après avoir été sectionné ou si le tube a été sectionné d'une manière qui ne permet pas la réalisation d'un joint étanche. N'appliquez pas de pâte lubrifiante ni d'autres produits d'étanchéité sur les raccords de la tuyauterie.

Raccordements sur mesure

- Déterminez la longueur que doit avoir le tube d'alimentation et ajoutez 1 ou 2 pouces pour faciliter l'installation.
- Sectionnez le tube en prenant soin de faire une coupe droite et d'enlever les ébarbures.



5

EXÉCUTION DE L'INSTALLATION

5A. Tuyau d'arrivée d'eau

- Réunissez les tuyaux de polyéthylène de 3/8 po blancs (39 po et 20 de longueur) ainsi que le préfiltre.
- Trouvez un bon endroit pour monter le préfiltre dans l'espace. Assurez-vous que l'emplacement choisi vous permettra de raccorder le préfiltre correctement. Consultez la figure 1 pour voir comment l'orienter.
NOTE : Selon l'espace dont vous disposez pour l'installation, vous pouvez raccorder le tuyau le plus long ou le plus court en premier, mais nous vous conseillons de raccorder le tuyau le plus long (longueur de 39 po) en premier aux points (1) et (2), puis de raccorder le tuyau le plus court aux points (3) et (4) (reportez-vous à la figure 4).
- Marquez l'emplacement prévu pour l'étrier à l'aide d'un crayon.
- Installez l'étrier à l'endroit déterminé aux étapes 3 et 4.
- Si vous effectuez l'installation sur une surface en bois, percez un trou avec un foret de 1/4 po à l'endroit déterminé. Introduisez la cheville d'ancrage dans le trou. Installez ensuite l'étrier avec la vis fournie (reportez-vous à la figure 2).
ASTUCE : Si vous installez une vanne reminéralisante, complétez la procédure de montage de celle-ci avant de poursuivre.
- Raccordez l'extrémité (1) du tuyau en polyéthylène blanc de 3/8 po à la valve de l'adaptateur en T en dévissant l'écrou, puis en le faisant glisser sur le tuyau. Introduisez ensuite le tuyau souple dans le manchon en poussant fortement. Assurez-vous que le tuyau est bien appuyé dans le fond du raccord avant de serrer l'écrou.
NOTE : Serrez l'écrou soigneusement pour éviter d'abîmer les filets (reportez-vous à la figure 3).
ASTUCE : Nous vous conseillons de rincer le tuyau d'alimentation avant de raccorder le préfiltre. Utilisez un petit seau pour récupérer l'eau. Ouvrez ensuite brièvement la valve d'arrêt de l'adaptateur en T, puis refermez-la.
- Raccordez une extrémité de chaque tuyau en polyéthylène de 3/8 po (dont vous avez déterminé la position au moment de la sélection de l'emplacement du préfiltre) aux extrémités (2) et (3) du préfiltre (reportez-vous à la figure 4 pour orienter le préfiltre correctement). Enfoncez chaque tuyau dans l'extrémité du préfiltre jusqu'à ce que le repère de profondeur d'insertion ne soit plus visible. Insérez ensuite la plaque de verrouillage du raccord rapide dans les fentes situées de part et d'autre du préfiltre.
NOTE : La flèche indique le sens d'écoulement de l'eau.
- Retirez le bouchon obturateur de l'eau d'admission. Consultez la figure 4 (4).
- Raccordez l'extrémité (4) dans l'entrée d'eau du système à osmose inverse jusqu'à ce que le repère de profondeur d'insertion ne soit plus visible. Introduisez ensuite la plaque de verrouillage du raccord rapide dans la rainure du raccord rapide (reportez-vous à la figure 4).
- Assurez-vous que tous les tuyaux sont introduits à fond dans leur raccord et qu'ils sont fixés solidement.

Figure 1

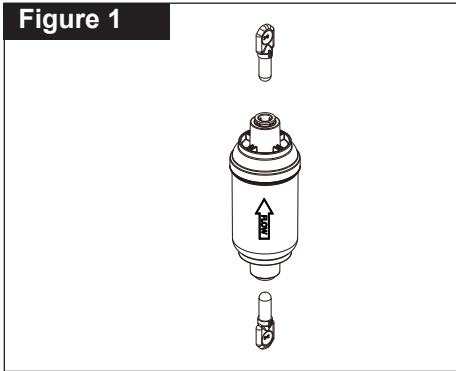


Figure 2

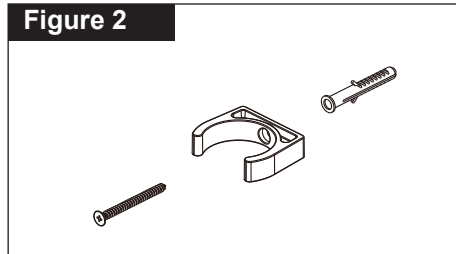


Figure 3

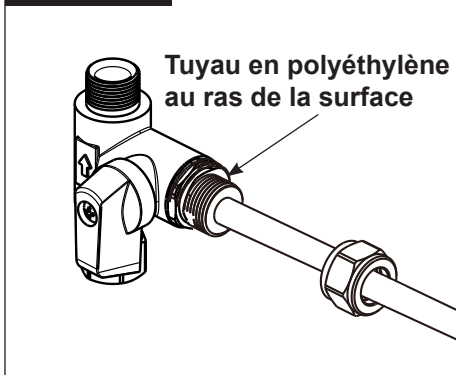
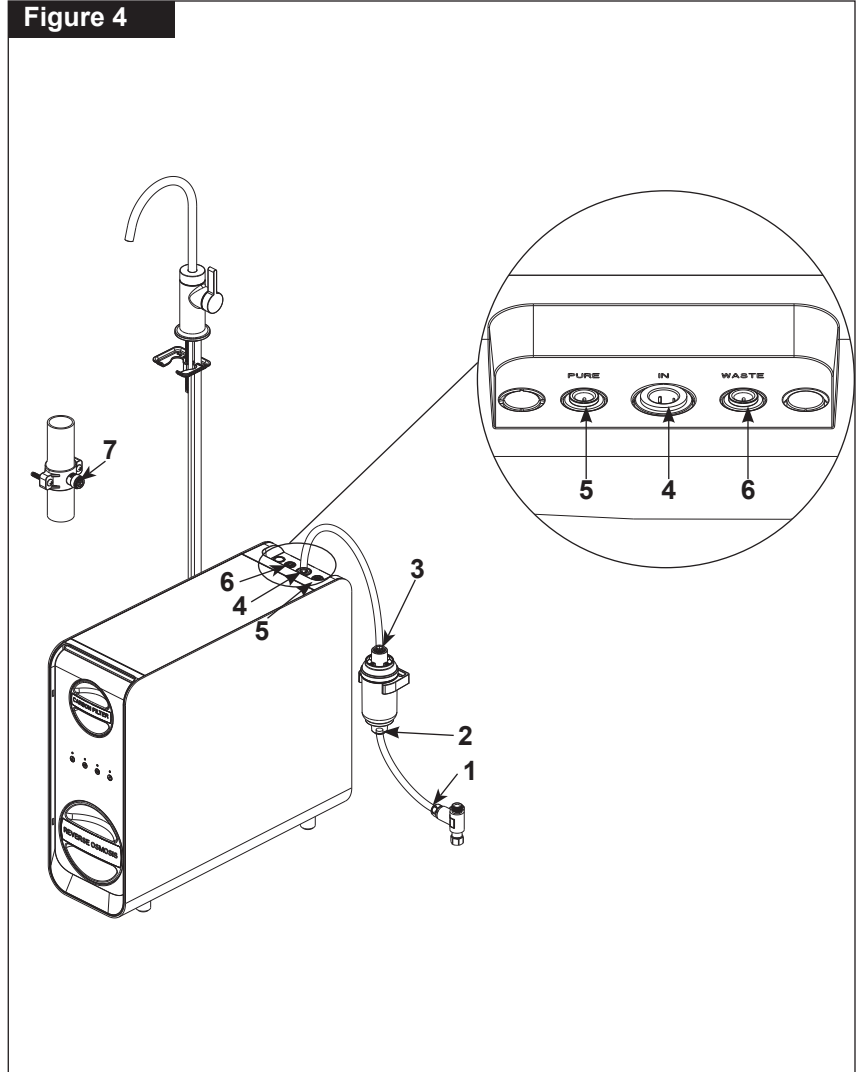


Figure 4



⚠ AVERTISSEMENT

La sortie d'eau résiduelle doit être raccordée au renvoi de l'évier et le tuyau doit être fixé solidement. N'utilisez pas un dispositif de stockage pour recueillir l'eau résiduelle et éliminer le cycle de rinçage automatique du système de filtration car cela entraînera un débordement.

5B. Installation du tuyau d'eau résiduelle

1. Installations avec dispositif de coupure antiretour :

- Si le robinet est muni d'un dispositif de coupure antiretour, consultez les instructions d'installation du fabricant

NOTE: Certains robinets sont munis de tuyaux d'alimentation à leur sortie de l'usine. Si c'est le cas de votre robinet, vous n'aurez peut-être pas besoin de tous les tubes fournis avec votre système.

2. Installations sans dispositif de coupure antiretour :

- Introduisez le raccord réducteur dans le raccord de renvoi à sellette.
- Retirez le bouchon obturateur de l'eau usée. Consultez la figure 5 (6). Raccordez une extrémité du tuyau d'eau résiduelle rouge en polyéthylène de 1/4 po dans la sortie d'eau résiduelle (6) de l'appareil (reportez-vous à la figure 5).
- Introduisez l'autre extrémité du tuyau d'eau résiduelle rouge en polyéthylène de 1/4 po dans le raccord de renvoi à sellette (7) muni du raccord réducteur (reportez-vous à la figure 5).
- Après avoir introduit le tuyau à fond dans le raccord rapide, introduisez la plaque de verrouillage du raccord rapide dans la rainure du raccord rapide (reportez-vous à la figure 6).

Figure 5

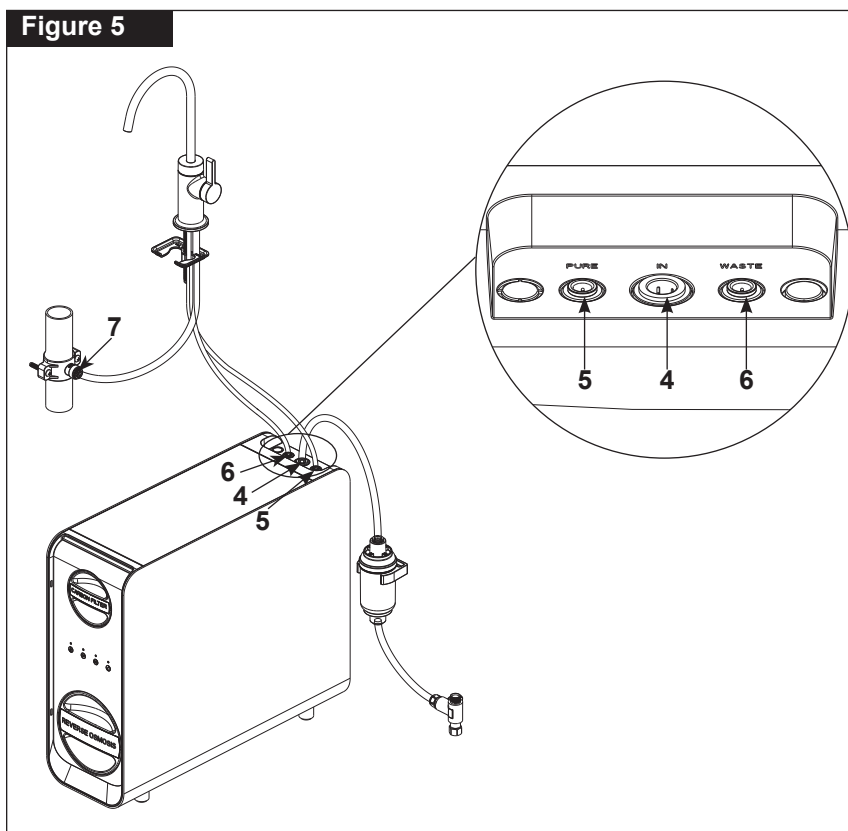
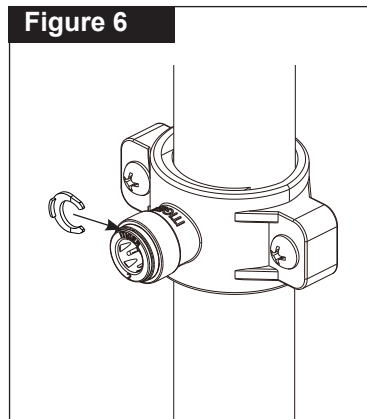


Figure 6



5C. Installation du tuyau d'eau purifiée :

1. Robinets non munis de tuyaux leur sortie de l'usine :

- Remove pure water stop plug. See Figure 5 (5). Introduisez une extrémité du tuyau en polyéthylène blanc de 1/4 po dans la sortie d'eau purifiée (5) du dispositif de filtration (reportez-vous à la figure 5). Insérez ensuite la plaque de verrouillage du raccord rapide dans la fente.
- Raccordez ensuite l'autre extrémité du tuyau en polyéthylène blanc de 1/4 po à votre robinet. Consultez les instructions du fabricant pour effectuer l'installation correctement.

2. Robinets munis de tuyaux à leur sortie de l'usine :

- Retirez le bouchon obturateur de l'eau pure. Consultez la figure 5 (5). Si le robinet est muni de tuyaux à sa sortie de l'usine, veuillez consulter les instructions du fabricant pour le raccordement à la sortie d'eau purifiée (5) du dispositif de filtration (reportez-vous à la figure 5).

NOTE: Pour les robinets munis de tuyaux à leur sortie de l'usine, vous n'aurez peut-être pas besoin de tous les tubes fournis avec le système.

- Après avoir raccordé le tuyau, introduisez la plaque de verrouillage du raccord rapide dans la rainure du raccord rapide (reportez-vous à la figure 6).
- Pour les robinets dont les tuyaux intégrés ne sont pas assez longs pour atteindre l'appareil, vous pourrez avoir besoin de l'adaptateur Push de 1/4 po x 1/4 po pour allonger le tuyau.

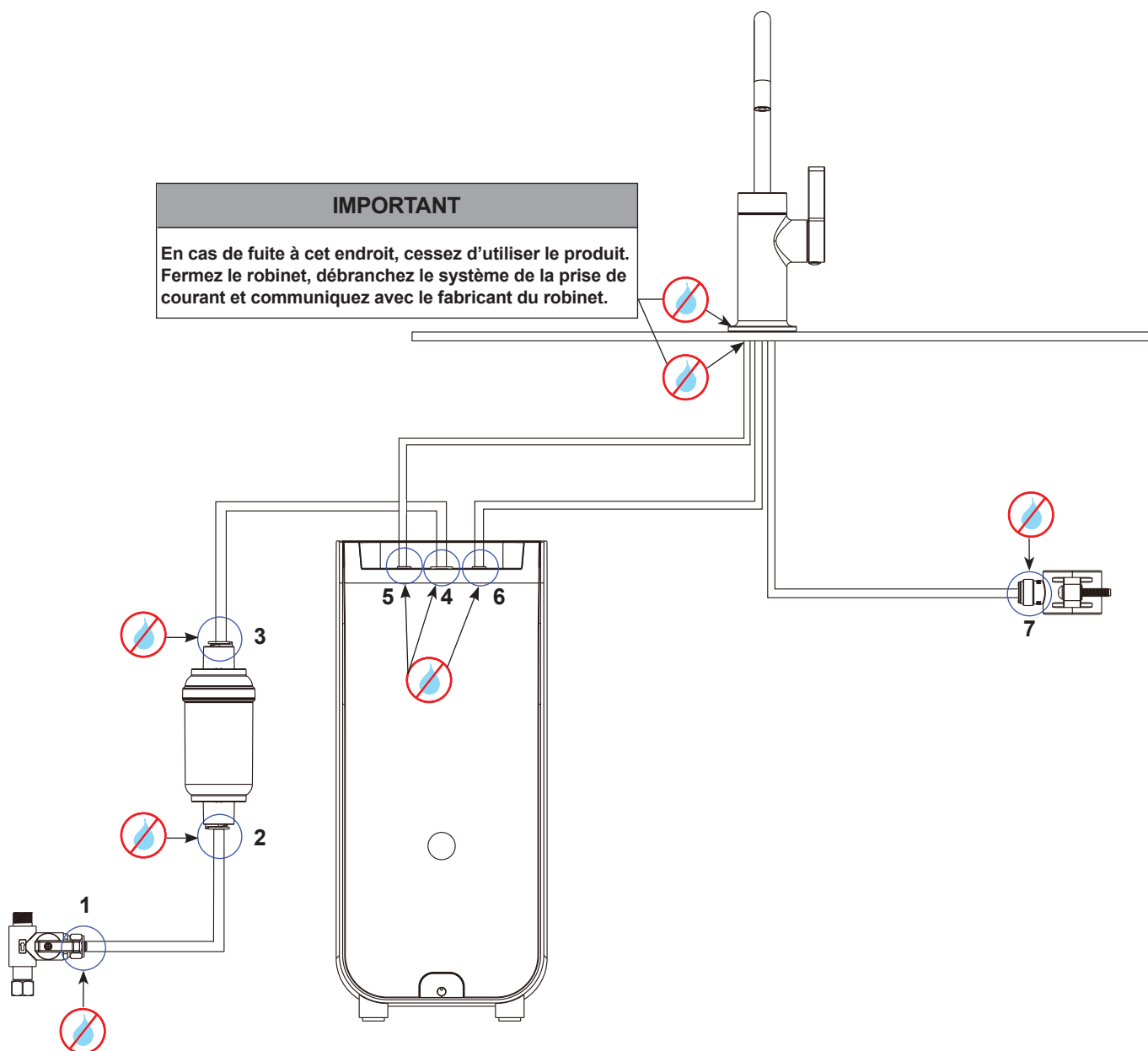
5D. MISE EN MARCHÉ DU SYSTÈME DE FILTRATION

1. Assurez-vous d'avoir réalisé tous les raccordements de la manière décrite dans la section d'installation.
2. Assurez-vous que toutes les cartouches de filtration sont installées et verrouillées en place. Consultez la figure 1 de la section qui porte sur le remplacement des cartouches de filtration pour vous assurer que les cartouches sont montées dans le bon sens.
NOTE : Vous devez entendre un clic une fois que la cartouche est introduite à fond.
3. Assurez-vous que la poignée du robinet de boissons est en position fermée.
4. Ouvrez le robinet d'alimentation en eau froide et la valve d'arrêt de l'adaptateur en T du tuyau d'arrivée d'eau.
5. Branchez le cordon d'alimentation dans la prise de courant. L'appareil débutera un cycle de rinçage automatique de 5 minutes.

NOTE: Cet appareil a une consommation minimale de 80 W. Assurez-vous que l'alimentation disponible à la prise de courant est suffisante pour le faire fonctionner en toute sécurité. Consultez la section de dépannage si vous éprouvez des problèmes d'alimentation électrique.

Une fois que tous les branchements ont été effectués, inspectez le système visuellement pour en vérifier l'étanchéité (consultez le schéma du système ci-dessous pour voir quels sont les points à inspecter).

Après vous être assuré de l'étanchéité de tous les raccords, passez à la section PREMIÈRE UTILISATION avant d'utiliser votre système.

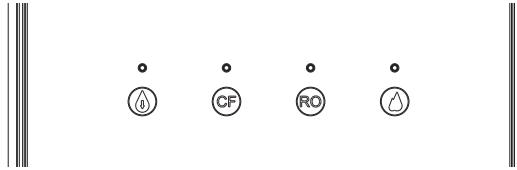


6

PREMIÈRE UTILISATION

Rinçage

- Ouvrez le robinet pour commencer à rincer le système manuellement
- Rincez les cartouches pendant environ 30 minutes pour les conditionner avant de boire l'eau.
NOTE: Au cours du rinçage, le voyant de filtration de l'eau clignote en bleu et, une fois le rinçage terminé, il demeure allumé. Lorsque le système n'est pas utilisé, le voyant de filtrage de l'eau est éteint.
- Au cours du cycle de rinçage, il est important de surveiller le système soigneusement. Faites une inspection visuelle pour détecter des fuites et vous assurer de l'étanchéité de tous les composants du système. **CONSEIL :** Essuyez chaque raccord avec un mouchoir de papier et vérifiez s'il y a de l'humidité sur le mouchoir
- Une fois le rinçage manuel terminé, vous pouvez fermer le robinet. S'il n'y a pas de fuites, le système est prêt à être utilisé!
NOTE: Au cours du rinçage, si l'utilisateur ferme la sortie d'eau purifiée du robinet, le système poursuivra le cycle de rinçage au moment de la mise sous tension subséquente.



PANNEAU D'AFFICHAGE

PREMIÈRE INITIALISATION : Après la mise sous tension, l'avertisseur sonore fonctionne pendant 0,1 seconde et les différents voyants s'allument simultanément. Les voyants d'état en couleur (bleu, violet et rouge) s'allument l'un après l'autre et demeurent allumés pendant environ 1 seconde. Le voyant monochrome demeure allumé pendant 3 secondes.

EN COURS D'UTILISATION : Lorsque le système est en cours d'utilisation, le voyant de filtration de l'eau est bleu et il demeure allumé pendant que le système purifie l'eau.

EN ATTENTE : Le voyant de filtration de l'eau est éteint, mais tous les autres voyants continuent d'indiquer l'état de fonctionnement du filtre.

RINÇAGE : Pendant la durée utile de votre système, celui-ci effectuera des rinçages automatiquement. Au cours du rinçage, le voyant d'eau filtrée clignotera.

- Environ 5 minutes après l'utilisation, le système à osmose inverse effectuera un autonettoyage.
- Après l'accumulation de 2 heures d'utilisation, le système à osmose inverse débutera un rinçage qui durera environ 20 secondes.
- Après 12 heures d'inutilisation, le système débutera un rinçage qui durera environ 60 secondes.

NOTE: Si, pendant le rinçage, vous utilisez de l'eau filtrée, l'appareil cessera le rinçage et fournira de l'eau propre.

MISE SOUS TENSION : Après une coupure de courant, un bip se fait entendre, les voyants s'allument et l'appareil fait un bref rinçage d'environ 20 secondes.

RAPPEL POUR LE REMPLACEMENT DES CARTOUCHES

Les voyants d'état des cartouches de filtration sur l'avant du panneau d'affichage vous aident à déterminer quand les cartouches doivent être remplacées. Le tableau ci-dessous indique la couleur du voyant et le son qui correspondent à chacun des états des cartouches de filtration.

ÉTAT AFFICHÉ :

| État | Durée restante (jours) | Capacité restante (gal.) | Voyant | Tonalité |
|----------------------|------------------------|--------------------------|--------|---|
| Normal | >21 | >53 | Blue | S.O. |
| Remplacer bientôt | ≤21 | ≤53 | Violet | Deux bips lorsque l'appareil fournit de l'eau |
| Remplacer maintenant | ≤0 | ≤0 | Rouge | Bips lorsque l'appareil fournit de l'eau |

* Les voyants vous indiquent que les filtres doivent être remplacés selon le volume d'eau utilisé ou le temps écoulé, selon la première éventualité.

ENTRETIEN ET MAINTENANCE

La durée utile des cartouches de filtration dépend de la qualité de l'eau dans votre région.

Si la cartouche de filtration est colmatée ou elle devient inutilisable prématurément, remplacez-la.

Si le système de filtration ne sera pas utilisé pendant plus D'UN MOIS (c'est-à-dire que l'appareil ne sera pas sous tension ou que le robinet d'alimentation sera fermé), retirez la cartouche de filtration au charbon et la cartouche de filtration à osmose inverse, puis enveloppez-les dans de la pellicule de plastique ou placez-les dans un sac de plastique. Mettez-les ensuite au réfrigérateur pour ralentir la croissance des bactéries. NE LES METTEZ PAS au congélateur. Vous n'avez pas besoin de débrancher le préfiltre avant un arrêt prolongé.

Si pour une raison quelconque, vous débranchez le préfiltre et le laissez au repos, nous vous recommandons de le remplacer immédiatement.

Pour bien préparer votre système pour un arrêt prolongé :

- Ouvrez le robinet.
- Coupez l'alimentation en eau à l'adaptateur en T.
- Laissez l'eau s'écouler du système.
- Débranchez l'appareil de la source d'alimentation électrique.
- Fermez le robinet.

Au moment de la remise en marche du système, vous devez effectuer un rinçage manuel. Installez les cartouches de filtration et laissez circuler l'eau pendant 10 minutes dans le système à osmose inverse avant d'utiliser l'eau filtrée, autrement vous devez remplacer les cartouches avant d'utiliser l'appareil de nouveau.

REPLACEMENT DE LA CARTOUCHE DE FILTRATION AU CHARBON ET DE LA CARTOUCHE DE FILTRATION À OSMOSE INVERSE

1. Assurez-vous que le robinet est fermé et le voyant indique que le système est en mode d'attente (voyant éteint et pas de clignotement).
2. Saisissez la manette et tournez la cartouche dans le sens antihoraire.
3. Tirez sur la cartouche pour l'extraire de l'appareil.
NOTE : En raison du relâchement de la pression, quelques gouttes d'eau peuvent s'écouler au moment où vous enlevez la cartouche. Pour limiter l'égouttement, tenez la cartouche à la verticale de manière que la manette se trouve orientée vers le bas.
4. Retirez le capuchon protecteur de l'embout de raccord du filtre. Introduisez la cartouche neuve dans l'appareil de filtration, extrémité comportant le raccord en premier (reportez-vous à la figure 1).
5. Tournez la cartouche dans le sens horaire en exerçant une légère pression sur celle-ci jusqu'à ce qu'elle se bloque en place.
NOTE : La face de la cartouche doit se trouver à l'horizontale.
6. Répéter les étapes 2 à 5 pour l'autre cartouche.
7. Enfoncez le voyant de durée utile de la cartouche de filtration au charbon et maintenez-le enfoncé pendant 5 secondes. Le voyant passera au bleu et vous entendrez 1 bip. Enfoncez immédiatement le voyant de durée utile de la cartouche de filtration à osmose inverse et maintenez-le enfoncé pendant 5 secondes. Le voyant passera au bleu et vous entendrez un bip. Par la suite, le cycle de rinçage automatique débutera et il durera environ 5 minutes.
8. Ouvrez le robinet et effectuez un rinçage d'une durée de 30 minutes après avoir monté la cartouche de filtration au charbon neuve et la cartouche de filtration à osmose inverse neuve.
9. Votre eau est prête à être utilisée!

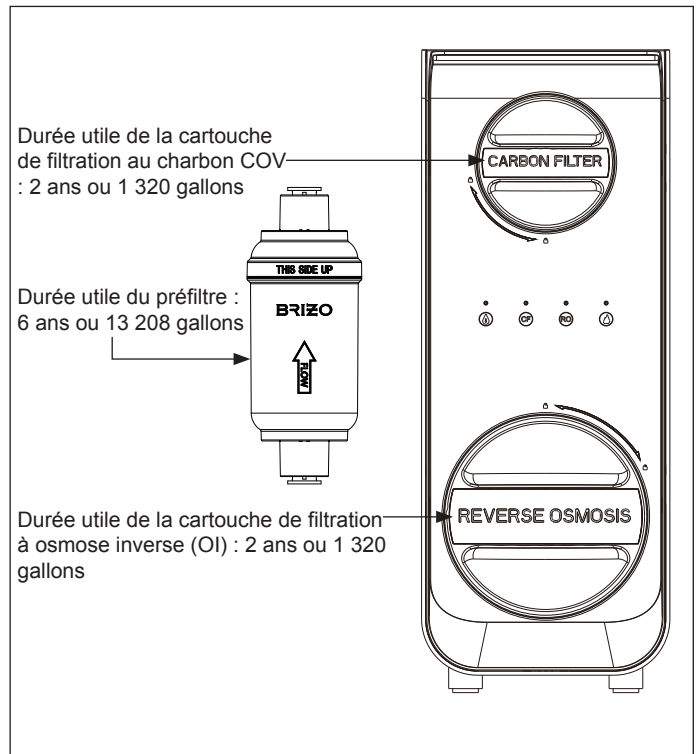
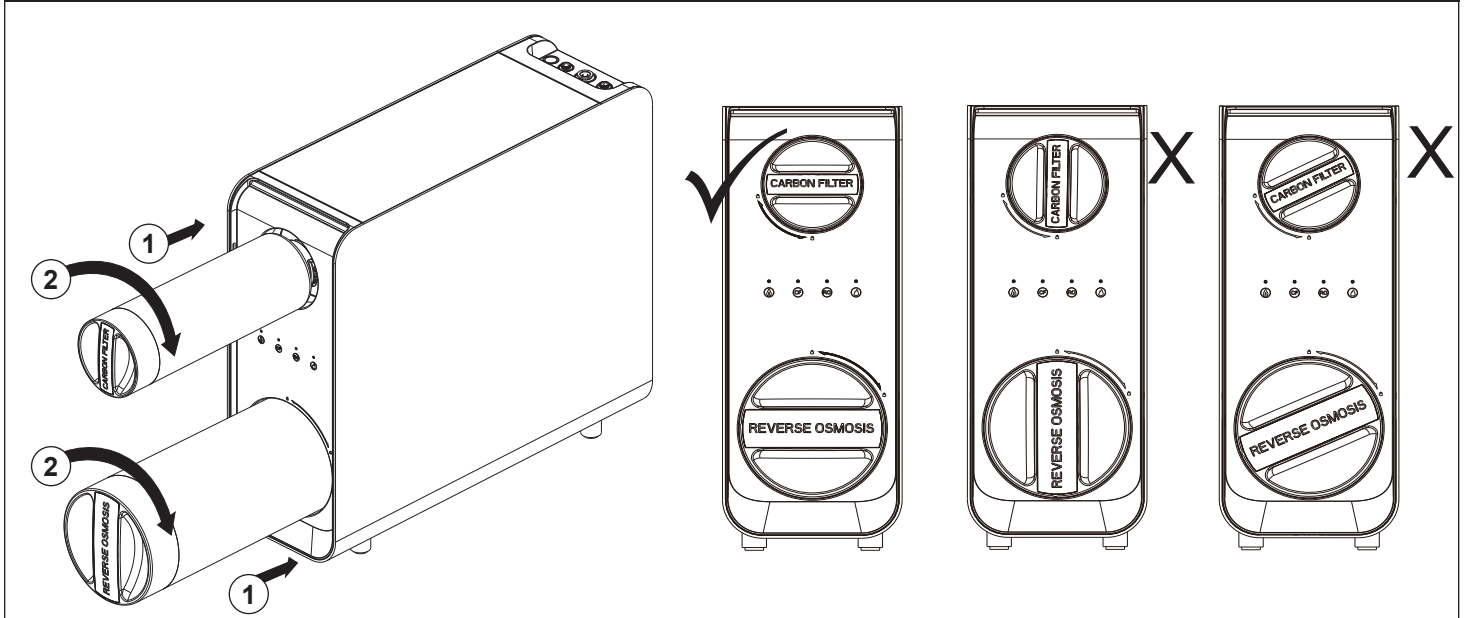
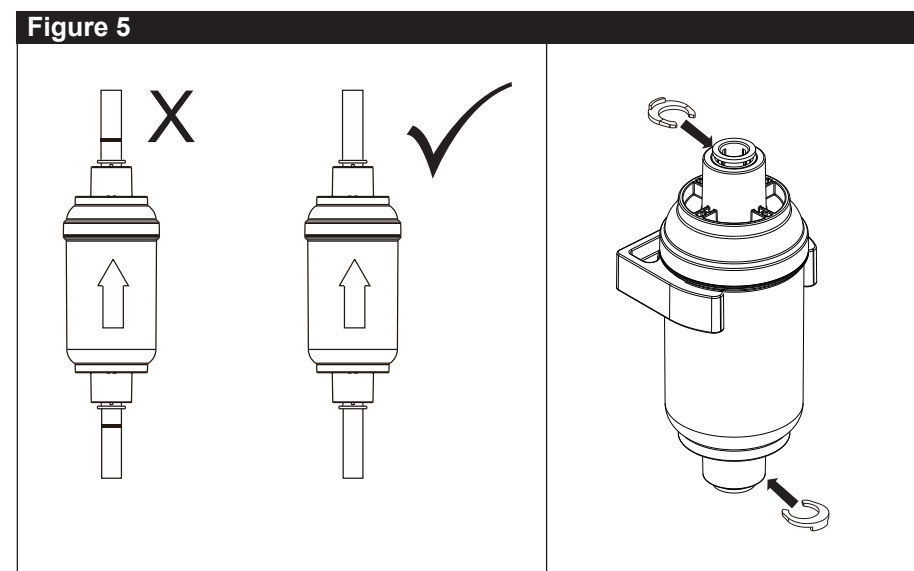
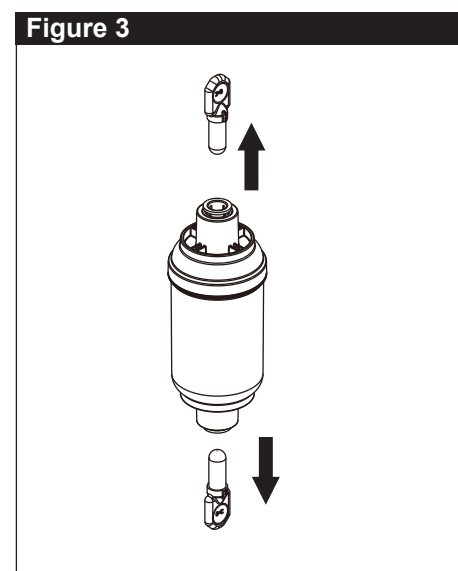
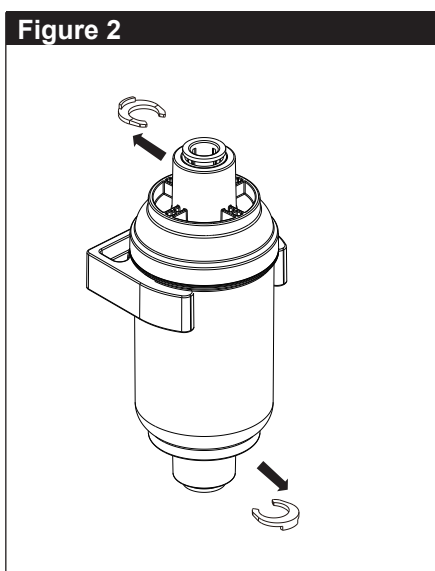
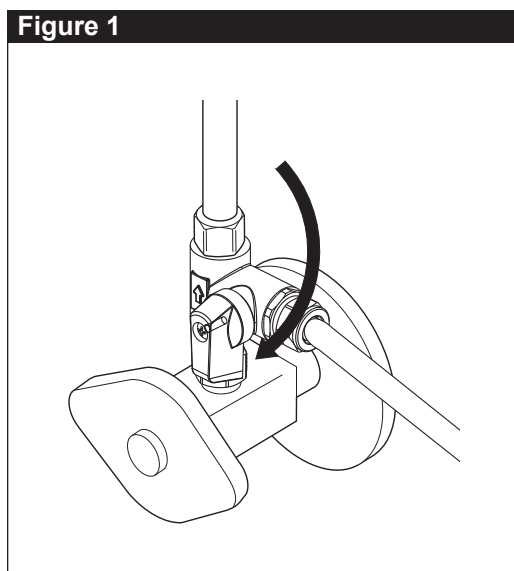


Figure 1



REPLACEMENT DU PRÉFILTRE

1. Fermez le robinet d'alimentation en eau froide (reportez-vous à la figure 1).
2. Ouvrez le robinet de l'évier de cuisine pour évacuer l'eau et relâcher la pression dans la tuyauterie.
3. Débranchez l'appareil de la source d'alimentation électrique.
4. Retirez la plaque de verrouillage du raccord rapide de l'extrémité du filtre (reportez-vous à la figure 2). Maintenez l'anneau blanc vers le bas contre le raccord tout en tirant le tube vers l'extérieur. Répétez l'étape 4 pour l'autre extrémité.
5. Inspectez visuellement les extrémités des tuyaux pour vous assurer qu'elles sont exemptes d'ébarbures et qu'elles ne sont pas endommagées.
6. Saisissez le filtre neuf et enlevez les bouchons (reportez-vous à la figure 3).
7. Assurez-vous que le filtre se trouve dans le bon sens (reportez-vous à la figure 4) et réinsérez l'extrémité des tuyaux dans les raccords Push.
8. Assurez-vous que les repères de profondeur d'insertion ne sont pas visibles et que les tuyaux ne sont pas entortillés. Une fois que les tuyaux sont bien enfoncés dans le raccord rapide, introduisez la plaque de verrouillage dans la rainure du raccord rapide (reportez-vous à la figure 5).
9. Ouvrez le robinet d'alimentation et branchez l'appareil dans la source d'alimentation électrique.
10. Au moment de la mise en marche de l'appareil, effectuez une inspection visuelle pour vous assurer qu'il n'y a pas de fuites.
11. Le préfiltre est prêt à utiliser.



GUIDE DE DÉPANNAGE
Appelez-nous au 1-877-345-BRIZO (2749)

| Problème | Cause probable | Solution |
|---|--|--|
| Bruit en cours d'utilisation | <ul style="list-style-type: none"> • L'appareil produit un faible bruit pendant qu'il fonctionne. • L'appareil est appuyé contre un tuyau. • L'appareil n'est pas de niveau. | <ul style="list-style-type: none"> • C'est normal. • Écartez l'appareil de la paroi de l'armoire et de la tuyauterie. • Placez l'appareil sur une surface plane de niveau. |
| Signal sonore (bips) en cours d'utilisation | <ul style="list-style-type: none"> • L'appareil à osmose inverse vous avertit lorsque les cartouches de filtration arrivent en fin de durée utile. Vous pouvez alors entendre un signal sonore (bips) d'intensité moyenne pendant que l'appareil fonctionne. | <ul style="list-style-type: none"> • Remplacez les cartouches de filtration (reportez-vous à la page 14 pour obtenir plus de renseignements). |
| Un signal sonore (bips) se fait entendre après plus de 30 minutes d'utilisation continue. | <ul style="list-style-type: none"> • Si le temps de fonctionnement excède 33 minutes le mode de protection s'enclenche. (Le signal sonore (bips) est interrompu, le voyant de filtration s'éteint et les voyants de durée utile des cartouches de filtration clignotent en rouge.) • Les tuyaux souples sont mal installés. • Si le robinet n'est pas ouvert depuis plus de 33 minutes, il peut y avoir une fuite entre l'appareil et le robinet (ou le distributeur d'eau). • Si le robinet n'est pas ouvert depuis plus de 33 minutes et vous êtes incapable de trouver une fuite. | <ul style="list-style-type: none"> • Débranchez l'appareil et rebranchez-le. • Assurez-vous que le tuyau d'alimentation du robinet est raccordé à la bonne sortie de l'appareil. • Inspectez visuellement toute la tuyauterie afin de déceler des fuites. • Communiquez avec notre Service à la clientèle. |
| L'eau a le même goût que l'eau du robinet. | <ul style="list-style-type: none"> • Installation incorrecte du tuyau. • Les cartouches filtrantes doivent être remplacées. | <ul style="list-style-type: none"> • Confirmez que la conduite d'alimentation du robinet est installée sur la bonne sortie de l'unité. • Commandez de nouveaux filtres et remplacez-les dès que possible. |
| Il y a une fuite d'eau. | <ul style="list-style-type: none"> • Installation incorrecte. <ul style="list-style-type: none"> • Raccords Push (examinez les instructions à suivre pour obtenir une coupe droite). • Raccords filetés • Composant abîmé. | <ul style="list-style-type: none"> • Inspectez visuellement tous les raccords réalisés par l'utilisateur. • Coupez l'alimentation en eau et l'alimentation électrique. Inspectez tous les composants visuellement pour déceler la présence d'eau. Communiquez avec notre Service à la clientèle. |
| Le système ne fournit pas d'eau. | <ul style="list-style-type: none"> • Le système est sous tension est essaie de pomper de l'eau, mais il ne fournit pas d'eau. • Les voyants de durée utile des cartouches de filtration du système clignotent. Rouge avec signal sonore (bips) : il y a de l'eau à l'intérieur du système (le voyant de filtration d'eau est éteint et les voyants de durée utile des cartouches de filtration clignotent en rouge. Un signal sonore (bips) indique à l'utilisateur que de l'eau a été détectée dans l'appareil pendant plus de 3 secondes). • Broutement (démarrages et arrêts fréquents). | <ul style="list-style-type: none"> • Assurez-vous que le robinet d'alimentation en eau froide et la valve d'arrêt sont OUVERTS. • Voyants de durée utile des cartouches de filtration du système : <ul style="list-style-type: none"> • De l'eau est-elle répandue à l'intérieur du système? Si de l'eau a été répandue sur l'appareil ou à l'intérieur de celui-ci pendant le remplacement ou l'installation des tuyaux souples, épongez-la avec une serviette. S'il y a de l'eau à l'intérieur du système, inclinez-le vers l'avant pour évacuer l'eau. Une fois que l'eau aura été évacuée, le système recommencera à fonctionner normalement. • Si le système demeure en mode d'alarme après que l'eau a été évacuée, communiquez avec notre Service à la clientèle. • Débranchez l'appareil et rebranchez-le. |
| Le système est utilisé avec un réfrigérateur. | <ul style="list-style-type: none"> • Dans certains applications avec un réfrigérateur, un broutement se produit au moment où le système tente de fournir de l'eau filtrée. | <ul style="list-style-type: none"> • Vous devrez peut-être monter un réservoir-tampon dans le tuyau d'eau filtrée pour atténuer le broutement. Si vous avez le manuel du propriétaire de votre réfrigérateur, consultez la section qui traite du raccordement d'un système à osmose inversée au distributeur d'eau. Si vous avez besoin d'aide supplémentaire, communiquez avec le Service à la clientèle. |

| | | |
|---|--|--|
| <p>L'appareil n'est pas sous tension.</p> | <ul style="list-style-type: none"> • La prise de courant dans laquelle l'appareil est branché n'est pas sous tension. • Le disjoncteur différentiel de fuite à la terre (DDFT) s'est déclenché. • Le circuit est surchargé. • L'appareil est endommagé. | <ul style="list-style-type: none"> • Assurez-vous que la prise de courant est sous tension et que l'interrupteur de l'appareil est à « On » le cas échéant. • Réenclenchez le DDFT. Si le problème persiste, communiquez avec un électricien. • Le disjoncteur peut se déclencher s'il y a trop d'appareils branchés sur le même circuit • Assurez-vous que l'appareil est alimenté en courant en le branchant dans une prise de courant dont vous avez la certitude qu'elle est sous tension. Si l'appareil ne se met pas en marche, communiquez avec le Service à la clientèle. |
| <p>Il n'y a pas d'eau qui s'écoule du robinet de l'appareil à osmose inverse ou le débit est très faible.</p> | <ul style="list-style-type: none"> • Les cartouches de filtration doivent être remplacées (vérifiez les voyants de durée utile des cartouches pour voir si celles-ci doivent être remplacées). • Le robinet d'alimentation et la valve d'arrêt ne sont pas OUVERTS. • La pression d'eau est trop faible ou la température de l'eau est trop basse. • Un tuyau souple empêche l'eau de s'écouler • Le préfiltre est colmaté. | <ul style="list-style-type: none"> • Remplacez les cartouches de filtration. • Assurez-vous que le robinet d'alimentation en eau froide, la valve d'arrêt de l'adaptateur en T et le robinet sont COMPLÈTEMENT OUVERTS. • Assurez-vous que la pression d'eau d'alimentation satisfait aux exigences (p. 3). NOTE : Une pression d'eau et une température peu élevées peuvent avoir un effet sur le débit. • Inspectez visuellement tous les tuyaux souples pour voir si des sections sont pincées ou entortillées. Détortillez les tuyaux ou remplacez-les au besoin. • Pour décolmater le préfiltre, inversez la circulation de l'eau temporairement. Consultez la section qui porte sur le remplacement du préfiltre (p. 16) pour déposer et rincer le préfiltre. Rebranchez le préfiltre (ne le branchez pas à l'appareil et utilisez un seau), puis rincez-le pendant 5 à 10 secondes (faites couler l'eau lentement). Remettez le filtre dans sa position initiale en vous guidant sur la flèche pour déterminer le sens d'écoulement. Assurez-vous que le débit est normal de nouveau. |
| <p>La température de l'eau est inférieure à 37°F (3°C).</p> | <ul style="list-style-type: none"> • Si la température à l'entrée ou à la sortie du système tombe sous 37°F (3°C), le système cesse de fonctionner automatiquement. (Le voyant de filtration d'eau s'éteint et les voyants de durée utile des cartouches de filtration clignotent en rouge. Un signal sonore (bips) avertit l'utilisateur.) | <ul style="list-style-type: none"> • Lorsque la température de l'eau est revenue à la normale (au-dessus de 37°F (3°C), débranchez l'appareil et rebranchez-le. |
| <p>Le voyant de l'appareil indique une forte teneur totale en matières dissoutes (TTMD).</p> | <ul style="list-style-type: none"> • Le système n'as pas été utilisé depuis longtemps. • L'eau d'alimentation peut avoir une TTMD élevée. • Une cartouche de filtration peut être endommagée. • Des tuyaux souples peuvent être mal installés. | <ul style="list-style-type: none"> • Effectuez un rinçage manuel de l'ensemble du système pendant environ 10 minutes. La TTMD devrait retourner à la normale. • Analyser l'eau d'alimentation et l'eau filtrée. La TTMD de l'eau filtrée devrait correspondre à environ 5 à 10 % de la TTMD de l'eau d'alimentation. Une TTMD de l'eau d'alimentation élevée peut réduire la durée utile des cartouches de filtration. Remplacez les filtres si la TTMD de l'eau filtrée dépasse 15 à 20 %. • Remplacez la cartouche de filtration. • Assurez-vous que le tuyau d'alimentation du robinet est raccordé à la bonne sortie de l'appareil. |

Garantie limitée des systèmes de filtration d'eau Brizo®

Ce système de filtration d'eau Brizo® bénéficie d'une garantie contre les défauts de matériaux et de fabrication accordée à l'acheteur initial ou à l'utilisateur commercial, selon le cas, pour la période applicable précisée ci-dessous :

Appareils de filtration de l'eau, boîtiers et composants: Cinq (5) ans à compter de la date de réception du produit par l'acheteur initial ou son représentant autorisé (entrepreneur en installation, etc.).

Cartouches filtrantes (y compris les préfiltres, les reminéralisateurs et les pièces de rechange): Trente (30) jours à compter de la date de réception du produit par l'acheteur initial ou son représentant autorisé (entrepreneur en installation, etc.).

Notre engagement: Brizo Kitchen and Bath Company réparera ou remplacera gratuitement, pendant la période de garantie applicable (telle que décrite ci-dessus), toute pièce qui s'avère défectueuse en raison d'un défaut de matériau ou de fabrication dans des conditions normales d'installation, d'utilisation et d'entretien. Brizo Kitchen and Bath Company peut, à sa seule discrétion, utiliser des pièces ou des produits neufs, remis à neuf ou recertifiés pour effectuer cette réparation ou ce remplacement. Si la réparation ou le remplacement ne s'avère pas possible, Brizo Kitchen and Bath Company peut décider de rembourser le prix d'achat (le retour du produit peut être exigé, à la discrétion de Brizo Kitchen and Bath Company). **Ce sont là les seuls recours dont vous disposez.**

Ce qui n'est pas couvert: Brizo Kitchen and Bath Company n'étant pas en mesure de contrôler la qualité des produits Brizo vendus par des vendeurs non autorisés, ces produits ne sont pas couverts par la présente garantie, à moins que la loi ne l'interdise.

Les frais de main-d'œuvre encourus par l'acheteur pour réparer, remplacer, installer ou retirer ce produit ne sont pas couverts par cette garantie. Brizo Kitchen and Bath Company n'est pas responsable des dommages résultant d'une usure raisonnable, d'une utilisation à l'extérieur, d'une mauvaise utilisation (y compris l'utilisation du produit pour une application non prévue), d'un usage abusif, de la négligence ou d'une installation, d'un entretien ou d'une réparation incorrects ou mal effectués, y compris le non-respect des instructions d'entretien et de nettoyage applicables. Brizo Kitchen and Bath Company recommande de faire appel à un plombier professionnel pour toute installation ou réparation. Nous vous recommandons également de n'utiliser que des pièces de rechange Brizo® authentiques.

Ce qu'il faut faire pour obtenir un service de garantie ou des pièces de rechange: Pour faire une réclamation sous garantie et obtenir des pièces de rechange, il suffit d'appeler le 1 (877) 345-2749 ou de nous contacter par courrier ou en ligne en procédant comme suit (veuillez inclure le numéro de modèle, la date de l'achat original et le document attestant de la date de réception du produit par l'acheteur original ou son représentant autorisé (entrepreneur en installation, etc.) :

Aux États-Unis :

Brizo Kitchen and Bath Company

55 E. 111th Street

Indianapolis, Indiana 46280

Attention : Service de garantie

<https://www.brizo.com/customer-support/contact-us>

La preuve d'achat (reçu de caisse original indiquant la date d'achat) et le document attestant de la date de réception du produit par l'acheteur original ou son représentant autorisé (entrepreneur en installation, etc.) doivent être fournis à Brizo Kitchen and Bath Company pour toute réclamation sous garantie, à moins que l'acheteur n'ait enregistré le produit auprès de Brizo Kitchen and Bath Company. Cette garantie ne s'applique qu'aux produits installés aux États-Unis d'Amérique.

Limitation de la durée des garanties tacites. Veuillez noter que certains États ne permettent pas de limiter la durée d'une garantie tacite, de sorte que les limitations ci-dessous peuvent ne pas s'appliquer à votre cas. DANS LA MESURE MAXIMALE AUTORISÉE PAR LA LOI EN VIGUEUR, TOUTE GARANTIE TACITE, Y COMPRIS LES GARANTIES TACITES DE QUALITÉ MARCHANDE ET D'ADÉQUATION À UN USAGE PARTICULIER, EST LIMITÉE À LA PÉRIODE STATUTAIRE OU À LA DURÉE DE LA PRÉSENTE GARANTIE, LA DURÉE LA PLUS COURTE ÉTANT RETENUE.

Limitation des dommages particuliers, accessoires ou consécutifs. Veuillez noter que certains États n'autorisent pas l'exclusion ou la limitation des dommages particuliers, accessoires ou consécutifs, de sorte que les limitations et exclusions ci-dessous peuvent ne pas s'appliquer à votre cas. DANS LA MESURE MAXIMALE PERMISE PAR LA LOI EN VIGUEUR, CETTE GARANTIE NE COUVRE PAS, ET BRIZO KITCHEN AND BATH COMPANY NE SERA PAS TENUE RESPONSABLE DES DOMMAGES PARTICULIERS, ACCESSOIRES OU CONSÉCUTIFS (Y COMPRIS LES FRAIS DE MAIN-D'ŒUVRE POUR RÉPARER, REMPLACER, INSTALLER OU RETIRER CE PRODUIT), QU'ILS RÉSULTENT D'UNE VIOLATION DE TOUTE GARANTIE EXPRESSE OU TACITE, D'UNE RUPTURE DE CONTRAT, D'UN DÉLIT CIVIL OU AUTRE. BRIZO KITCHEN AND BATH COMPANY NE SERA PAS TENUE RESPONSABLE DE TOUT DOMMAGE RÉSULTANT D'UNE USURE RAISONNABLE, D'UNE UTILISATION À L'EXTÉRIEUR, D'UNE MAUVAISE UTILISATION (Y COMPRIS L'UTILISATION DU PRODUIT POUR UNE APPLICATION NON PRÉVUE), D'UN USAGE ABUSIF, DE LA NÉGLIGENCE OU D'UNE INSTALLATION, D'UN ENTRETIEN OU D'UNE RÉPARATION INCORRECTS OU MAL EFFECTUÉS, Y COMPRIS LE NON-RESPECT DES INSTRUCTIONS D'INSTALLATION, D'ENTRETIEN ET DE NETTOYAGE APPLICABLES. NOTRE RESPONSABILITÉ TOTALE EN CAS DE VIOLATION DE LA PRÉSENTE GARANTIE LIMITÉE NE PEUT EN AUCUN CAS DÉPASSER LE MONTANT RÉEL QUE VOUS AVEZ PAYÉ POUR LE PRODUIT DÉFECTUEUX.

Droits supplémentaires: Cette garantie vous donne des droits légaux spécifiques, et vous pouvez également disposer d'autres droits qui varient d'une province et d'un État à l'autre.

Ce document est la garantie écrite exclusive de Brizo Kitchen and Bath Company et cette garantie n'est pas transférable.

Pour toute question concernant l'assistance technique, l'installation ou la garantie, veuillez nous contacter comme indiqué ci-dessus ou visiter notre site Web à l'adresse www.brizo.com.

© 2024 Masco Société de l'Indiana